



گیارباکس پارس گرج

سری F



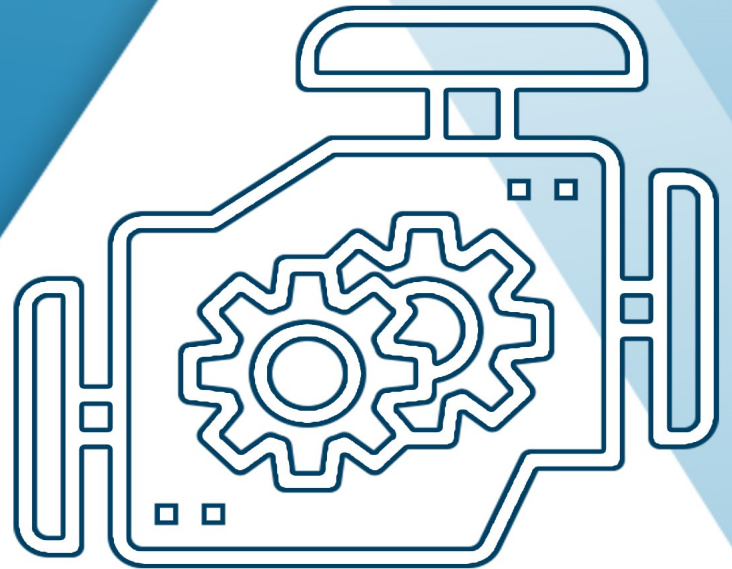
kalasanati.com



[@kalasanati.ir](https://www.instagram.com/kalasanati.ir)



[+982188544230](tel:+982188544230)



Catalog 2021

GEARBOX

www.kalasanati.com



Gearbox

Kalasanati.com



Catalog

kalasanati.com
Training, Selecting, Purchasing

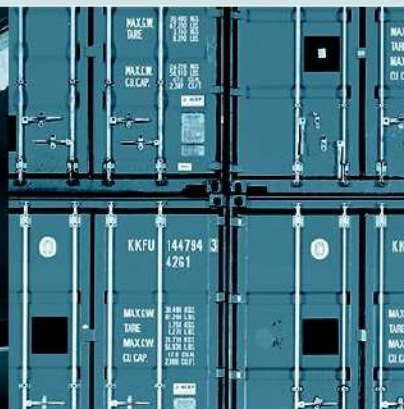
SEW
EURODRIVE

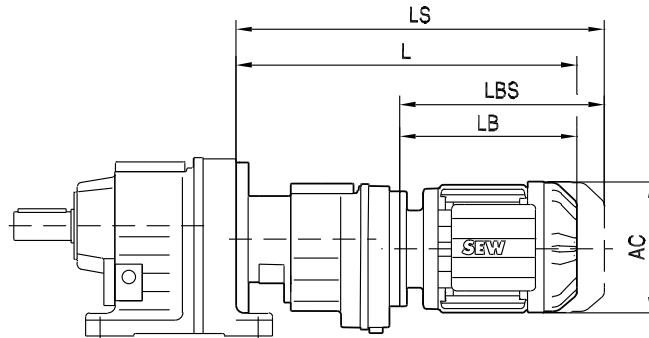
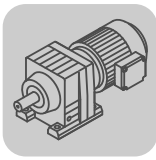


DRS Gearmotors



kalasanati.com
Training, Selecting, Purchasing





(→ 131)		AC	L	LS	LB	LBS
R..27R17	DR63..	132	324	379	149	204
R..37R17	DR63..	132	324	379	149	204
	DR71S..	139	335	403	160	228
R..47R37	DR63..	132	356	411	191	246
R..57R37	DR71S..	139	367	435	202	270
	DR71M	139	392	460	227	295
R..67R37	DR63..	132	356	411	191	246
	DR71S..	139	367	435	202	270
	DR71M	139	392	460	227	295
	DR80S..	156	401	482	236	317
R..77R37	DR63..	132	348	403	191	246
	DR71S..	139	359	427	202	270
	DR71M..	139	384	452	227	295
	DR80S..	156	393	474	236	317
	DR80M..	156	424	505	267	348
R..87R57	DR63..	132	401	456	185	240
	DR71S..	139	412	479	196	263
	DR71M..	139	437	504	221	288
	DR80S..	156	446	527	230	311
	DR80M..	156	477	558	261	342
	DR90M..	179	478	572	262	356
R..97R57	DR63..	132	396	451	185	240
	DR71S..	139	407	474	196	263
	DR71M..	139	432	499	221	288
	DR80S..	156	441	522	230	311
	DR80M..	156	472	553	261	342
	DR90M..	179	473	567	262	356
	DR90L..	179	493	587	282	376
	DR100M..	197	523	617	312	406
R..107R77	DR63..	132	426	481	179	234
	DR71S..	139	437	504	190	257
	DR71M..	139	462	529	215	282
	DR80S..	156	470	551	223	304
	DR80M..	156	501	582	254	335
	DR90M..	179	501	595	254	348
	DR90L..	179	521	615	274	368
	DR100M..	197	551	645	304	398
	DR100LC..	197	581	675	334	428
	R..137R77	DR63..	132	419	474	179
DR71S..		139	430	497	190	257
DR71M..		139	455	522	215	282
DR80S..		156	463	544	223	304
DR80M..		156	494	575	254	335
DR90M..		179	494	588	254	348
DR90L..		179	514	608	274	368

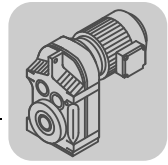
(→ 131)		AC	L	LS	LB	LBS
R..137R77	DR100M..	197	544	638	304	398
	DR100LC..	197	574	668	334	428
	DR132S..	221	619	731	379	491
	DR132M..	221	669	789	429	541
R..147R77	DR63..	132	411	466	179	234
	DR71S..	139	422	489	190	257
	DR71M..	139	447	514	215	282
	DR80S..	156	455	536	223	304
	DR80M..	156	486	567	254	335
	DR90M..	179	486	580	254	348
	DR90L..	179	506	600	274	368
	DR100M..	197	536	630	304	398
	DR100LC..	197	566	660	334	428
	DR132S..	221	611	723	379	491
R..147R87	DR90M..	179	530	624	250	344
	DR90L..	179	550	644	270	364
	DR100M..	197	580	674	300	394
	DR100LC..	197	610	704	330	424
	DR132S..	221	654	766	374	486
	DR132M/MC..	221	704	816	424	536
	DR160..	272	745	882	465	602
R..167R97	DR71M..	139	529	596	204	271
	DR80S..	156	538	619	213	294
	DR80M..	156	569	650	244	325
	DR90M..	179	569	663	244	338
	DR90L..	179	589	683	264	358
	DR100M..	197	619	713	294	388
	DR100LC..	197	649	743	324	418
	DR132S..	221	694	806	369	481
	DR132M/MC..	221	744	856	419	531
	DR160..	272	785	922	460	597
R..167R107	DR90L..	179	649	734	258	352
	DR100M..	197	670	764	288	382
	DR100LC..	197	700	794	318	412
	DR132S..	221	745	857	363	475
	DR132M/MC..	221	795	907	413	525
	DR160..	272	836	973	454	591
	DR180M..	317	922	1121	540	739



Kalasanati.com

F..DRS

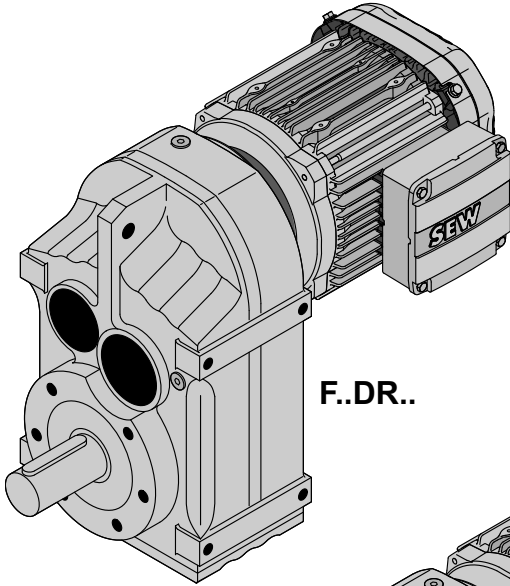
F, FA..(B), FV..(B), FH..(B), FT, FF, FAF, FVF, FHF, FAZ, FVZ..DRS



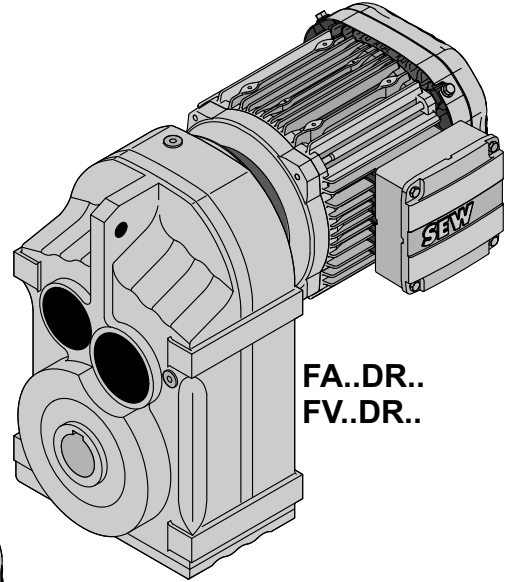
10

10 F..DRS

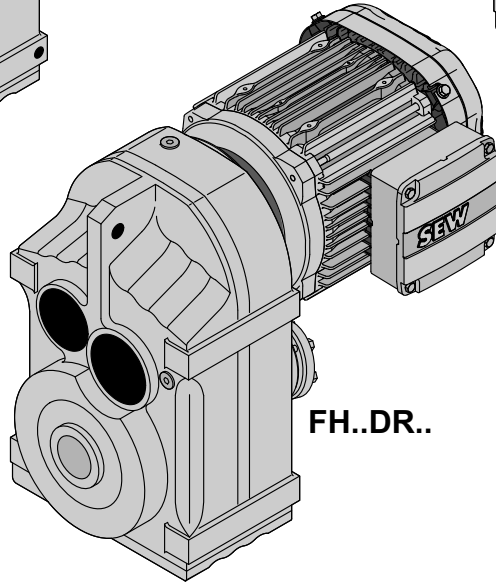
10.1 F, FA..(B), FV..(B), FH..(B), FT, FF, FAF, FVF, FHF, FAZ, FVZ..DRS



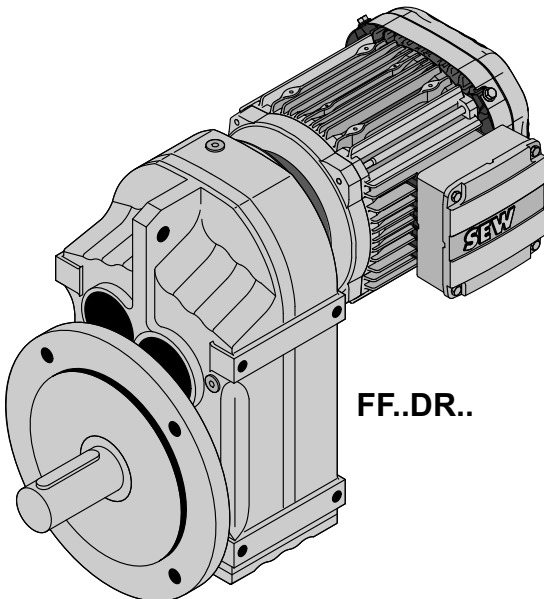
F..DR..



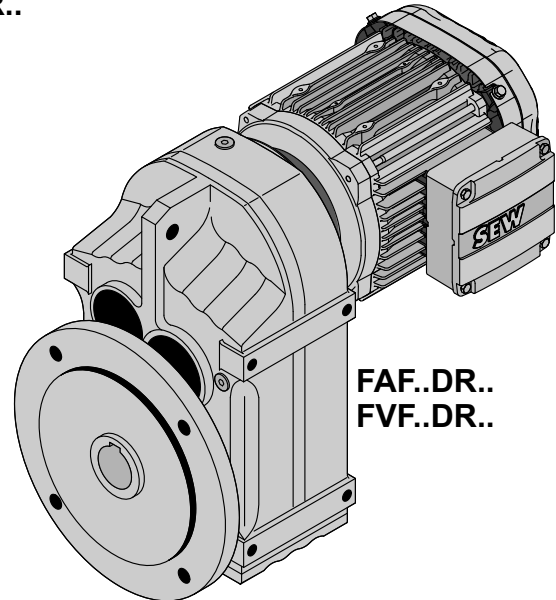
FA..DR..
FV..DR..



FH..DR..



FF..DR..



FAF..DR..
FVF..DR..

10

60404AXX

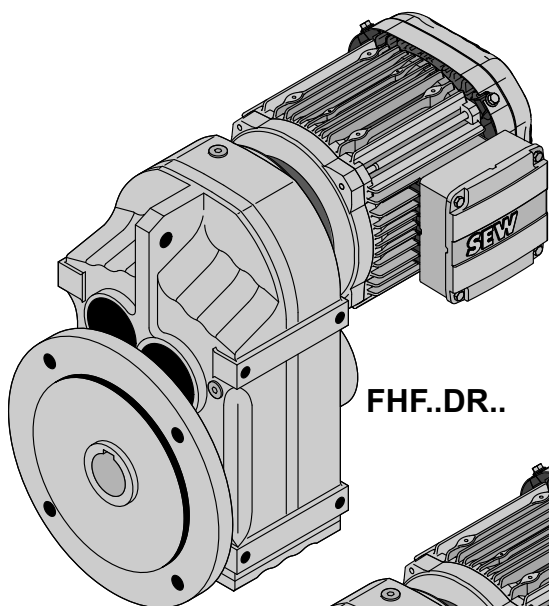


F..DRS

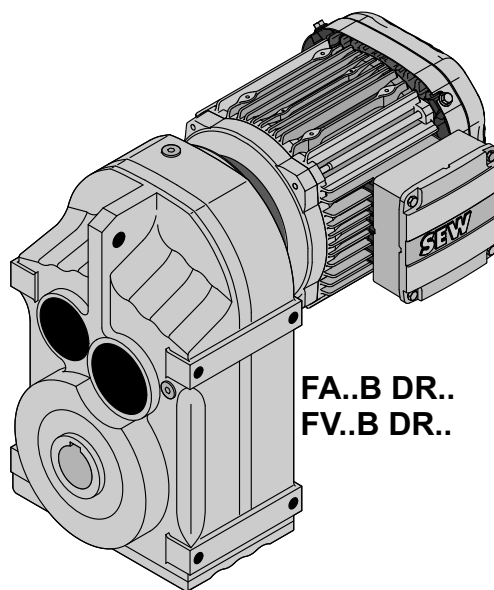
F, FA..(B), FV..(B), FH..(B), FT, FF, FAF, FVF, FHF, FAZ, FVZ..DRS



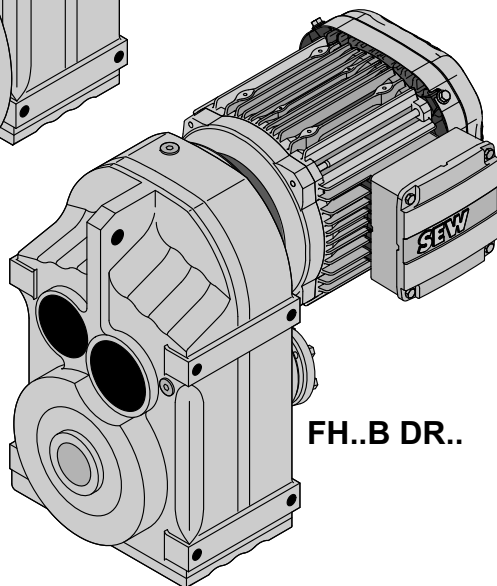
Kalasanati.com



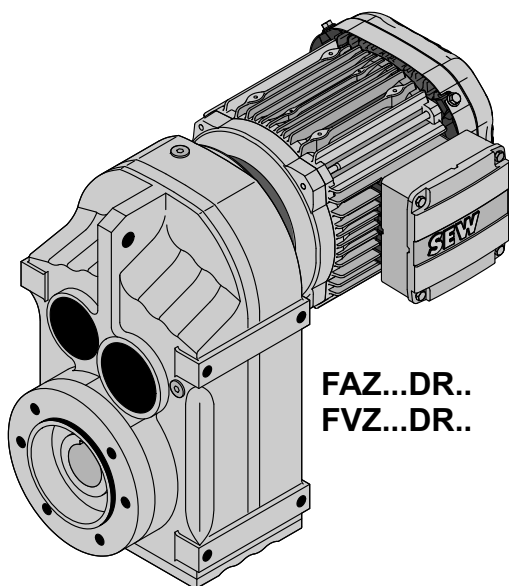
FHF..DR..



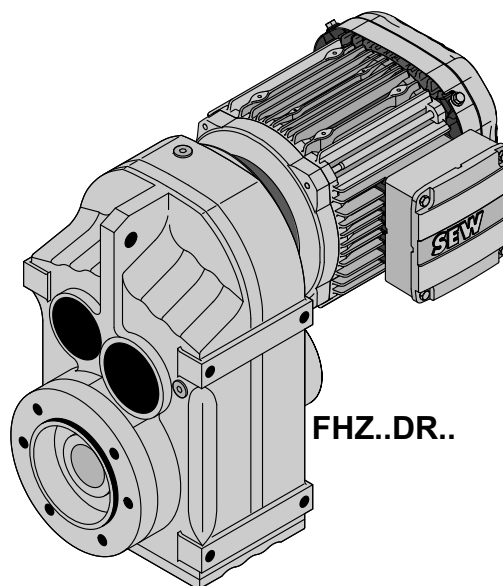
**FA..B DR..
FV..B DR..**



FH..B DR..



**FAZ...DR..
FVZ...DR..**



FHZ..DR..

60410AXX



Kalasanati.com

10.2 F.. → DRS

F..DRS
F.. → DRS







10


F27, n_e = 1400 1/min					130 Nm			
n _a [1/min]	M _{amax} [Nm]	F _{Ra} [N]	φ _(/R) [']	i	DR63 DRS71S DRS71M	DRS80	DRS90M	DRS90L DRS100M
3								
9.9	130	4500	-	140.74				
11	130	4500	-	129.09				
13	130	4500	-	109.90				
15	130	4500	-	94.76				
16	130	4500	-	88.32				
18	130	4500	-	77.21				
19	130	4500	-	72.37				
22	130	4400	-	63.86				
25	130	4190	-	56.62				
28	130	3980	-	50.19				
30	130	3860	-	46.78				
34	130	3640	-	40.89				
37	130	3530	-	38.33				
41	130	3340	-	33.83				
2								
47	130	3150	-	29.56				
52	130	3030	-	27.18				
60	130	2820	-	23.25				
69	130	2630	-	20.15				
74	130	2550	-	18.84				
86	130	2370	-	16.28				
101	130	2180	-	13.84				
113	130	2060	-	12.35				
133	130	1900	-	10.55				
142	130	1830	-	9.88				
149	130	1660	-	9.40				
172	123	1590	-	8.13				
203	114	1530	-	6.91				
227	109	1480	-	6.17				
266	100	1440	-	5.27				
284	96	1420	-	4.93				
337	87	1380	-	4.16				

10


F27R17, n_e = 1400 1/min					130 Nm			
n _a [1/min]	M _{amax} [Nm]	F _{Ra} [N]	φ _(/R) [']	i	DR63 DRS71S DRS71M	DRS80		
3 3								
0.16	130	4500	-	8972				
0.18	130	4500	-	7736				
0.19	130	4500	-	7211				
0.22	130	4500	-	6303				
0.26	130	4500	-	5435				
0.29	130	4500	-	4855				
0.33	130	4500	-	4243				
0.38	130	4500	-	3715				
0.43	130	4500	-	3247				
0.49	130	4500	-	2878				
0.56	130	4500	-	2515				
0.63	130	4500	-	2217				
2 3								
0.74	130	4500	-	1898				
0.85	130	4500	-	1645				



F27R17, n_e = 1400 1/min							130 Nm	
n _a [1/min]	M _{amax} [Nm]	F _{Ra} [N]	φ(/R) [']	i	DR63 DRS71S DRS71M	DRS80		
0.92	130	4500	-	1525				
1.1	130	4500	-	1322				
1.2	130	4500	-	1146				
1.4	130	4500	-	1013				
1.6	130	4500	-	890				
1.8	130	4500	-	778				
2.1	130	4500	-	682				
2.3	130	4500	-	602				
2.7	130	4500	-	520				
 3  2								
0.72	130	4500	-	1948				
0.77	130	4500	-	1826				
0.87	130	4500	-	1610				
1.0	130	4500	-	1399				
1.1	130	4500	-	1230				
1.5	130	4500	-	948				
1.7	130	4500	-	829				
1.9	130	4500	-	731				
2.2	130	4500	-	633				
2.5	130	4500	-	551				
2.9	130	4500	-	489				
3.3	130	4500	-	427				
3.7	130	4500	-	379				
4.3	130	4500	-	326				
4.9	130	4500	-	288				
5.6	130	4500	-	251				
6.3	130	4500	-	221				
8.1	130	4500	-	172				
9.2	130	4500	-	153				
11	130	4500	-	130				
 2  2								
3.1	130	4500	-	458				
3.5	130	4500	-	397				
4.1	130	4500	-	342				
4.6	130	4500	-	302				
5.3	130	4500	-	266				
5.9	130	4500	-	236				
6.6	130	4500	-	211				
7.5	130	4500	-	186				
9.9	130	4500	-	142				
11	130	4500	-	124				
13	130	4500	-	109				
15	130	4500	-	96				






F37, n_e = 1400 1/min							200 Nm	
n _a [1/min]	M _{amax} [Nm]	F _{Ra} [N]	φ(/R) [']	i	DR63 DRS71S DRS71M	DRS80	DRS90M	DRS90L DRS100M
 3								
11	200	4290	7	128.51				
12	200	4290	7	117.88				
14	200	4290	7	100.36				
16	200	4290	7	86.53				
17	200	4290	7	80.65				
20	200	4290	7	70.50				
21	200	4290	7	66.09				

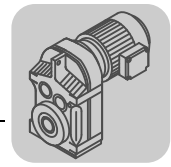



F37, n _e = 1400 1/min					200 Nm			
n _a [1/min]	M _{amax} [Nm]	F _{Ra} [N]	φ _(/R) [']	i	DR63 DRS71S DRS71M	DRS80	DRS90M	DRS90L DRS100M
24	200	4290	7	58.32				
26	200	4290	8	54.54				
27	200	4290	7	51.70				
30	200	4290	8	47.02				
32	200	4290	8	43.83				
37	200	4290	8	38.31				
39	200	4290	8	35.91				
44	200	4290	8	31.69				
50	200	4060	8	28.09				
59	200	3760	8	23.88				
 2								
59	200	3740	6	23.63				
68	200	3500	6	20.57				
73	200	3390	6	19.27				
82	200	3180	6	17.03				
89	200	3070	6	15.81				
98	200	2910	7	14.33				
109	200	2750	7	12.87				
126	190	2620	7	11.08				
134	185	2580	7	10.42				
156	175	2460	7	8.97				
175	170	2360	7	8.01				
188	145	2350	10	7.44				
208	140	2270	10	6.74				
231	135	2190	10	6.05				
269	125	2120	10	5.21				
286	120	2100	11	4.90				
332	110	2030	11	4.22				
371	105	1970	12	3.77				





F37R17, n _e = 1400 1/min					200 Nm			
n _a [1/min]	M _{amax} [Nm]	F _{Ra} [N]	φ _(/R) [']	i	DR63 DRS71S DRS71M	DRS80		
 3  3								
0.17	200	4290	-	8193				
0.20	200	4290	-	7064				
0.21	200	4290	-	6585				
0.24	200	4290	-	5756				
0.28	200	4290	-	4963				
0.32	200	4290	-	4434				
0.36	200	4290	-	3875				
0.41	200	4290	-	3392				
0.47	200	4290	-	2965				
0.54	200	4290	-	2587				
0.61	200	4290	-	2284				
0.70	200	4290	-	1997				
0.80	200	4290	-	1742				
0.91	200	4290	-	1545				
 2  3								
0.73	200	4290	-	1929				
0.83	200	4290	-	1679				
0.90	200	4290	-	1550				
1.0	200	4290	-	1356				
1.2	200	4290	-	1180				
1.3	200	4290	-	1044				







F37R17, n_e = 1400 1/min					200 Nm			
n _a [1/min]	M _{amax} [Nm]	F _{Ra} [N]	φ(/R) [']	i	DR63 DRS71S DRS71M	DRS80		
1.5	200	4290	-	914				
1.7	200	4290	-	808				
2.0	200	4290	-	698				
2.3	200	4290	-	616				
2.6	200	4290	-	544				
3.0	200	4290	-	466				
3.4	200	4290	-	411				
3.8	200	4290	-	364				
 3  2								
1.0	200	4290	-	1370				
1.2	200	4290	-	1198				
1.3	200	4290	-	1047				
1.5	200	4290	-	915				
1.7	200	4290	-	807				
2.0	200	4290	-	707				
2.3	200	4290	-	617				
2.6	200	4290	-	538				
2.9	200	4290	-	477				
3.4	200	4290	-	412				
3.8	200	4290	-	365				
4.3	200	4290	-	322				
5.0	200	4290	-	278				
5.8	200	4290	-	242				
6.3	200	4290	-	221				
7.2	200	4290	-	195				
8.3	200	4290	-	168				
9.5	200	4290	-	147				
11	200	4290	-	127				
12	200	4290	-	121				
13	200	4290	-	108				
15	200	4290	-	91				
 2  2								
4.3	200	4290	-	326				
4.9	200	4290	-	285				
5.6	200	4290	-	250				
6.4	200	4290	-	219				
7.5	200	4290	-	186				
8.4	200	4290	-	167				
9.7	200	4290	-	145				
11	200	4290	-	129				
12	200	4290	-	118				
14	200	4290	-	98				
16	200	4290	-	87				
F47, n_e = 1400 1/min					400 Nm			
n _a [1/min]	M _{amax} [Nm]	F _{Ra} [N]	φ(/R) [']	i	DR63 DRS71S DRS71M	DRS80	DRS90M	DRS90L DRS100M
 3								
7.3	400	5920	6	190.76				
8.0	400	5920	6	175.38				
9.3	400	5920	6	150.06				
11	400	5920	6	130.07				
12	400	5920	6	121.57				
13	400	5920	6	105.09				
16	400	5920	6	89.29				




F47, $n_e = 1400$ 1/min					400 Nm			
n_a [1/min]	M_{amax} [Nm]	F_{Ra} [N]	$\varphi/(R)$ [']	i	DR63 DRS71S DRS71M	DRS80	DRS90M	DRS90L DRS100M
18	400	5920	6	79.72				
21	400	5920	6	68.09				
21	400	5920	7	65.36				
25	400	5920	7	56.49				
29	400	5920	7	48.00*				
33	400	5920	7	42.86				
38	400	5920	7	36.61				
41	400	5920	7	34.29				
48	400	5790	7	28.88				
 2								
45	400	5920	6	30.86				
48	400	5830	6	29.32				
54	400	5470	6	25.72				
64	400	5030	6	21.82				
71	400	4770	6	19.70				
81	400	4450	6	17.33				
86	400	4320	6	16.36				
101	400	3950	6	13.93				
111	400	3740	6	12.66				
128	400	3440	6	10.97				
156	330	3250	8	8.96				
178	380	2630	8	7.88				
188	380	2530	8	7.44*				
221	350	2470	8	6.34				
243	340	2390	9	5.76				
281	320	2310	9	4.99				

F47R17, $n_e = 1400$ 1/min					400 Nm			
n_a [1/min]	M_{amax} [Nm]	F_{Ra} [N]	$\varphi/(R)$ [']	i	DR63 DRS71S DRS71M	DRS80		
 3  3								
0.11	400	5920	-	12251				
0.13	400	5920	-	10619				
0.14	400	5920	-	9846				
0.16	400	5920	-	8534				
0.19	400	5920	-	7460				
0.21	400	5920	-	6536				
0.24	400	5920	-	5746				
0.28	400	5920	-	5022				
0.32	400	5920	-	4401				
0.36	400	5920	-	3883				
0.41	400	5920	-	3443				
0.47	400	5920	-	2976				
0.53	400	5920	-	2629				
0.61	400	5920	-	2304				
0.69	400	5920	-	2033				
 2  3								
0.56	400	5920	-	2519				
0.58	400	5920	-	2394				
0.64	400	5920	-	2172				
0.69	400	5920	-	2025				
0.79	400	5920	-	1770				
0.89	400	5920	-	1576				
1.0	400	5920	-	1363				
1.2	400	5920	-	1192				



F47R17, n_e = 1400 1/min					400 Nm	
n _a [1/min]	M _{amax} [Nm]	F _{Ra} [N]	φ(R) [']	i	DR63 DRS71S DRS71M	DRS80
1.3	400	5920	-	1061		
1.5	400	5920	-	931		
1.7	400	5920	-	822		
2.0	400	5920	-	706		
2.3	400	5920	-	619		
 3  2						
0.78	400	5920	-	1785		
0.89	400	5920	-	1578		
1.0	400	5920	-	1364		
1.2	400	5920	-	1203		
1.3	400	5920	-	1049		
1.5	400	5920	-	918		
1.7	400	5920	-	809		
2.0	400	5920	-	700		
2.3	400	5920	-	622		
2.6	400	5920	-	543		
2.9	400	5920	-	475		
3.3	400	5920	-	419		
3.8	400	5920	-	370		
4.3	400	5920	-	324		
4.9	400	5920	-	288		
5.6	400	5920	-	249		
6.4	400	5920	-	218		
7.3	400	5920	-	193		
8.0	400	5920	-	175		
9.5	400	5920	-	147		
11	400	5920	-	130		
 2  2						
2.7	400	5920	-	524		
2.9	400	5920	-	489		
3.3	400	5920	-	427		
3.7	400	5920	-	381		
4.2	400	5920	-	334		
4.7	400	5920	-	295		
5.5	400	5920	-	253		
6.5	400	5920	-	217		
7.4	400	5920	-	190		
7.9	400	5920	-	178		
9.4	400	5920	-	149		
11	400	5920	-	131		

F57, n_e = 1400 1/min					600 Nm					
n _a [1/min]	M _{amax} [Nm]	F _{Ra} [N]	φ(R) [']	i	DR63 DRS71S DRS71M	DRS80	DRS90M	DRS90L DRS100M	DRS100LC	DRS132S DRS132M
 3										
7.0	600	9200	6	199.70						
7.6	600	9200	6	183.60						
8.9	600	9200	6	157.09						
10	600	9200	6	136.16						
11	600	9200	6	127.27						
13	600	9200	6	110.01						
15	600	9200	6	93.47						
17	600	9200	6	83.46						
19	600	9200	6	72.98						
21	600	9200	6	68.22						



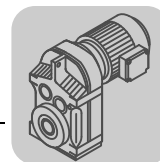
F57, n_e = 1400 1/min					600 Nm					
n _a [1/min]	M _{amax} [Nm]	F _{Ra} [N]	φ _(/R) [']	i	DR63 DRS71S DRS71M	DRS80	DRS90M	DRS90L DRS100M	DRS100LC	DRS132S DRS132M
24	600	9200	7	58.97						
28	600	9200	7	50.10						
31	600	9160	7	44.73						
37	600	8510	7	38.21						
39	600	8250	7	35.79						
46	590	7650	7	30.15						
2										
35	290	10500	6	40.13						
41	500	8670	6	34.24						
47	545	7890	6	29.94						
49	535	7760	6	28.45						
56	575	7060	6	24.96						
66	600	6350	6	21.17						
73	600	6020	6	19.11						
83	600	5620	6	16.81						
88	600	5450	6	15.88						
104	600	4980	6	13.52						
114	600	4710	6	12.29						
132	600	4320	6	10.64						
150	420	4760	8	9.31						
171	420	4450	8	8.19						
181	420	4310	8	7.73						
213	420	3940	8	6.58						
234	420	3730	9	5.98						
270	415	3460	9	5.18						

F57R37, n_e = 1400 1/min					600 Nm					
n _a [1/min]	M _{amax} [Nm]	F _{Ra} [N]	φ _(/R) [']	i	DR63 DRS71S DRS71M	DRS80	DRS90M	DRS90L DRS100M		
3 3										
0.09	600	9200	-	14832						
0.10	600	9200	-	13604						
0.11	600	9200	-	12602						
0.12	600	9200	-	11252						
0.14	600	9200	-	9986						
0.16	600	9200	-	8787						
0.18	600	9200	-	7908						
0.20	600	9200	-	6913						
0.23	600	9200	-	6030						
0.26	600	9200	-	5289						
0.30	600	9200	-	4654						
0.34	600	9200	-	4060						
0.39	600	9200	-	3564						
0.44	600	9200	-	3161						
0.51	600	9200	-	2737						
0.58	600	9200	-	2409						
0.66	600	9200	-	2131						
0.76	600	9200	-	1840						
0.86	600	9200	-	1623						
0.97	600	9200	-	1439						
1.1	600	9200	-	1238						
2 3										
0.49	600	9200	-	2854						
0.54	600	9200	-	2576						
0.62	600	9200	-	2266						



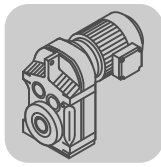
F57R37, n_e = 1400 1/min					600 Nm			
n _a [1/min]	M _{amax} [Nm]	F _{Ra} [N]	φ _(/R) [']	i	DR63 DRS71S DRS71M	DRS80	DRS90M	DRS90L DRS100M
0.70	600	9200	-	2012				
0.78	600	9200	-	1791				
0.87	600	9200	-	1617				
0.98	600	9200	-	1422				
1.1	600	9200	-	1243				
1.3	600	9200	-	1066				
1.5	600	9200	-	949				
1.6	600	9200	-	856				
1.9	600	9200	-	749				
2.1	600	9200	-	658				
2.6	600	9200	-	549				
2.9	600	9200	-	483				
3 2								
1.3	600	9200	-	1106				
1.4	600	9200	-	967				
1.6	600	9200	-	851				
1.9	600	9200	-	738				
2.2	600	9200	-	646				
2.5	600	9200	-	558				
2.8	600	9200	-	506				
3.1	600	9200	-	452				
3.6	600	9200	-	386				
4.1	600	9200	-	338				
5.5	600	9200	-	255				
7.0	600	9200	-	201				
7.7	600	9200	-	181				
9.0	600	9200	-	155				
2 2								
3.3	600	9200	-	426				
3.7	600	9200	-	382				
4.2	600	9200	-	330				
4.7	600	9200	-	298				
5.3	600	9200	-	262				
6.2	600	9200	-	226				
7.0	600	9200	-	200				
8.2	600	9200	-	170				
9.2	600	9200	-	152				
10	600	9200	-	134				

F67, n_e = 1400 1/min					820 Nm						
n _a [1/min]	M _{amax} [Nm]	F _{Ra} [N]	φ _(/R) [']	i	DR63 DRS71S DRS71M	DRS80	DRS90M	DRS90L DRS100M	DRS100LC	DRS132S DRS132M	DRS132MC
3											
6.1	820	10300	6	228.99							
7.2	820	10300	6	195.39							
8.2	820	10300	6	170.85							
8.6	820	10300	6	162.31							
9.8	820	10300	6	142.40							
12	820	10300	6	120.79							
13	820	10300	6	109.04							
15	820	10300	6	95.94							
15	820	10300	6	90.59							
18	820	10300	6	79.76							
21	820	10300	6	67.65							
23	820	10300	6	61.07							



F67, n _e = 1400 1/min					820 Nm						
n _a [1/min]	M _{amax} [Nm]	F _{Ra} [N]	φ _(/R) [']	i	DR63 DRS71S DRS71M	DRS80	DRS90M	DRS90L DRS100M	DRS100LC	DRS132S DRS132M	DRS132MC
26	820	10300	6	53.73							
28	820	10300	6	50.74							
32	820	10300	6	43.20							
36	780	10700	6	39.26							
41	740	11000	6	34.01							
2											
39	820	10300	5	36.30							
44	820	10300	5	32.08							
51	820	10300	5	27.41							
56	820	10300	5	25.13							
63	820	10300	5	22.05							
67	820	10300	5	20.90*							
77	820	10300	6	18.29							
85	820	10300	6	16.48							
97	820	10300	6	14.46							
110	820	10300	6	12.76							
124	820	10300	6	11.31							
145	820	10300	6	9.66							
154	530	11400	8	9.08							
163	570	10900	8	8.60							
186	610	10100	8	7.53							
206	620	9660	9	6.78							
235	610	9200	9	5.95							
267	590	8850	9	5.25							
300	560	8590	9	4.66							
353	500	8390	10	3.97							

F67R37, n _e = 1400 1/min					820 Nm			
n _a [1/min]	M _{amax} [Nm]	F _{Ra} [N]	φ _(/R) [']	i	DR63 DRS71S DRS71M	DRS80	DRS90M	DRS90L DRS100M
3 3								
0.07	820	10300	-	19199				
0.08	820	10300	-	17610				
0.09	820	10300	-	14992				
0.11	820	10300	-	12926				
0.12	820	10300	-	11480				
0.14	820	10300	-	10220				
0.16	820	10300	-	8933				
0.18	820	10300	-	7940				
0.20	820	10300	-	7096				
0.23	820	10300	-	6080				
0.26	820	10300	-	5341				
0.30	820	10300	-	4690				
0.34	820	10300	-	4091				
0.39	820	10300	-	3574				
0.45	820	10300	-	3133				
0.51	820	10300	-	2756				
0.57	820	10300	-	2439				
2 3								
0.41	820	10300	-	3377				
0.48	820	10300	-	2912				
0.52	820	10300	-	2714				
0.59	820	10300	-	2372				
0.66	820	10300	-	2126				
0.75	820	10300	-	1859				



F67R37, n_e = 1400 1/min					820 Nm				
n _a [1/min]	M _{amax} [Nm]	F _{Ra} [N]	φ _(/R) [']	i	DR63 DRS71S DRS71M	DRS80	DRS90M	DRS90L DRS100M	
0.86	820	10300	-	1631					
0.97	820	10300	-	1437					
1.1	820	10300	-	1256					
1.2	820	10300	-	1126					
1.4	820	10300	-	984					
1.6	820	10300	-	864					
1.9	820	10300	-	722					
2.2	820	10300	-	634					
2.6	820	10300	-	539					
3 2									
0.66	820	10300	-	2106					
0.74	820	10300	-	1884					
0.86	820	10300	-	1635					
0.98	820	10300	-	1429					
1.1	820	10300	-	1271					
1.3	820	10300	-	1102					
1.4	820	10300	-	970					
1.6	820	10300	-	858					
1.9	820	10300	-	755					
2.2	820	10300	-	641					
2.4	820	10300	-	572					
2.8	820	10300	-	509					
3.2	820	10300	-	437					
3.6	820	10300	-	384					
4.1	820	10300	-	338					
4.6	820	10300	-	305					
5.4	820	10300	-	257					
6.1	820	10300	-	231					
6.8	820	10300	-	205					
8.0	820	10300	-	175					
2 2									
2.8	820	10300	-	500					
3.1	820	10300	-	454					
3.6	820	10300	-	392					
4.2	820	10300	-	333					
4.7	820	10300	-	297					
5.4	820	10300	-	261					
5.9	820	10300	-	238					
7.0	820	10300	-	200					
8.0	820	10300	-	176					

F77, n_e = 1400 1/min					1500 Nm						
n _a [1/min]	M _{amax} [Nm]	F _{Ra} [N]	φ _(/R) [']	i	DR63 DRS71S DRS71M	DRS80	DRS90M	DRS90L DRS100M	DRS100LC	DRS132S DRS132M	DRS132MC DRS160
3											
5.0	1500	15700	5	281.71							
5.3	1500	15700	5	262.93							
6.2	1500	15700	5	225.79							
7.1	1500	15700	5	198.31							
7.4	1500	15700	5	188.40							
8.4	1500	15700	5	166.47							
9.8	1500	15700	5	142.27							
11	1500	15700	5	130.42							
12	1500	15700	5	114.45							
13	1500	15700	5	108.46*							



F77, $n_e = 1400$ 1/min						1500 Nm					
n_a [1/min]	M_{amax} [Nm]	F_{Ra} [N]	$\varphi(R)$ [']	i	DR63 DRS71S DRS71M	DRS80	DRS90M	DRS90L DRS100M	DRS100LC	DRS132S DRS132M	DRS132MC DRS160
15	1500	15700	5	94.93							
16	1500	15700	6	85.52							
19	1500	15700	6	75.02							
19	1500	15700	6	72.50							
21	1500	15700	6	66.46							
24	1500	15700	6	58.32							
25	1500	15700	6	55.27							
29	1500	15700	6	48.37							
32	1500	15700	6	43.58							
37	1500	15700	6	38.23							
41	1500	15700	6	33.74							
47	1500	15700	6	29.91							
55	1450	16100	6	25.54							

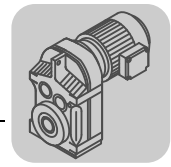


38	1110	17900	5	36.58							
44	1380	16500	5	31.51							
49	1430	16200	5	28.75							
55	1500	15700	5	25.50*							
65	1500	15700	5	21.43							
71	1500	15700	5	19.70							
80	1500	15700	5	17.49							
90	1500	15700	5	15.64*							
100	1500	15700	5	14.06							
115	1500	14900	5	12.20							
128	1500	14200	6	10.93							
151	1080	13800	7	9.30							
169	1080	13100	7	8.26							
189	1080	12500	7	7.39							
211	1080	12000	8	6.64							
243	1080	11300	8	5.76							
271	1080	10700	8	5.16							
327	1010	10200	8	4.28							

F77R37, $n_e = 1400$ 1/min						1500 Nm					
n_a [1/min]	M_{amax} [Nm]	F_{Ra} [N]	$\varphi(R)$ [']	i	DR63 DRS71S DRS71M	DRS80	DRS90M	DRS90L DRS100M			
3											
0.07	1500	15700	-	19180							
0.08	1500	15700	-	17593							
0.09	1500	15700	-	16128							
0.09	1500	15700	-	14978							
0.10	1500	15700	-	13731							
0.12	1500	15700	-	12049							
0.13	1500	15700	-	11035							
0.14	1500	15700	-	9683							
0.17	1500	15700	-	8464							
0.19	1500	15700	-	7520							
0.21	1500	15700	-	6580							
0.24	1500	15700	-	5808							
0.28	1500	15700	-	5026							
0.32	1500	15700	-	4435							
0.37	1500	15700	-	3832							
0.41	1500	15700	-	3381							
0.47	1500	15700	-	2978							
0.54	1500	15700	-	2613							
0.61	1500	15700	-	2284							



F77R37, n_e = 1400 1/min					1500 Nm								
n _a [1/min]	M _{amax} [Nm]	F _{Ra} [N]	φ _(/R) [']	i	DR63 DRS71S DRS71M	DRS80	DRS90M	DRS90L DRS100M					
0.69	1500	15700	-	2029									
2 3													
0.28	1110	17900	-	4931									
0.31	1110	17900	-	4523									
0.36	1110	17900	-	3851									
0.42	1110	17900	-	3320									
0.45	1110	17900	-	3095									
0.52	1110	17900	-	2705									
0.55	1110	17900	-	2536									
0.63	1110	17900	-	2238									
0.69	1110	17900	-	2039									
0.80	1110	17900	-	1759									
0.85	1110	17900	-	1639									
0.98	1110	17900	-	1433									
1.0	1110	17900	-	1343									
1.2	1110	17900	-	1185									
1.3	1110	17900	-	1051									
1.6	1110	17900	-	893									
3 2													
0.81	1500	15700	-	1728									
0.91	1500	15700	-	1544									
1.0	1500	15700	-	1354									
1.2	1500	15700	-	1200									
1.3	1500	15700	-	1053									
1.5	1500	15700	-	910									
1.7	1500	15700	-	810									
2.0	1500	15700	-	710									
2.3	1500	15700	-	615									
2.6	1500	15700	-	538									
2.9	1500	15700	-	480									
3.4	1500	15700	-	413									
3.8	1500	15700	-	367									
4.3	1500	15700	-	323									
5.0	1500	15700	-	280									
5.7	1500	15700	-	247									
6.3	1500	15700	-	221									
7.0	1500	15700	-	199									
2 2													
1.7	1110	17900	-	815									
2.0	1110	17900	-	706									
2.1	1110	17900	-	660									
2.5	1110	17900	-	571									
2.9	1110	17900	-	485									
3.2	1110	17900	-	433									
3.8	1110	17900	-	370									
4.0	1110	17900	-	346									
4.8	1110	17900	-	292									
F87, n_e = 1400 1/min					3000 Nm								
n _a [1/min]	M _{amax} [Nm]	F _{Ra} [N]	φ _(/R) [']	i	DRS71M	DRS80	DRS90M	DRS90L DRS100M	DRS100LC	DRS132S DRS132M	DRS132MC DRS160	DRS180M DRS180L	DRS180HC
3													
5.2	3000	19800	7	270.68									
5.5	3000	19800	7	255.37									
6.1	3000	19800	7	228.93									



F87, n _e = 1400 1/min					3000 Nm								
n _a [1/min]	M _{amax} [Nm]	F _{Ra} [N]	φ _(/R) [']	i	DRS71M	DRS80	DRS90M	DRS90L DRS100M	DRS100LC	DRS132S DRS132M	DRS132MC DRS160	DRS180M DRS180L	DRS180HC
7.1	3000	19800	7	197.20									
7.8	3000	19800	7	179.97									
8.8	3000	19800	7	159.61									
10	3000	19800	7	134.16									
11	3000	19800	7	123.29									
13	3000	19800	7	109.49									
14	3000	19800	7	97.89									
16	3000	19800	7	88.01									
18	3000	19800	7	76.39									
20	3000	19600	7	68.40									
25	3000	17700	7	56.75									
28	2940	16800	7	50.36									
31	2820	16200	8	45.28									
36	2720	15400	8	39.30									
40	2610	14900	8	35.19									
48	2510	13800	8	29.20									

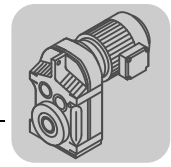


41	2610	14600	7	33.92									
49	2450	13900	7	28.78									
53	3000	11100	7	26.50									
59	3000	10300	7	23.68									
66	3000	9530	7	21.32*									
73	3000	8840	7	19.31									
82	3000	8040	7	17.12									
90	3000	7390	7	15.48									
107	3000	6370	7	13.12*									
122	3000	5580	7	11.46									
146	2880	5050	7	9.58									
169	1530	8890	7	8.29									
190	1530	8280	7	7.35									
211	1530	7790	7	6.65									
249	1530	7020	7	5.63									
285	1530	6430	7	4.92									
340	1460	5980	7	4.12									

F87R57, n _e = 1400 1/min					3000 Nm						
n _a [1/min]	M _{amax} [Nm]	F _{Ra} [N]	φ _(/R) [']	i	DR63 DRS71S DRS71M	DRS80	DRS90M	DRS90L DRS100M	DRS100LC	DRS132S DRS132M	DRS132MC
3 3											
0.06	3000	19800	-	23042							
0.07	3000	19800	-	20462							
0.08	3000	19800	-	18238							
0.09	3000	19800	-	15877							
0.10	3000	19800	-	14099							
0.11	3000	19800	-	12205							
0.13	3000	19800	-	10433							
0.15	3000	19800	-	9381							
0.17	3000	19800	-	8142							
0.20	3000	19800	-	7100							
0.22	3000	19800	-	6273							
0.25	3000	19800	-	5510							
0.28	3000	19800	-	4954							
0.33	3000	19800	-	4245							
0.38	3000	19800	-	3721							
2 3											
0.28	3000	19800	-	4952							



F87R57, n_e = 1400 1/min											3000 Nm		
n _a [1/min]	M _{amax} [Nm]	F _{Ra} [N]	φ _(/R) [']	i	DR63 DRS71S DRS71M	DRS80	DRS90M	DRS90L DRS100M	DRS100LC	DRS132S DRS132M	DRS132MC		
0.31	3000	19800	-	4562									
0.36	3000	19800	-	3919									
0.40	3000	19800	-	3503									
0.44	3000	19800	-	3196									
0.49	3000	19800	-	2857									
0.55	3000	19800	-	2524									
0.66	3000	19800	-	2134									
0.73	3000	19800	-	1913									
0.82	3000	19800	-	1717									
0.95	3000	19800	-	1476									
1.1	3000	19800	-	1278									
1.2	3000	19800	-	1142									
1.4	3000	19800	-	988									
1.6	3000	19800	-	883									
1.9	3000	19800	-	748									
3 2													
0.43	3000	19800	-	3244									
0.49	3000	19800	-	2881									
0.54	3000	19800	-	2576									
0.64	3000	19800	-	2199									
0.73	3000	19800	-	1930									
0.82	3000	19800	-	1709									
0.94	3000	19800	-	1493									
1.1	3000	19800	-	1300									
1.2	3000	19800	-	1148									
1.4	3000	19800	-	1010									
1.6	3000	19800	-	887									
1.8	3000	19800	-	780									
2.1	3000	19800	-	674									
2.3	3000	19800	-	609									
2.7	3000	19800	-	515									
3.1	3000	19800	-	452									
4.1	3000	19800	-	345									
4.7	3000	19800	-	300									
5.6	3000	19800	-	249									
2 2													
2.1	3000	19800	-	662									
2.4	3000	19800	-	592									
2.7	3000	19800	-	519									
3.0	3000	19800	-	468									
3.5	3000	19800	-	398									
4.0	3000	19800	-	350									
4.4	3000	19800	-	315									
5.0	3000	19800	-	281									
5.8	3000	19800	-	240									
6.6	3000	19800	-	211									
7.3	3000	19800	-	193									
F97, n_e = 1400 1/min											4300 Nm		
n _a [1/min]	M _{amax} [Nm]	F _{Ra} [N]	φ _(/R) [']	i	DRS80	DRS90M	DRS90L DRS100M	DRS100LC	DRS132S DRS132M	DRS132MC DRS160	DRS180M DRS180L	DRS180HC DRS225S DRS225M	DRS225MC
3													
5.1	4300	29900	6	276.77									
5.5	4300	29900	6	253.41									
6.3	4300	29900	6	223.88									

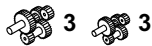


F97, $n_e = 1400$ 1/min					4300 Nm								
n_a [1/min]	M_{amax} [Nm]	F_{Ra} [N]	$\varphi_{(R)}$ [']	i	DRS80	DRS90M	DRS90L DRS100M	DRS100LC	DRS132S DRS132M	DRS132MC DRS160	DRS180M DRS180L	DRS180HC DRS225S DRS225M	DRS225MC
7.4	4300	29900	6	189.92									
8.0	4300	29900	6	174.87									
9.0	4300	29900	6	156.30									
9.9	4300	29900	6	140.71									
11	4300	29900	6	127.42									
12	4300	29900	6	112.99									
14	4300	29900	6	102.16									
14	4300	29900	6	97.58									
16	4300	29900	6	89.85									
16	4300	29900	6	86.59									
17	4300	29900	6	80.31									
19	4300	29900	6	75.63									
19	4300	29900	6	72.29									
21	4300	29000	6	65.47									
24	4300	27200	6	58.06									
27	4300	25800	6	52.49									
31	4300	23600	6	44.49									
36	4300	21900	6	38.86									
43	4300	19800	6	32.50									



32	3070	27600	6	43.28									
38	3070	25500	6	36.64									
41	4300	20300	6	33.91									
46	4300	19000	6	30.39									
51	4300	17900	6	27.44*									
56	4300	16800	6	24.92									
63	4300	15600	6	22.11									
70	4300	14600	6	20.07									
81	4300	13200	6	17.25*									
93	4300	11900	6	15.06									
110	4300	10500	6	12.77									
125	4100	10000	6	11.16									
155	2360	13400	9	9.06									
170	2360	12600	9	8.22									
198	2360	11500	9	7.07									
227	2250	11100	9	6.17									
268	2150	10400	9	5.23									
306	2050	9950	9	4.57									
362	1800	9970	9	3.87									

F97R57, $n_e = 1400$ 1/min					4300 Nm						
n_a [1/min]	M_{amax} [Nm]	F_{Ra} [N]	$\varphi_{(R)}$ [']	i	DR63 DRS71S DRS71M	DRS80	DRS90M	DRS90L DRS100M	DRS100LC	DRS132S DRS132M	DRS132MC




0.05	4300	29900	-	29211							
0.05	4300	29900	-	26911							
0.06	4300	29900	-	23814							
0.07	4300	29900	-	20813							
0.08	4300	29900	-	18119							
0.09	4300	29900	-	15472							
0.10	4300	29900	-	14022							
0.11	4300	29900	-	12324							
0.13	4300	29900	-	10838							
0.15	4300	29900	-	9576							
0.17	4300	29900	-	8318							
0.19	4300	29900	-	7328							




F97R57, n_e = 1400 1/min					4300 Nm						
n _a [1/min]	M _{amax} [Nm]	F _{Ra} [N]	φ _(/R) [°]	i	DR63 DRS71S DRS71M	DRS80	DRS90M	DRS90L DRS100M	DRS100LC	DRS132S DRS132M	DRS132MC
0.22	4300	29900	-	6469							
0.25	4300	29900	-	5615							
0.28	4300	29900	-	4961							
0.32	4300	29900	-	4333							
2 3											
0.22	4300	29900	-	6338							
0.25	4300	29900	-	5680							
0.28	4300	29900	-	5016							
0.32	4300	29900	-	4367							
0.36	4300	29900	-	3914							
0.42	4300	29900	-	3357							
0.47	4300	29900	-	3009							
0.57	4300	29900	-	2448							
0.64	4300	29900	-	2199							
0.71	4300	29900	-	1971							
0.80	4300	29900	-	1741							
0.95	4300	29900	-	1468							
1.1	4300	29900	-	1316							
1.2	4300	29900	-	1189							
1.4	4300	29900	-	1023							
3 2											
0.36	4300	29900	-	3906							
0.42	4300	29900	-	3352							
0.48	4300	29900	-	2907							
0.55	4300	29900	-	2553							
0.62	4300	29900	-	2245							
0.71	4300	29900	-	1970							
0.81	4300	29900	-	1722							
0.92	4300	29900	-	1527							
1.1	4300	29900	-	1327							
1.2	4300	29900	-	1171							
1.4	4300	29900	-	1022							
1.6	4300	29900	-	898							
1.8	4300	29900	-	784							
2.0	4300	29900	-	690							
2.3	4300	29900	-	605							
2.6	4300	29900	-	529							
3.0	4300	29900	-	467							
3.4	4300	29900	-	406							
3.9	4300	29900	-	363							
4.9	4300	29900	-	285							
5.7	4300	29900	-	245							
6.7	4300	29900	-	208							
7.2	4300	29900	-	195							
2 2											
1.6	4300	29900	-	892							
1.8	4300	29900	-	760							
2.1	4300	29900	-	667							
2.5	4300	29900	-	569							
2.7	4300	29900	-	510							
3.0	4300	29900	-	473							
3.5	4300	29900	-	403							
3.9	4300	29900	-	361							
4.4	4300	29900	-	317							
5.1	4300	29900	-	275							
5.8	4300	29900	-	242							





F107, $n_e = 1400$ 1/min					7840 Nm						
n_a [1/min]	M_{amax} [Nm]	F_{Ra} [N]	φ (/R) [']	i	DRS90L DRS100M	DRS100LC	DRS132S DRS132M	DRS132MC DRS160	DRS180M DRS180L	DRS180HC DRS225S DRS225M	DRS225MC


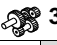




 3											
5.5	7680	49800	5	254.40*							
6.5	7680	49800	5	215.37							
7.0	7680	49800	5	199.31							
7.8	7680	49800	5	178.64							
8.7	7680	49800	5	161.28*							
9.6	7680	49800	5	146.49							
11	7680	49800	5	129.97							
12	7680	49800	5	117.94							
14	7680	49800	5	101.38*							
15	7680	49800	6	92.47*							
16	7680	49800	5	88.49							
17	7680	49800	6	83.99							
19	7680	49800	6	74.52							
21	7680	49800	6	67.62							
24	7680	47800	6	58.12*							
28	7680	45100	6	50.73							
33	7680	42000	6	43.03							
37	7680	39500	6	37.61							
44	7680	36500	6	31.80							

 2											
41	7400	38300	5	33.79*							
51	7840	33300	5	27.57							
56	7840	31500	5	25.14							
64	7840	28800	5	21.76*							
73	7840	26500	5	19.20*							
84	7840	23900	5	16.58							
95	7680	22400	5	14.67							
114	7000	22600	5	12.33							
141	6500	21500	5	9.96							
144	4910	23500	7	9.69							
167	4800	22000	7	8.37							
189	4600	21300	7	7.40							
225	4600	19000	7	6.22							
278	4600	16400	7	5.03							

F107R77, $n_e = 1400$ 1/min					7840 Nm						
n_a [1/min]	M_{amax} [Nm]	F_{Ra} [N]	φ (/R) [']	i	DR63 DRS71S DRS71M	DRS80	DRS90M	DRS90L DRS100M	DRS100LC	DRS132S DRS132M	DRS132MC DRS160

 3  3											
0.06	7680	49800	-	25375							
0.06	7680	49800	-	21652							
0.07	7680	49800	-	18933							
0.08	7680	49800	-	16888							
0.09	7680	49800	-	14767							
0.12	7680	49800	-	11348							
0.14	7680	49800	-	10039							
0.16	7680	49800	-	8548							
0.18	7680	49800	-	7674							
0.21	7680	49800	-	6767							
0.24	7680	49800	-	5954							
0.27	7680	49800	-	5223							
0.31	7680	49800	-	4567							
0.35	7680	49800	-	3948							
0.40	7680	49800	-	3521							



F107R77, n_e = 1400 1/min						7840 Nm					
n _a [1/min]	M _{amax} [Nm]	F _{Ra} [N]	φ _(/R) [']	i	DR63 DRS71S DRS71M	DRS80	DRS90M	DRS90L DRS100M	DRS100LC	DRS132S DRS132M	DRS132MC DRS160
 2  3											
0.26	7840	49400	-	5383							
0.30	7840	49400	-	4593							
0.35	7840	49400	-	4016							
0.37	7840	49400	-	3815							
0.42	7840	49400	-	3347							
0.49	7840	49400	-	2839							
0.55	7840	49400	-	2563							
0.62	7840	49400	-	2255							
0.66	7840	49400	-	2129							
0.77	7840	49400	-	1813							
0.88	7840	49400	-	1590							
0.97	7840	49400	-	1436							
1.1	7840	49400	-	1263							
1.2	7840	49400	-	1193							
1.4	7840	49400	-	1015							
1.5	7840	49400	-	923							
1.8	7840	49400	-	800							
2.0	7840	49400	-	696							
 3  2											
0.46	7680	49800	-	3037							
0.51	7680	49800	-	2756							
0.59	7680	49800	-	2369							
0.68	7680	49800	-	2068							
0.77	7680	49800	-	1826							
0.88	7680	49800	-	1597							
1.0	7680	49800	-	1401							
1.1	7680	49800	-	1243							
1.3	7680	49800	-	1087							
1.5	7680	49800	-	950							
1.7	7680	49800	-	834							
1.9	7680	49800	-	736							
2.2	7680	49800	-	640							
2.5	7680	49800	-	560							
2.9	7680	49800	-	489							
3.2	7680	49800	-	436							
3.8	7680	49800	-	370							
4.2	7680	49800	-	333							
4.8	7680	49800	-	291							
5.5	7680	49800	-	255							
6.2	7680	49800	-	225							
7.4	7680	49800	-	190							
 2  2											
2.2	7840	49400	-	644							
2.4	7840	49400	-	591							
2.7	7840	49400	-	518							
2.9	7840	49400	-	491							
3.3	7840	49400	-	430							
3.6	7840	49400	-	387							
4.1	7840	49400	-	340							
4.7	7840	49400	-	300							
5.3	7840	49400	-	266							



F127, $n_e = 1400$ 1/min					12000 Nm				
n_a [1/min]	M_{amax} [Nm]	F_{Ra} [N]	φ (/R) [']	i	DRS132S DRS132M	DRS132MC DRS160	DRS180M DRS180L	DRS180HC DRS225S DRS225M	DRS225MC DV280
3									
8.2	12000	90000	5	170.83					
9.1	12000	90000	5	153.67*					
11	12000	90000	5	125.37					
12	12000	88000	5	114.34					
14	12000	83000	5	98.95					
16	12000	79000	5	87.31*					
19	12000	74300	5	75.41*					
20	12000	72100	5	70.07					
22	12000	69400	5	63.91					
25	12000	65200	5	55.31					
29	12000	61300	5	48.80					
33	12000	56800	5	42.15					
38	12000	53200	5	37.28					
45	12000	48300	5	31.33					
55	12000	42400	5	25.30					
2									
52	8500	55300	5	26.86					
57	8500	53300	5	24.57					
65	12000	38000	5	21.38					
74	11000	38800	5	18.87					
86	11000	35400	5	16.36					
96	11000	32600	5	14.55					
112	10000	33300	5	12.54					
137	9500	30900	5	10.19					
158	7000	36400	6	8.86					
178	6000	37000	6	7.88					
206	7000	32200	7	6.80					
254	6000	31700	7	5.52					
299	6000	29500	7	4.68					

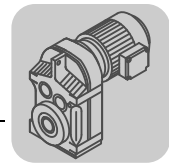
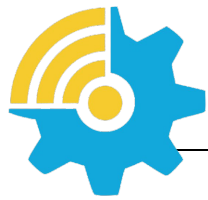
F127R77, $n_e = 1400$ 1/min					12000 Nm						
n_a [1/min]	M_{amax} [Nm]	F_{Ra} [N]	φ (/R) [']	i	DR63 DRS71S DRS71M	DRS80	DRS90M	DRS90L DRS100M	DRS100LC	DRS132S DRS132M	DRS132MC DRS160
3 3											
0.06	12000	90000	-	24478							
0.06	12000	90000	-	22323							
0.07	12000	90000	-	19048							
0.08	12000	90000	-	16656							
0.10	12000	90000	-	14722							
0.11	12000	90000	-	12912							
0.12	12000	90000	-	11656							
0.14	12000	90000	-	10191							
0.16	12000	90000	-	8831							
0.18	12000	90000	-	7643							
0.21	12000	90000	-	6715							
0.24	12000	90000	-	5925							
0.27	12000	90000	-	5153							
0.31	12000	90000	-	4533							
0.36	12000	90000	-	3926							
0.41	12000	90000	-	3454							
0.46	12000	90000	-	3031							
3 2											
0.52	12000	90000	-	2672							



F127R77, $n_e = 1400$ 1/min						12000 Nm					
n_a [1/min]	M_{amax} [Nm]	F_{Ra} [N]	φ (/R) [']	i	DR63 DRS71S DRS71M	DRS80	DRS90M	DRS90L DRS100M	DRS100LC	DRS132S DRS132M	DRS132MC DRS160
0.59	12000	90000	-	2357							
0.69	12000	90000	-	2038							
0.78	12000	90000	-	1784							
0.87	12000	90000	-	1606							
1.0	12000	90000	-	1390							
1.1	12000	90000	-	1220							
1.3	12000	90000	-	1077							
1.5	12000	90000	-	930							
1.7	12000	90000	-	820							
1.9	12000	90000	-	727							
2.2	12000	90000	-	648							
2.6	12000	90000	-	549							
2.8	12000	90000	-	495							
3.3	12000	90000	-	428							
3.7	12000	90000	-	376							

F127R87, $n_e = 1400$ 1/min						12000 Nm						
n_a [1/min]	M_{amax} [Nm]	F_{Ra} [N]	φ (/R) [']	i	DRS80	DRS90M	DRS90L DRS100M	DRS100LC	DRS132S DRS132M	DRS132MC DRS160	DRS180M DRS180L	DRS180HC
3 2												
2.9	12000	90000	-	483								
3.3	12000	90000	-	418								
3.7	12000	90000	-	374								
4.5	12000	90000	-	312								
4.8	12000	90000	-	293								
5.4	12000	90000	-	259								
6.3	12000	90000	-	223								
7.1	12000	90000	-	198								
8.4	12000	90000	-	166								

F157, $n_e = 1400$ 1/min						18000 Nm					
n_a [1/min]	M_{amax} [Nm]	F_{Ra} [N]	φ (/R) [']	i	DRS160	DRS180M DRS180L	DRS180HC DRS225S DRS225M	DRS225MC DV280	DRS315K DRS315S	DRS315M DRS315L	
3											
5.2	18000	100300	5	267.43							
6.4	18000	100300	5	217.62*							
7.9	18000	100300	5	178.20*							
8.6	18000	100300	5	162.96							
9.9	18000	100300	5	141.80*							
11	18000	100300	5	125.14							
13	18000	100300	5	108.49							
15	18000	100300	5	96.53*							
16	18000	95800	5	85.80*							
18	18000	92300	5	78.46							
21	18000	87000	5	68.28*							
23	18000	82500	5	60.25							
27	18000	77500	5	52.24							
30	18000	73600	5	46.48*							
35	18000	68900	5	40.06							
43	18000	62500	5	32.55							
51	18000	57800	5	27.60							
2											
26	8000	98400	4	53.55							
32	10000	87800	4	43.94*							
39	11000	79300	4	35.75*							

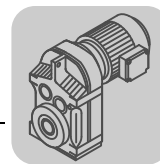


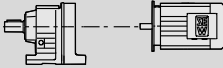

F157, $n_e = 1400$ 1/min						18000 Nm					
n_a [1/min]	M_{amax} [Nm]	F_{Ra} [N]	$\varphi/(R)$ [']	i	DRS160	DRS180M DRS180L	DRS180HC DRS225S DRS225M	DRS225MC DV280	DRS315K DRS315S	DRS315M DRS315L	
49	17000	60800	4	28.60*							
55	15000	61500	4	25.43							
63	18000	51800	4	22.16							
71	17000	50900	4	19.77							
83	18000	44900	5	16.85							
100	17000	42500	5	13.96							
117	16000	40900	5	11.92							

F157R97, $n_e = 1400$ 1/min						18000 Nm							
n_a [1/min]	M_{amax} [Nm]	F_{Ra} [N]	$\varphi/(R)$ [']	i	DRS71M	DRS80	DRS90M	DRS90L DRS100M	DRS100LC	DRS132S DRS132M	DRS132MC DRS160	DRS180M DRS180L	DRS180HC DRS225S DRS225M
					3 3								
0.04	18000	100300	-	31434									
0.05	18000	100300	-	26173									
0.06	18000	100300	-	23464									
0.07	18000	100300	-	20212									
0.08	18000	100300	-	17984									
0.09	18000	100300	-	16358									
0.10	18000	100300	-	13751									
0.11	18000	100300	-	12235									
0.14	18000	100300	-	10033									
0.16	18000	100300	-	9021									
0.17	18000	100300	-	8026									
0.20	18000	100300	-	7075									
0.22	18000	100300	-	6295									
0.26	18000	100300	-	5404									
0.29	18000	100300	-	4831									
0.34	18000	100300	-	4130									
0.39	18000	100300	-	3607									
0.44	18000	100300	-	3210									
0.50	18000	100300	-	2780									
0.97	18000	100300	-	1441									
					3 2								
0.58	18000	100300	-	2427									
0.64	18000	100300	-	2185									
0.72	18000	100300	-	1944									
0.84	18000	100300	-	1674									
1.1	18000	100300	-	1308									
1.2	18000	100300	-	1169									
1.5	18000	100300	-	953									
1.7	18000	100300	-	845									
1.8	18000	100300	-	764									
2.1	18000	100300	-	680									
2.4	18000	100300	-	576									
2.8	18000	100300	-	503									
3.1	18000	100300	-	446									
4.0	18000	100300	-	353									
4.6	18000	100300	-	302									
5.1	18000	100300	-	273									
6.0	18000	100300	-	232									
6.9	18000	100300	-	202									
7.1	18000	100300	-	197									


10.3 F..DRS [kW]

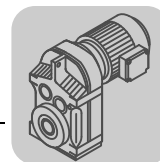
P_m [kW]	n_a [1/min]	M_a [Nm]	i	$F_{Ra}^{1)}$ [N]	SEW f_B					m [kg]		
0.12	0.06	13900	22323	86700	0.85							
	0.07	11800	19048	90000	1.00	FA	127R77	DR	63S4	425	401	
	0.08	10300	16656	90000	1.15	FAF	127R77	DR	63S4	465	401	
	0.09	9180	14722	90000	1.30	F	127R77	DR	63S4	460	401	
	0.11	7990	12912	90000	1.50	FF	127R77	DR	63S4	510	401	
	0.12	7040	11656	90000	1.70							
	0.14	6310	10191	90000	1.90							
	0.09	9200	14767	45500	0.85							
	0.12	7070	11348	51400	1.10							
	0.14	5740	10039	54600	1.35							
	0.16	4670	8548	57000	1.65	FA	107R77	DR	63S4	275	401	
	0.18	4750	7674	56800	1.60	FAF	107R77	DR	63S4	295	401	
	0.20	4090	6767	58200	1.90	F	107R77	DR	63S4	290	401	
	0.23	3460	5954	59500	2.2	FF	107R77	DR	63S4	320	401	
0.26	2990	5223	60400	2.6								
0.30	2840	4567	60700	2.7								
0.39	2120	3521	62000	3.6								
0.21	4140	6469	30400	1.05	FA	97R57	DR	63S4	185	401		
0.25	3820	5615	31300	1.15	FAF	97R57	DR	63S4	205	401		
0.28	3320	4961	32500	1.30	F	97R57	DR	63S4	190	401		
0.32	2900	4333	33500	1.50	FF	97R57	DR	63S4	225	401		
0.35	2690	3906	34000	1.60	FA	97R57	DR	63S4	180	401		
0.41	2320	3352	34800	1.85	FAF	97R57	DR	63S4	205	401		
0.47	1910	2907	35500	2.2	F	97R57	DR	63S4	190	401		
0.54	1750	2553	35800	2.4	FF	97R57	DR	63S4	225	401		
0.33	2760	4245	23800	1.10	FA	87R57	DR	63S4	120	401		
0.37	2210	3721	25800	1.35	FAF	87R57	DR	63S4	130	401		
					F	87R57	DR	63S4	125	401		
					FF	87R57	DR	63S4	140	401		
0.43	2240	3244	25700	1.35								
0.48	1990	2881	26500	1.50								
0.54	1780	2576	27100	1.70	FA	87R57	DR	63S4	115	401		
0.63	1510	2199	27800	2.00	FAF	87R57	DR	63S4	130	401		
0.72	1300	1930	28300	2.3	F	87R57	DR	63S4	125	401		
0.81	1170	1709	28600	2.6	FF	87R57	DR	63S4	140	401		
0.92	1030	1493	28900	2.9								
1.1	820	1300	29300	3.7								
1.2	745	1148	29500	4.0								
0.53	1820	2613	13000	0.80	FA	77R37	DR	63S4	65	401		
0.60	1570	2284	15200	0.95	FAF	77R37	DR	63S4	72	401		
0.68	1380	2029	16400	1.10	F	77R37	DR	63S4	69	401		
					FF	77R37	DR	63S4	80	401		
0.80	1180	1728	17500	1.25								
0.89	1090	1544	17900	1.40								
1.0	950	1354	18500	1.55	FA	77R37	DR	63S4	65	401		
1.2	840	1200	18800	1.75	FAF	77R37	DR	63S4	72	401		
1.3	740	1053	19100	2.0	F	77R37	DR	63S4	69	401		
1.5	630	910	19400	2.4	FF	77R37	DR	63S4	80	401		
1.7	525	810	19600	2.8								
1.9	460	710	19800	3.2								
0.97	960	1429	7070	0.85								
1.1	860	1271	9840	0.95								
1.2	725	1102	11100	1.15								
1.4	635	970	11700	1.30	FA	67R37	DR	63S4	43	401		
1.6	560	858	12100	1.45	FAF	67R37	DR	63S4	49	401		
1.8	490	755	12400	1.65	F	67R37	DR	63S4	46	401		
2.2	415	641	12700	1.95	FF	67R37	DR	63S4	52	401		
2.4	390	572	12800	2.1								
2.7	330	509	13000	2.5								
3.2	285	437	13000	2.8								
1.6	610	851	9100	1.00								
1.9	520	738	9750	1.15	FA	57R37	DR	63S4	39	401		
2.1	455	646	10200	1.30	FAF	57R37	DR	63S4	45	401		
2.5	385	558	10600	1.55	F	57R37	DR	63S4	39	401		
2.7	345	506	10900	1.75	FF	57R37	DR	63S4	46	401		
3.0	295	452	11100	2.0								

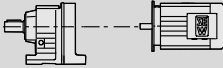



P _m [kW]	n _a [1/min]	M _a [Nm]	i	F _{Ra} ¹⁾ [N]	SEW f _B					m [kg]	
						FA	FAF	F	FF		
0.12	3.2	310	426	11100	1.95						
	3.6	270	382	11300	2.2	FA	57R37	DR	63S4	38	401
	4.2	230	330	11500	2.6	FAF	57R37	DR	63S4	44	401
	4.6	210	298	11500	2.8	F	57R37	DR	63S4	39	401
	5.3	185	262	11500	3.2	FF	57R37	DR	63S4	45	401
	2.5	385	543	6100	1.05	FA	47R17	DR	63S4	24	401
	2.9	330	475	6740	1.20	FAF	47R17	DR	63S4	26	401
	3.3	290	419	7150	1.40	F	47R17	DR	63S4	25	401
						FF	47R17	DR	63S4	28	401
	2.6	380	524	6190	1.05						
2.8	350	489	6530	1.15	FA	47R17	DR	63S4	23	401	
3.2	300	427	7020	1.30	FAF	47R17	DR	63S4	26	401	
3.6	265	381	7310	1.50	F	47R17	DR	63S4	24	401	
4.1	235	334	7550	1.70	FF	47R17	DR	63S4	27	401	
4.7	205	295	7740	1.95							
5.4	172	253	7910	2.3							
4.3	215	322	3990	0.90	FA	37R17	DR	63S4	19	401	
5.0	192	278	4400	1.05	FAF	37R17	DR	63S4	20	401	
5.7	162	242	4750	1.25	F	37R17	DR	63S4	19	401	
6.2	156	221	4820	1.30	FF	37R17	DR	63S4	21	401	
4.2	235	326	3710	0.85							
4.8	200	285	4250	1.00	FA	37R17	DR	63S4	19	401	
5.5	177	250	4590	1.15	FAF	37R17	DR	63S4	20	401	
6.3	156	219	4820	1.30	F	37R17	DR	63S4	19	401	
7.4	132	186	5040	1.50	FF	37R17	DR	63S4	21	401	
8.3	118	167	5140	1.70							
6.2	155	221	4500	0.85	FA	27R17	DR	63S4	13	401	
8.0	119	172	4500	1.10	FAF	27R17	DR	63S4	14	401	
9.0	104	153	4500	1.25	F	27R17	DR	63S4	13	401	
11	87	130	4500	1.50	FF	27R17	DR	63S4	14	401	
6.5	150	211	4500	0.85							
7.4	131	186	4500	1.00	FA	27R17	DR	63S4	13	401	
9.7	102	142	4500	1.25	FAF	27R17	DR	63S4	13	401	
11	88	124	4500	1.45	F	27R17	DR	63S4	13	401	
13	77	109	4500	1.70	FF	27R17	DR	63S4	14	401	
14	67	96	4500	1.95							
3.9	290	228.99	13000	2.8	FA	67	DR	63M6	32	368	
4.6	245	195.39	13000	3.3	FAF	67	DR	63M6	38	367	
5.3	215	170.85	13000	3.8	F	67	DR	63M6	35	366	
5.6	205	162.31	13000	4.0	FF	67	DR	63M6	41	367	
6.3	181	142.40	13000	4.5							
4.5	250	199.70	11400	2.4	FA	57	DR	63M6	28	363	
4.9	230	183.60	11500	2.6	FAF	57	DR	63M6	34	362	
5.7	200	157.09	11500	3.0	F	57	DR	63M6	28	361	
6.6	173	136.16	11500	3.5	FF	57	DR	63M6	35	362	
7.1	162	127.27	11500	3.7							
6.9	166	199.70	11500	3.6	FA	57	DR	63S4	28	363	
7.5	152	183.60	11500	3.9	FAF	57	DR	63S4	34	362	
8.8	130	157.09	11500	4.6	F	57	DR	63S4	28	361	
10	113	136.16	11500	5.3	FF	57	DR	63S4	35	362	
4.7	240	190.76	7510	1.65							
5.1	220	175.38	7640	1.80							
6.0	191	150.06	7820	2.1	FA	47	DR	63M6	21	358	
6.9	166	130.07	7940	2.4	FAF	47	DR	63M6	24	357	
7.4	155	121.57	7990	2.6	F	47	DR	63M6	22	356	
8.6	134	105.09	8060	3.0	FF	47	DR	63M6	25	357	
10	114	89.29	8130	3.5							
11	102	79.72	8160	3.9							
7.2	158	190.76	7970	2.5	FA	47	DR	63S4	21	358	
7.9	146	175.38	8020	2.8	FAF	47	DR	63S4	24	357	
9.2	125	150.06	8100	3.2	F	47	DR	63S4	22	356	
11	108	130.07	8150	3.7	FF	47	DR	63S4	25	357	
7.0	164	128.51	4740	1.20	FA	37	DR	63M6	16	353	
7.6	150	117.88	4880	1.35	FAF	37	DR	63M6	18	352	
9.0	128	100.36	5070	1.55	F	37	DR	63M6	16	351	
10	110	86.53	5190	1.80	FF	37	DR	63M6	18	352	
11	103	80.65	5240	1.95							



P_m [kW]	n_a [1/min]	M_a [Nm]	i	$F_{Ra}^{1)}$ [N]	SEW f_B					m [kg]		
0.12	11	107	128.51	5220	1.85							
	12	98	117.88	5270	2.0	FA	37	DR	63S4	16	353	
	14	83	100.36	5340	2.4	FAF	37	DR	63S4	18	352	
	16	72	86.53	5400	2.8	F	37	DR	63S4	16	351	
	17	67	80.65	5410	3.0	FF	37	DR	63S4	18	352	
	8.2	140	109.90	4500	0.95	FA	27	DR	63M6	9.9	349	
	9.5	121	94.76	4500	1.10	FAF	27	DR	63M6	11	348	
	10	112	88.32	4500	1.15	F	27	DR	63M6	10	347	
	12	98	77.21	4500	1.30	FF	27	DR	63M6	11	348	
	9.8	117	140.74	4500	1.10							
	11	107	129.09	4500	1.20							
	13	91	109.90	4500	1.40							
	15	79	94.76	4500	1.65							
	16	73	88.32	4500	1.75							
	18	64	77.21	4500	2.0	FA	27	DR	63S4	9.9	349	
	19	60	72.37	4500	2.2	FAF	27	DR	63S4	11	348	
	22	53	63.86	4500	2.4	F	27	DR	63S4	10	347	
	24	47	56.62	4500	2.8	FF	27	DR	63S4	11	348	
	28	42	50.19	4500	3.1							
	30	39	46.78	4500	3.4							
	34	34	40.89	4500	3.8							
	36	32	38.33	4430	4.1							
	41	28	33.83	4270	4.6							
	47	24	29.56	4100	5.3							
	51	23	27.18	4000	5.8							
	59	19	23.25	3820	6.7							
	68	17	20.15	3650	7.8							
	73	16	18.84	3580	8.3							
	85	14	16.28	3420	9.6							
	100	12	13.84	3250	11							
	112	10	12.35	3140	13	FA	27	DR	63S4	9.6	349	
	131	8.8	10.55	2990	15	FAF	27	DR	63S4	10	348	
	140	8.2	9.88	2920	16	F	27	DR	63S4	10	347	
147	7.8	9.40	2870	17	FF	27	DR	63S4	11	348		
170	6.7	8.13	2740	18								
200	5.7	6.91	2600	20								
224	5.1	6.17	2510	21								
262	4.4	5.27	2390	23								
280	4.1	4.93	2340	23								
332	3.5	4.16	2210	25								
0.18	0.10	13600	12912	87200	0.90							
	0.11	12100	11656	90000	1.00	FA	127R77	DR	63M4	425	401	
	0.13	10700	10191	90000	1.10	FAF	127R77	DR	63M4	465	401	
	0.15	8940	8831	90000	1.35	F	127R77	DR	63M4	460	401	
	0.17	7740	7643	90000	1.55	FF	127R77	DR	63M4	510	401	
	0.20	7130	6715	90000	1.70							
	0.15	8440	8548	47700	0.90							
	0.17	8130	7674	48600	0.95							
	0.20	7070	6767	51400	1.10	FA	107R77	DR	63M4	275	401	
	0.22	6080	5954	53800	1.25	FAF	107R77	DR	63M4	295	401	
	0.25	5290	5223	55700	1.45	F	107R77	DR	63M4	290	401	
	0.29	4850	4567	56600	1.60	FF	107R77	DR	63M4	320	401	
	0.37	3670	3521	59100	2.1							
	0.43	3250	3037	59900	2.4	FA	107R77	DR	63M4	275	401	
	0.48	2950	2756	60500	2.6	FAF	107R77	DR	63M4	295	401	
	0.56	2540	2369	61200	3.0	F	107R77	DR	63M4	290	401	
	0.64	2210	2068	61800	3.5	FF	107R77	DR	63M4	315	401	
	0.30	4800	4333	22800	0.90	FA	97R57	DR	63M4	185	401	
						FAF	97R57	DR	63M4	205	401	
						F	97R57	DR	63M4	190	401	
					FF	97R57	DR	63M4	225	401		



P _m [kW]	n _a [1/min]	M _a [Nm]	i	F _{Ra} ¹⁾ [N]	SEW f _B					m [kg]	
0.18	0.34	4420	3906	29500	0.95						
	0.39	3800	3352	31300	1.15						
	0.45	3210	2907	32800	1.35						
	0.52	2890	2553	33600	1.50	FA	97R57	DR	63M4	180	401
	0.59	2540	2245	34300	1.70	FAF	97R57	DR	63M4	205	401
	0.67	2210	1970	35000	1.95	F	97R57	DR	63M4	190	401
	0.77	1950	1722	35500	2.2	FF	97R57	DR	63M4	225	401
	0.86	1730	1527	35900	2.5						
	0.99	1420	1327	36400	3.0						
	1.1	1330	1171	36500	3.2						
0.51	2920	2576	22300	1.00							
0.60	2490	2199	24800	1.20							
0.68	2160	1930	25900	1.40							
0.77	1930	1709	26600	1.55	FA	87R57	DR	63M4	115	401	
0.88	1690	1493	27300	1.75	FAF	87R57	DR	63M4	130	401	
1.0	1390	1300	28100	2.1	F	87R57	DR	63M4	125	401	
1.2	1250	1148	28400	2.4	FF	87R57	DR	63M4	140	401	
1.3	1080	1010	28800	2.8							
1.5	970	887	29000	3.1							
1.7	830	780	29300	3.6							
0.86	1770	1544	13500	0.85							
0.98	1550	1354	15300	0.95							
1.1	1380	1200	16500	1.10	FA	77R37	DR	63M4	65	401	
1.2	1210	1053	17400	1.25	FAF	77R37	DR	63M4	72	401	
1.4	1030	910	18200	1.45	F	77R37	DR	63M4	69	401	
1.6	880	810	18700	1.70	FF	77R37	DR	63M4	80	401	
1.9	780	710	19000	1.90							
2.2	690	615	19300	2.2							
1.5	940	858	8660	0.85							
1.8	820	755	10200	1.00	FA	67R37	DR	63M4	43	401	
2.1	700	641	11200	1.15	FAF	67R37	DR	63M4	49	401	
2.3	645	572	11600	1.25	F	67R37	DR	63M4	46	401	
2.6	555	509	12100	1.45	FF	67R37	DR	63M4	52	401	
3.0	480	437	12500	1.70							
3.4	430	384	12700	1.90							
2.6	575	500	12000	1.40							
2.9	525	454	12300	1.55	FA	67R37	DR	63M4	42	401	
3.4	450	392	12600	1.80	FAF	67R37	DR	63M4	48	401	
4.0	380	333	12900	2.2	F	67R37	DR	63M4	45	401	
4.4	335	297	13000	2.4	FF	67R37	DR	63M4	51	401	
5.1	295	261	13000	2.8							
5.6	260	238	13000	3.1							
6.6	215	200	13000	3.7							
2.4	635	558	7570	0.95	FA	57R37	DR	63M4	39	401	
2.6	570	506	9420	1.05	FAF	57R37	DR	63M4	45	401	
2.9	495	452	9930	1.20	F	57R37	DR	63M4	39	401	
3.4	425	386	10400	1.40	FF	57R37	DR	63M4	46	401	
3.9	370	338	10700	1.60							
3.1	500	426	9910	1.20	FA	57R37	DR	63M4	38	401	
3.5	445	382	10300	1.35	FAF	57R37	DR	63M4	44	401	
4.0	380	330	10700	1.55	F	57R37	DR	63M4	39	401	
4.4	340	298	10900	1.75	FF	57R37	DR	63M4	45	401	
5.0	300	262	11100	2.00							
5.8	255	226	11400	2.3							
6.6	220	200	11500	2.7							
3.6	410	370	5210	0.95	FA	47R17	DR	63M4	24	401	
4.1	375	324	6250	1.05	FAF	47R17	DR	63M4	26	401	
4.6	325	288	6810	1.20	F	47R17	DR	63M4	25	401	
5.3	275	249	7250	1.45	FF	47R17	DR	63M4	28	401	
4.0	385	334	6100	1.05							
4.5	335	295	6680	1.20	FA	47R17	DR	63M4	23	401	
5.2	285	253	7190	1.40	FAF	47R17	DR	63M4	26	401	
6.1	250	217	7430	1.55	F	47R17	DR	63M4	24	401	
7.0	220	190	7650	1.80	FF	47R17	DR	63M4	27	401	
7.4	205	178	7740	1.95							
7.1	215	186	4060	0.95	FA	37R17	DR	63M4	19	401	
7.9	194	167	4380	1.05	FAF	37R17	DR	63M4	20	401	
9.1	171	145	4660	1.15	F	37R17	DR	63M4	19	401	
10	151	129	4870	1.30	FF	37R17	DR	63M4	21	401	



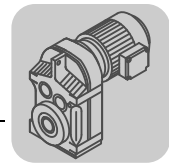
P _m [kW]	n _a [1/min]	M _a [Nm]	i	F _{Ra} ¹⁾ [N]	SEW f _B					m [kg]	
						FA	FAF	F	FF		
0.18	9.3	166	142	4500	0.80	27R17	DR	63M4	13	401	
	11	144	124	4500	0.90	27R17	DR	63M4	13	401	
	12	126	109	4500	1.05	27R17	DR	63M4	13	401	
	14	110	96	4500	1.20	27R17	DR	63M4	14	401	
	3.1	555	281.71	19600	2.7	77	DR	63L6	56	373	
	3.3	515	262.93	19700	2.9	77	DR	63L6	63	372	
	3.8	445	225.79	19800	3.4	77	DR	63L6	60	371	
						77	DR	63L6	71	372	
	3.8	450	228.99	12600	1.80	67	DR	63L6	33	368	
	4.4	385	195.39	12900	2.1	67	DR	63L6	39	367	
	5.1	335	170.85	13000	2.4	67	DR	63L6	36	366	
						67	DR	63L6	42	367	
	5.8	295	228.99	13000	2.8	67	DR	63M4	32	368	
	6.8	250	195.39	13000	3.2	67	DR	63M4	38	367	
	7.7	220	170.85	13000	3.7	67	DR	63M4	35	366	
						67	DR	63M4	41	367	
	4.4	390	199.70	10600	1.50						
	4.7	360	183.60	10800	1.65	57	DR	63L6	29	363	
	5.5	310	157.09	11100	1.95	57	DR	63L6	34	362	
	6.4	265	136.16	11300	2.2	57	DR	63L6	29	361	
	6.8	250	127.27	11400	2.4	57	DR	63L6	29	361	
	7.9	215	110.01	11500	2.8	57	DR	63L6	36	362	
	6.6	260	199.70	11300	2.3	57	DR	63M4	28	363	
	7.2	235	183.60	11500	2.5	57	DR	63M4	34	362	
	8.4	200	157.09	11500	2.9	57	DR	63M4	28	361	
	9.7	177	136.16	11500	3.4	57	DR	63M4	28	361	
	10	166	127.27	11500	3.6	57	DR	63M4	35	362	
	4.6	375	190.76	6240	1.05	47	DR	63L6	22	358	
	5.0	345	175.38	6600	1.15	47	DR	63L6	24	357	
	5.8	295	150.06	7090	1.35	47	DR	63L6	22	356	
	6.7	255	130.07	7410	1.55	47	DR	63L6	22	356	
	7.2	240	121.57	7530	1.65	47	DR	63L6	26	357	
	6.9	245	190.76	7470	1.60	47	DR	63M4	21	358	
	7.5	225	175.38	7600	1.75	47	DR	63M4	24	357	
	8.8	195	150.06	7800	2.0	47	DR	63M4	22	356	
	10	169	130.07	7920	2.4	47	DR	63M4	22	356	
	11	158	121.57	7970	2.5	47	DR	63M4	25	357	
	7.4	230	117.88	3750	0.85	37	DR	63L6	17	353	
	8.7	198	100.36	4320	1.00	37	DR	63L6	18	352	
10	171	86.53	4660	1.15	37	DR	63L6	17	351		
11	159	80.65	4790	1.25	37	DR	63L6	17	351		
12	139	70.50	4970	1.45	37	DR	63L6	19	352		
10	167	128.51	4700	1.20							
11	154	117.88	4840	1.30	37	DR	63M4	16	353		
13	131	100.36	5040	1.55	37	DR	63M4	18	352		
15	113	86.53	5180	1.75	37	DR	63M4	16	351		
16	105	80.65	5230	1.90	37	DR	63M4	16	351		
19	92	70.50	5300	2.2	37	DR	63M4	18	352		
20	86	66.09	5330	2.3							
23	76	58.32	5380	2.6							
12	143	109.90	4500	0.90							
14	123	94.76	4500	1.05							
15	115	88.32	4500	1.15							
17	100	77.21	4500	1.30							
18	94	72.37	4500	1.40	27	DR	63M4	9.9	349		
21	83	63.86	4500	1.55	27	DR	63M4	11	348		
23	74	56.62	4500	1.75	27	DR	63M4	10	347		
26	65	50.19	4500	2.00	27	DR	63M4	11	348		
28	61	46.78	4500	2.1							
32	53	40.89	4410	2.4							
34	50	38.33	4340	2.6							
39	44	33.83	4200	3.0							

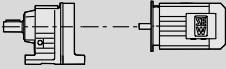



P _m [kW]	n _a [1/min]	M _a [Nm]	i	F _{Ra} ¹⁾ [N]	SEW f _B					m [kg]		
						FA	FAF	F	FF			DR
0.18	45	38	29.56	4040	3.4							
	49	35	27.18	3950	3.7							
	57	30	23.25	3780	4.3							
	65	26	20.15	3630	5.0							
	70	24	18.84	3560	5.3							
	81	21	16.28	3410	6.1							
	95	18	13.84	3240	7.2							
	107	16	12.35	3140	8.1	FA	27	DR	63M4	9.6	349	
	125	14	10.55	2990	9.5	FAF	27	DR	63M4	10	348	
	134	13	9.88	2930	10	F	27	DR	63M4	10	347	
	140	12	9.40	2870	11	FF	27	DR	63M4	11	348	
	162	11	8.13	2750	12							
	191	9.0	6.91	2610	13							
	214	8.0	6.17	2520	14							
	251	6.9	5.27	2400	14							
	268	6.4	4.93	2350	15							
	318	5.4	4.16	2230	16							
	335	5.1	8.13	2190	24							
	394	4.4	6.91	2080	26	FA	27	DR	63S2	9.6	349	
	441	3.9	6.17	2000	28	FAF	27	DR	63S2	10	348	
516	3.3	5.27	1910	30	F	27	DR	63S2	10	347		
551	3.1	4.93	1870	31	FF	27	DR	63S2	11	348		
655	2.6	4.16	1770	34								
0.25	0.15	13300	8831	87900	0.90							
	0.17	11500	7643	90000	1.05	FA	127R77	DR	63L4	425	401	
	0.19	10400	6715	90000	1.15	FAF	127R77	DR	63L4	465	401	
	0.22	9230	5925	90000	1.30	F	127R77	DR	63L4	465	401	
	0.25	7940	5153	90000	1.50	FF	127R77	DR	63L4	510	401	
	0.29	6890	4533	90000	1.75							
	0.22	9050	5954	46000	0.85	FA	107R77	DR	63L4	275	401	
	0.25	7890	5223	49300	0.95	FAF	107R77	DR	63L4	295	401	
	0.28	7120	4567	51300	1.10	F	107R77	DR	63L4	290	401	
	0.37	5430	3521	55300	1.40	FF	107R77	DR	63L4	320	401	
	0.43	4780	3037	56800	1.60							
	0.47	4340	2756	57700	1.75	FA	107R77	DR	63L4	275	401	
	0.55	3730	2369	59000	2.1	FAF	107R77	DR	63L4	295	401	
	0.63	3250	2068	59900	2.4	F	107R77	DR	63L4	290	401	
	0.81	2490	1597	61300	3.1	FF	107R77	DR	63L4	320	401	
	0.93	2150	1401	61900	3.6							
	0.45	4670	2907	27500	0.90							
	0.51	4180	2553	30300	1.05							
	0.58	3670	2245	31600	1.15	FA	97R57	DR	63L4	185	401	
	0.66	3200	1970	32800	1.35	FAF	97R57	DR	63L4	205	401	
	0.75	2820	1722	33700	1.50	F	97R57	DR	63L4	190	401	
	0.85	2500	1527	34400	1.70	FF	97R57	DR	63L4	225	401	
	0.98	2090	1327	35200	2.0							
	1.1	1910	1171	35500	2.2							
	1.3	1670	1022	36000	2.6							
	0.67	3130	1930	13500	0.95							
	0.76	2790	1709	23700	1.05							
	0.87	2440	1493	25000	1.25	FA	87R57	DR	63L4	120	401	
	1.0	2050	1300	26300	1.45	FAF	87R57	DR	63L4	130	401	
	1.1	1830	1148	26900	1.65	F	87R57	DR	63L4	125	401	
	1.3	1590	1010	27600	1.90	FF	87R57	DR	63L4	140	401	
	1.5	1410	887	28000	2.1							
	1.7	1230	780	28500	2.4							
	1.9	1040	674	28900	2.9							
	1.2	1740	1053	13900	0.85							
	1.4	1490	910	15700	1.00							
1.6	1290	810	16900	1.15	FA	77R37	DR	63L4	66	401		
1.8	1130	710	17700	1.30	FAF	77R37	DR	63L4	72	401		
2.1	1000	615	18300	1.50	F	77R37	DR	63L4	70	401		
2.4	870	538	18700	1.70	FF	77R37	DR	63L4	80	401		
2.7	775	480	19000	1.95								
3.2	660	413	19400	2.3								
2.3	930	572	9150	0.90	FA	67R37	DR	63L4	44	401		
2.6	810	509	10400	1.00	FAF	67R37	DR	63L4	50	401		
3.0	700	437	11200	1.15	F	67R37	DR	63L4	46	401		
					FF	67R37	DR	63L4	53	401		



P_m [kW]	n_a [1/min]	M_a [Nm]	i	$F_{Ra}^{1)}$ [N]	SEW f_B					m [kg]		
0.25	2.6	830	500	10200	1.00							
	2.9	755	454	10800	1.10	FA	67R37	DR	63L4	42	401	
	3.3	650	392	11600	1.25	FAF	67R37	DR	63L4	49	401	
	3.9	550	333	12200	1.50	F	67R37	DR	63L4	45	401	
	4.4	485	297	12500	1.70	FF	67R37	DR	63L4	51	401	
	5.0	425	261	12700	1.90							
	5.5	385	238	12900	2.1							
	3.4	620	386	8830	0.95	FA	57R37	DR	63L4	40	401	
	3.8	540	338	9640	1.10	FAF	57R37	DR	63L4	45	401	
	5.1	405	255	10500	1.45	F	57R37	DR	63L4	40	401	
					FF	57R37	DR	63L4	46	401		
3.4	635	382	7390	0.95								
3.9	550	330	9570	1.10	FA	57R37	DR	63L4	39	401		
4.4	495	298	9950	1.20	FAF	57R37	DR	63L4	45	401		
5.0	435	262	10300	1.35	F	57R37	DR	63L4	39	401		
5.8	370	226	10700	1.60	FF	57R37	DR	63L4	46	401		
6.5	320	200	11000	1.85								
7.6	275	170	11300	2.2								
5.2	400	249	5880	1.00	FA	47R17	DR	63L4	24	401		
6.0	355	218	6470	1.10	FAF	47R17	DR	63L4	27	401		
6.7	315	193	6920	1.25	F	47R17	DR	63L4	25	401		
7.4	285	175	7180	1.40	FF	47R17	DR	63L4	28	401		
5.1	410	253	4980	0.95								
6.0	365	217	6380	1.10	FA	47R17	DR	63L4	24	401		
6.8	315	190	6900	1.25	FAF	47R17	DR	63L4	26	401		
7.3	295	178	7090	1.35	F	47R17	DR	63L4	25	401		
8.7	245	149	7480	1.60	FF	47R17	DR	63L4	28	401		
9.9	215	131	7670	1.85								
8.9	245	145	3420	0.80	FA	37R17	DR	63L4	20	401		
10	215	129	4040	0.90	FAF	37R17	DR	63L4	21	401		
11	198	118	4320	1.00	F	37R17	DR	63L4	20	401		
13	164	98	4740	1.20	FF	37R17	DR	63L4	22	401		
15	144	87	4940	1.40								
3.2	750	281.71	19100	2.0	FA	77	DRS	71S6	58	373		
3.4	700	262.93	19300	2.1	FAF	77	DRS	71S6	65	372		
4.0	600	225.79	19500	2.5	F	77	DRS	71S6	62	371		
4.5	525	198.31	19600	2.8	FF	77	DRS	71S6	73	372		
4.8	500	188.40	19700	3.0								
3.9	610	228.99	11800	1.35	FA	67	DRS	71S6	34	368		
4.6	520	195.39	12300	1.55	FAF	67	DRS	71S6	41	367		
5.2	455	170.85	12600	1.80	F	67	DRS	71S6	37	366		
5.5	430	162.31	12700	1.90	FF	67	DRS	71S6	43	367		
6.3	375	142.40	12900	2.2								
5.7	420	228.99	12700	1.95	FA	67	DR	63L4	33	368		
6.6	355	195.39	13000	2.3	FAF	67	DR	63L4	39	367		
7.6	310	170.85	13000	2.6	F	67	DR	63L4	36	366		
8.0	295	162.31	13000	2.8	FF	67	DR	63L4	42	367		
9.1	260	142.40	13000	3.1								
4.5	530	199.70	9700	1.15								
4.9	485	183.60	9990	1.25	FA	57	DRS	71S6	31	363		
5.7	415	157.09	10500	1.45	FAF	57	DRS	71S6	36	362		
6.6	360	136.16	10800	1.65	F	57	DRS	71S6	31	361		
7.0	335	127.27	10900	1.75	FF	57	DRS	71S6	37	362		
8.1	290	110.01	11200	2.0								
6.5	365	199.70	10800	1.65								
7.1	335	183.60	10900	1.80	FA	57	DR	63L4	29	363		
8.3	285	157.09	11200	2.1	FAF	57	DR	63L4	34	362		
9.6	250	136.16	11400	2.4	F	57	DR	63L4	29	361		
10	230	127.27	11500	2.6	FF	57	DR	63L4	36	362		
12	200	110.01	11500	3.0								
6.0	400	150.06	5920	1.00	FA	47	DRS	71S6	24	358		
6.9	345	130.07	6590	1.15	FAF	47	DRS	71S6	26	357		
7.4	320	121.57	6830	1.25	F	47	DRS	71S6	24	356		
8.5	280	105.09	7230	1.45	FF	47	DRS	71S6	27	357		

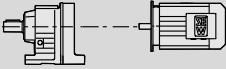



P_m [kW]	n_a [1/min]	M_a [Nm]	i	$F_{Ra}^{1)}$ [N]	SEW f_B					m [kg]	
0.25	6.8	350	190.76	6550	1.15						
	7.4	320	175.38	6850	1.25	FA	47	DR	63L4	22	358
	8.7	275	150.06	7270	1.45	FAF	47	DR	63L4	24	357
	10.0	235	130.07	7540	1.65	F	47	DR	63L4	22	356
	11	220	121.57	7640	1.80	FF	47	DR	63L4	26	357
	12	193	105.09	7810	2.1						
	15	164	89.29	7950	2.4						
	10	235	128.51	3690	0.85						
	11	215	117.88	4040	0.90						
	13	184	100.36	4500	1.10						
	15	159	86.53	4790	1.25						
	16	148	80.65	4900	1.35						
	18	130	70.50	5060	1.55	FA	37	DR	63L4	17	353
	20	121	66.09	5120	1.65	FAF	37	DR	63L4	18	352
	22	107	58.32	5210	1.85	F	37	DR	63L4	17	351
	24	100	54.54	5260	2.0	FF	37	DR	63L4	19	352
	25	95	51.70	5280	2.1						
	28	86	47.02	5330	2.3						
	30	80	43.83	5360	2.5						
	34	70	38.31	5400	2.8						
	36	66	35.91	5420	3.0						
	41	58	31.69	5440	3.4						
	17	142	77.21	4500	0.90						
	18	133	72.37	4500	1.00						
	20	117	63.86	4500	1.10	FA	27	DR	63L4	11	349
	23	104	56.62	4500	1.25	FAF	27	DR	63L4	11	348
	26	92	50.19	4440	1.40	F	27	DR	63L4	11	347
	28	86	46.78	4370	1.50	FF	27	DR	63L4	12	348
	32	75	40.89	4240	1.75						
	34	70	38.33	4180	1.85						
	38	62	33.83	4060	2.1						
	44	54	29.56	3920	2.4						
	48	50	27.18	3840	2.6						
	56	43	23.25	3690	3.0						
	64	37	20.15	3550	3.5						
	69	35	18.84	3480	3.8						
	80	30	16.28	3350	4.4						
	94	25	13.84	3200	5.1	FA	27	DR	63L4	10	349
	105	23	12.35	3090	5.7	FAF	27	DR	63L4	11	348
	123	19	10.55	2950	6.7	F	27	DR	63L4	11	347
	132	18	9.88	2900	7.2	FF	27	DR	63L4	12	348
	138	17	9.40	2840	7.5						
160	15	8.13	2720	8.3							
188	13	6.91	2590	9.0							
211	11	6.17	2500	9.6							
247	9.7	5.27	2380	10							
264	9.1	4.93	2340	11							
313	7.6	4.16	2220	11							
327	7.3	8.13	2180	17							
385	6.2	6.91	2080	18	FA	27	DR	63M2	9.6	349	
431	5.5	6.17	2000	20	FAF	27	DR	63M2	10	348	
505	4.7	5.27	1910	21	F	27	DR	63M2	10	347	
539	4.4	4.93	1870	22	FF	27	DR	63M2	11	348	
640	3.7	4.16	1770	24							
0.37	0.21	14900	6715	84600	0.80						
	0.23	13200	5925	88100	0.90	FA	127R77	DRS	71S4	430	401
	0.27	11400	5153	90000	1.05	FAF	127R77	DRS	71S4	465	401
	0.30	9930	4533	90000	1.20	F	127R77	DRS	71S4	465	401
	0.35	8690	3926	90000	1.40	FF	127R77	DRS	71S4	510	401
	0.40	7560	3454	90000	1.60						
	0.46	6610	3031	90000	1.80						
	0.45	6850	3037	52000	1.10	FA	107R77	DRS	71S4	275	401
	0.50	6210	2756	53500	1.25	FAF	107R77	DRS	71S4	295	401
	0.58	5340	2369	55500	1.45	F	107R77	DRS	71S4	290	401
	0.67	4660	2068	57000	1.65	FF	107R77	DRS	71S4	320	401
	0.86	3570	1597	59300	2.2						



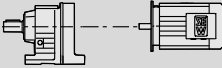

P_m [kW]	n_a [1/min]	M_a [Nm]	i	$F_{Ra}^{1)}$ [N]	SEW f_B					m [kg]	
0.37	0.70	4540	1970	29200	0.95						
	0.80	3990	1722	30800	1.10	FA	97R57	DRS	71S4	185	401
	0.90	3540	1527	32000	1.20	FAF	97R57	DRS	71S4	205	401
	1.0	2990	1327	33300	1.45	F	97R57	DRS	71S4	190	401
	1.2	2710	1171	33900	1.60	FF	97R57	DRS	71S4	225	401
	1.4	2370	1022	34700	1.80						
	1.5	2000	898	35400	2.1						
	1.1	2930	1300	22000	1.00						
	1.2	2610	1148	24400	1.15						
	1.4	2280	1010	25600	1.30	FA	87R57	DRS	71S4	120	401
	1.6	2010	887	26400	1.50	FAF	87R57	DRS	71S4	130	401
	1.8	1760	780	27100	1.70	F	87R57	DRS	71S4	125	401
	2.0	1500	674	27800	2.00	FF	87R57	DRS	71S4	140	401
	2.3	1370	609	28100	2.2						
	2.7	1150	515	28600	2.6						
	3.0	1020	452	28900	2.9						
	1.7	1840	810	11300	0.80						
	1.9	1620	710	14900	0.95						
	2.2	1420	615	16200	1.05	FA	77R37	DRS	71S4	68	401
	2.6	1240	538	17200	1.20	FAF	77R37	DRS	71S4	74	401
	2.9	1100	480	17900	1.35	F	77R37	DRS	71S4	72	401
3.4	940	413	18500	1.60	FF	77R37	DRS	71S4	82	401	
3.8	840	367	18900	1.80							
4.3	750	323	19100	2.0							
3.6	880	384	9670	0.95	FA	67R37	DRS	71S4	46	401	
4.1	785	338	10600	1.05	FAF	67R37	DRS	71S4	52	401	
4.5	700	305	11200	1.15	F	67R37	DRS	71S4	48	401	
5.4	590	257	11900	1.40	FF	67R37	DRS	71S4	55	401	
6.0	520	231	12300	1.55							
5.4	580	255	9330	1.05	FA	57R37	DRS	71S4	42	401	
6.9	455	201	10200	1.30	FAF	57R37	DRS	71S4	47	401	
7.6	410	181	10500	1.45	F	57R37	DRS	71S4	42	401	
					FF	57R37	DRS	71S4	48	401	
5.3	615	262	9070	0.95							
6.1	525	226	9740	1.15	FA	57R37	DRS	71S4	41	401	
6.9	460	200	10200	1.30	FAF	57R37	DRS	71S4	47	401	
8.1	390	170	10600	1.50	F	57R37	DRS	71S4	41	401	
9.0	345	152	10900	1.70	FF	57R37	DRS	71S4	48	401	
10	305	134	11100	1.95							
7.9	400	175	5860	1.00	FA	47R17	DRS	71S4	26	401	
9.4	340	147	6660	1.15	FAF	47R17	DRS	71S4	29	401	
11	300	130	7050	1.35	F	47R17	DRS	71S4	27	401	
					FF	47R17	DRS	71S4	30	401	
3.3	1050	270.68	28900	2.8	FA	87	DRS	71M6	99	378	
3.5	990	255.37	29000	3.0	FAF	87	DRS	71M6	110	377	
4.0	890	228.93	29200	3.4	F	87	DRS	71M6	105	376	
					FF	87	DRS	71M6	120	377	
4.0	880	225.79	18700	1.70	FA	77	DRS	71M6	60	373	
4.6	770	198.31	19100	1.95	FAF	77	DRS	71M6	66	372	
4.8	735	188.40	19200	2.0	F	77	DRS	71M6	64	371	
5.4	645	166.47	19400	2.3	FF	77	DRS	71M6	74	372	
6.4	555	142.27	19600	2.7							
4.9	720	281.71	19200	2.1	FA	77	DRS	71S4	58	373	
5.2	670	262.93	19300	2.2	FAF	77	DRS	71S4	65	372	
6.1	575	225.79	19500	2.6	F	77	DRS	71S4	62	371	
7.0	505	198.31	19700	3.0	FF	77	DRS	71S4	73	372	
4.6	760	195.39	10800	1.05							
5.3	665	170.85	11500	1.25	FA	67	DRS	71M6	36	368	
5.6	630	162.31	11700	1.30	FAF	67	DRS	71M6	42	367	
6.4	555	142.40	12100	1.45	F	67	DRS	71M6	39	366	
7.5	470	120.79	12500	1.75	FF	67	DRS	71M6	45	367	
6.0	585	228.99	12000	1.40							
7.1	500	195.39	12400	1.65	FA	67	DRS	71S4	34	368	
8.1	435	170.85	12700	1.85	FAF	67	DRS	71S4	41	367	
8.5	415	162.31	12800	1.95	F	67	DRS	71S4	37	366	
9.7	360	142.40	12900	2.2	FF	67	DRS	71S4	43	367	
11	305	120.79	13000	2.6							



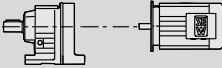

P _m [kW]	n _a [1/min]	M _a [Nm]	i	F _{Ra} ¹⁾ [N]	SEW f _B					m [kg]	
						FA	FAF	DRS	71M6		
0.37	5.8	610	157.09	9100	1.00	FA	57	DRS	71M6	32	363
	6.6	530	136.16	9700	1.15	FAF	57	DRS	71M6	37	362
	7.1	495	127.27	9940	1.20	F	57	DRS	71M6	32	361
	8.2	425	110.01	10400	1.40	FF	57	DRS	71M6	38	362
	6.9	510	199.70	9850	1.15						
	7.5	470	183.60	10100	1.30						
	8.8	400	157.09	10600	1.50	FA	57	DRS	71S4	31	363
	10	345	136.16	10900	1.70	FAF	57	DRS	71S4	36	362
	11	325	127.27	11000	1.85	F	57	DRS	71S4	31	361
	13	280	110.01	11200	2.1	FF	57	DRS	71S4	37	362
	15	235	93.47	11500	2.5						
	17	210	83.46	11500	2.8						
	9.2	380	150.06	6140	1.05						
	11	330	130.07	6740	1.20	FA	47	DRS	71S4	24	358
	13	265	105.09	7320	1.50	FAF	47	DRS	71S4	26	357
	15	225	89.29	7600	1.75	F	47	DRS	71S4	24	356
	17	200	79.72	7750	1.95	FF	47	DRS	71S4	27	357
	20	174	68.09	7900	2.3						
21	167	65.36	7930	2.4							
16	220	86.53	3960	0.90							
17	205	80.65	4200	0.95							
20	180	70.50	4550	1.10							
21	169	66.09	4680	1.20							
24	149	58.32	4880	1.35							
25	140	54.54	4970	1.45	FA	37	DRS	71S4	19	353	
27	132	51.70	5030	1.50	FAF	37	DRS	71S4	20	352	
29	120	47.02	5120	1.65	F	37	DRS	71S4	19	351	
31	112	43.83	5180	1.80	FF	37	DRS	71S4	21	352	
36	98	38.31	5270	2.0							
38	92	35.91	5300	2.2							
44	81	31.69	5300	2.5							
49	72	28.09	5140	2.8							
58	61	23.88	4930	3.3							
24	145	56.62	4080	0.90							
28	128	50.19	4010	1.00	FA	27	DRS	71S4	13	349	
30	120	46.78	3970	1.10	FAF	27	DRS	71S4	13	348	
34	105	40.89	3880	1.25	F	27	DRS	71S4	13	347	
36	98	38.33	3840	1.35	FF	27	DRS	71S4	14	348	
41	87	33.83	3750	1.50							
47	76	29.56	3650	1.70							
51	70	27.18	3580	1.85							
59	60	23.25	3460	2.2							
68	52	20.15	3340	2.5							
73	48	18.84	3290	2.7							
85	42	16.28	3170	3.1							
100	35	13.84	3040	3.7	FA	27	DRS	71S4	12	349	
112	32	12.35	2950	4.1	FAF	27	DRS	71S4	13	348	
131	27	10.55	2820	4.8	F	27	DRS	71S4	13	347	
140	25	9.88	2770	5.1	FF	27	DRS	71S4	14	348	
147	24	9.40	2710	5.4							
170	21	8.13	2600	5.9							
200	18	6.91	2490	6.4							
224	16	6.17	2410	6.9							
262	14	5.27	2300	7.4							
280	13	4.93	2250	7.6							
332	11	4.16	2140	8.2							
326	11	8.13	2150	11							
384	9.2	6.91	2050	12	FA	27	DR	63L2	10	349	
430	8.2	6.17	1980	13	FAF	27	DR	63L2	11	348	
503	7.0	5.27	1890	14	F	27	DR	63L2	11	347	
537	6.6	4.93	1850	15	FF	27	DR	63L2	12	348	
638	5.5	4.16	1750	16							
0.55	0.22	20100	6295	93100	0.90	FA	157R97	DRS	71M4	770	401
	0.26	16800	5404	103500	1.05	FAF	157R97	DRS	71M4	830	401
	0.50	8660	2780	119000	2.1	F	157R97	DRS	71M4	790	401
						FF	157R97	DRS	71M4	900	401


F..DRS
F..DRS [kW]

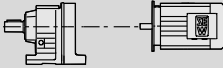


Kalasanati.com

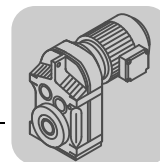
P _m [kW]	n _a [1/min]	M _a [Nm]	i	F _{Ra} ¹⁾ [N]	SEW f _B					m [kg]	
						FA	FAF	F	FF		
0.55	0.57	7660	2427	120000	2.4	FA	157R97	DRS	71M4	760	401
	0.82	5440	1674	120000	3.3	FAF	157R97	DRS	71M4	820	401
	1.1	4200	1308	120000	4.3	F	157R97	DRS	71M4	790	401
	1.2	3680	1169	120000	4.9	FF	157R97	DRS	71M4	890	401
	0.35	13200	3926	88100	0.90	FA	127R77	DRS	71M4	430	401
	0.40	11500	3454	90000	1.05	FAF	127R77	DRS	71M4	465	401
	0.46	10100	3031	90000	1.20	F	127R77	DRS	71M4	465	401
						FF	127R77	DRS	71M4	510	401
	0.58	8120	2369	48600	0.95						
	0.67	7090	2068	51400	1.10						
	0.76	6090	1826	53800	1.25						
	0.86	5450	1597	55300	1.40	FA	107R77	DRS	71M4	275	401
	0.98	4750	1401	56900	1.60	FAF	107R77	DRS	71M4	300	401
	1.1	4140	1243	58100	1.85	F	107R77	DRS	71M4	295	401
	1.3	3710	1087	59000	2.1	FF	107R77	DRS	71M4	320	401
	1.4	3170	950	60100	2.4						
	1.7	2750	834	60800	2.8						
	2.2	2140	640	61900	3.6						
	1.0	4550	1327	29100	0.95						
	1.2	4080	1171	30500	1.05						
1.4	3570	1022	31900	1.20							
1.5	3050	898	33200	1.40	FA	97R57	DRS	71M4	185	401	
1.8	2700	784	34000	1.60	FAF	97R57	DRS	71M4	210	401	
2.0	2340	690	34700	1.85	F	97R57	DRS	71M4	195	401	
2.3	2070	605	35300	2.1	FF	97R57	DRS	71M4	225	401	
2.6	1790	529	35800	2.4							
3.0	1580	467	36100	2.7							
3.4	1360	406	36500	3.2							
3.8	1220	363	36700	3.5							
1.6	3050	887	17400	1.00							
1.8	2670	780	24200	1.10	FA	87R57	DRS	71M4	120	401	
2.0	2290	674	25500	1.30	FAF	87R57	DRS	71M4	135	401	
2.3	2080	609	26200	1.45	F	87R57	DRS	71M4	125	401	
2.7	1760	515	27100	1.70	FF	87R57	DRS	71M4	140	401	
3.0	1550	452	27700	1.95							
4.0	1160	345	28600	2.6							
2.9	1660	480	14500	0.90	FA	77R37	DRS	71M4	69	401	
3.4	1420	413	16200	1.05	FAF	77R37	DRS	71M4	76	401	
3.8	1270	367	17100	1.20	F	77R37	DRS	71M4	73	401	
4.3	1120	323	17800	1.35	FF	77R37	DRS	71M4	83	401	
5.4	890	257	9610	0.90	FA	67R37	DRS	71M4	47	401	
6.0	790	231	10500	1.05	FAF	67R37	DRS	71M4	53	401	
6.7	705	205	11200	1.15	F	67R37	DRS	71M4	50	401	
7.9	600	175	11900	1.35	FF	67R37	DRS	71M4	56	401	
3.4	1550	270.68	27700	1.95	FA	87	DRS	80S6	100	378	
3.6	1460	255.37	27900	2.0	FAF	87	DRS	80S6	115	377	
4.0	1310	228.93	28300	2.3	F	87	DRS	80S6	105	376	
4.6	1130	197.20	28700	2.6	FF	87	DRS	80S6	120	377	
5.1	1030	179.97	28900	2.9							
4.0	1290	225.79	17000	1.15	FA	77	DRS	80S6	62	373	
4.6	1130	198.31	17700	1.30	FAF	77	DRS	80S6	69	372	
4.9	1080	188.40	18000	1.40	F	77	DRS	80S6	66	371	
					FF	77	DRS	80S6	77	372	
5.5	950	166.47	18500	1.55	FA	77	DRS	80S6	62	373	
6.4	810	142.27	18900	1.85	FAF	77	DRS	80S6	69	372	
7.0	745	130.42	19100	2.0	F	77	DRS	80S6	66	371	
					FF	77	DRS	80S6	77	372	
6.1	850	225.79	18800	1.75							
7.0	750	198.31	19100	2.00							
7.3	715	188.40	19200	2.1	FA	77	DRS	71M4	60	373	
8.3	630	166.47	19400	2.4	FAF	77	DRS	71M4	66	372	
9.7	540	142.27	19600	2.8	F	77	DRS	71M4	64	371	
11	495	130.42	19700	3.0	FF	77	DRS	71M4	74	372	
12	435	114.45	19800	3.4							
13	410	108.46*	19800	3.6							
15	360	94.93	19900	4.2							

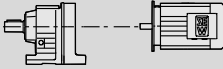



P _m [kW]	n _a [1/min]	M _a [Nm]	i	F _{Ra} ¹⁾ [N]	SEW f _B					m [kg]		
						FA	FAF	F	FF			DRS
0.55	7.1	740	195.39	10900	1.10							
	8.1	650	170.85	11600	1.25							
	8.5	615	162.31	11800	1.35							
	9.7	540	142.40	12200	1.50	FA	67		DRS	71M4	36	368
	11	455	120.79	12600	1.80	FAF	67		DRS	71M4	42	367
	13	415	109.04	12800	2.00	F	67		DRS	71M4	39	366
	14	365	95.94	12900	2.2	FF	67		DRS	71M4	45	367
	15	340	90.59	13000	2.4							
	17	300	79.76	13000	2.7							
	8.8	595	157.09	9220	1.00							
	10	515	136.16	9800	1.15							
	11	480	127.27	10000	1.25							
	13	415	110.01	10500	1.45	FA	57		DRS	71M4	32	363
	15	355	93.47	10800	1.70	FAF	57		DRS	71M4	37	362
	17	315	83.46	11000	1.90	F	57		DRS	71M4	32	361
	19	275	72.98	11300	2.2	FF	57		DRS	71M4	38	362
	20	255	68.22	11400	2.3							
23	220	58.97	11500	2.7								
13	395	105.09	5920	1.00								
15	335	89.29	6670	1.20								
17	300	79.72	7030	1.30	FA	47		DRS	71M4	25	358	
20	255	68.09	7390	1.55	FAF	47		DRS	71M4	27	357	
21	245	65.36	7470	1.60	F	47		DRS	71M4	25	356	
24	215	56.49	7690	1.85	FF	47		DRS	71M4	29	357	
29	183	48.00*	7860	2.2								
32	163	42.86	7950	2.4								
24	220	58.32	3950	0.90								
25	205	54.54	4180	0.95								
27	197	51.70	4340	1.00								
29	179	47.02	4570	1.10	FA	37		DRS	71M4	20	353	
31	167	43.83	4710	1.20	FAF	37		DRS	71M4	21	352	
36	146	38.31	4920	1.35	F	37		DRS	71M4	20	351	
38	137	35.91	5000	1.45	FF	37		DRS	71M4	22	352	
44	121	31.69	4980	1.65								
49	107	28.09	4860	1.85								
58	91	23.88	4680	2.2								
58	90	23.63	4670	2.2	FA	37		DRS	71M4	20	353	
67	78	20.57	4520	2.6	FAF	37		DRS	71M4	21	352	
72	73	19.27	4450	2.7	F	37		DRS	71M4	20	351	
81	65	17.03	4320	3.1	FF	37		DRS	71M4	22	352	
96	54	14.33	4130	3.7								
36	144	77.21	3410	0.90	FA	27		DRS	71M2	14	349	
39	135	72.37	3390	0.95	FAF	27		DRS	71M2	14	348	
44	119	63.86	3350	1.10	F	27		DRS	71M2	14	347	
50	106	56.62	3290	1.25	FF	27		DRS	71M2	15	348	
56	94	50.19	3230	1.40								
59	88	23.25	3200	1.45								
68	77	20.15	3120	1.70								
73	72	18.84	3080	1.80								
85	62	16.28	2990	2.1								
100	53	13.84	2890	2.5								
112	47	12.35	2810	2.8								
131	40	10.55	2710	3.2	FA	27		DRS	71M4	13	349	
140	38	9.88	2660	3.5	FAF	27		DRS	71M4	14	348	
147	36	9.40	2600	3.6	F	27		DRS	71M4	14	347	
170	31	8.13	2500	4.0	FF	27		DRS	71M4	15	348	
200	26	6.91	2400	4.3								
224	24	6.17	2330	4.6								
262	20	5.27	2230	5.0								
280	19	4.93	2190	5.1								
332	16	4.16	2090	5.5								
346	15	8.13	2070	8.1								
407	13	6.91	1970	8.8	FA	27		DRS	71M2	13	349	
456	12	6.17	1910	9.5	FAF	27		DRS	71M2	14	348	
533	9.8	5.27	1820	10	F	27		DRS	71M2	14	347	
570	9.2	4.93	1790	10	FF	27		DRS	71M2	15	348	
676	7.8	4.16	1700	11								



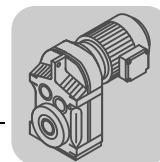
P_m [kW]	n_a [1/min]	M_a [Nm]	i	$F_{Ra}^{1)}$ [N]	SEW f_B					m [kg]		
0.75	0.51	11900	2780	114200	1.50	FA	157R97	DRS	80S4	770	401	
						FAF	157R97	DRS	80S4	830	401	
						F	157R97	DRS	80S4	790	401	
						FF	157R97	DRS	80S4	900	401	
	0.58	0.84	10500	2427	116400	1.70	FA	157R97	DRS	80S4	770	401
			7450	1674	120000	2.4	FAF	157R97	DRS	80S4	830	401
			5760	1308	120000	3.1	F	157R97	DRS	80S4	790	401
			5080	1169	120000	3.5	FF	157R97	DRS	80S4	890	401
	0.47		13700	3031	87100	0.90	FA	127R77	DRS	80S4	430	401
							FAF	127R77	DRS	80S4	470	401
							F	127R77	DRS	80S4	470	401
							FF	127R77	DRS	80S4	510	401
	0.53	0.60	12300	2672	89700	0.95	FA	127R77	DRS	80S4	430	401
			10800	2357	90000	1.10	FAF	127R77	DRS	80S4	470	401
			9320	2038	90000	1.30	F	127R77	DRS	80S4	465	401
			8110	1784	90000	1.50	FF	127R77	DRS	80S4	510	401
	0.79	0.88	7280	1606	90000	1.65	FA	127R77	DRS	80S4	430	401
			8280	1826	48200	0.95						
			7360	1597	50600	1.05						
			6420	1401	53000	1.20						
	1.0	1.1	5630	1243	54900	1.35	FA	107R77	DRS	80S4	280	401
5010			1087	56300	1.55	FAF	107R77	DRS	80S4	300	401	
4300			950	57800	1.80	F	107R77	DRS	80S4	295	401	
3750			834	58900	2.0	FF	107R77	DRS	80S4	325	401	
2.2	3.2	2910	640	60500	2.6							
		1980	436	62200	3.9							
		4790	1022	23200	0.90							
		4130	898	30400	1.05							
1.4	1.6	3640	784	31700	1.20							
		3170	690	32900	1.35							
		2790	605	33800	1.55	FA	97R57	DRS	80S4	190	401	
		2430	529	34600	1.75	FAF	97R57	DRS	80S4	210	401	
2.7	3.0	2140	467	35100	2.0	F	97R57	DRS	80S4	195	401	
		1850	406	35700	2.3	FF	97R57	DRS	80S4	230	401	
		1650	363	36000	2.6							
		3100	674	15400	0.95							
2.3	2.7	2810	609	23600	1.05	FA	87R57	DRS	80S4	125	401	
		2380	515	25200	1.25	FAF	87R57	DRS	80S4	135	401	
		2090	452	26200	1.45	F	87R57	DRS	80S4	130	401	
		1570	345	27600	1.90	FF	87R57	DRS	80S4	145	401	
3.1	4.1	1710	367	14100	0.90	FA	77R37	DRS	80S4	71	401	
		1510	323	15600	1.00	FAF	77R37	DRS	80S4	78	401	
		1300	280	16900	1.15	F	77R37	DRS	80S4	75	401	
						FF	77R37	DRS	80S4	86	401	
3.3	3.6	2160	276.77	35100	2.00	FA	97	DRS	80M6	170	383	
		1980	253.41	35400	2.2	FAF	97	DRS	80M6	190	382	
		1750	223.88	35800	2.4	F	97	DRS	80M6	175	381	
						FF	97	DRS	80M6	210	382	
4.1	4.6	2110	270.68	26100	1.40	FA	87	DRS	80M6	105	378	
		1990	255.37	26400	1.50	FAF	87	DRS	80M6	115	377	
		1790	228.93	27000	1.65	F	87	DRS	80M6	110	376	
		1540	197.20	27700	1.95	FF	87	DRS	80M6	125	377	
5.1	5.7	1400	179.97	28000	2.1	FA	87	DRS	80M6	105	378	
		1240	159.61	28400	2.4	FAF	87	DRS	80M6	115	377	
						F	87	DRS	80M6	110	376	
						FF	87	DRS	80M6	125	377	
5.2	5.5	1370	270.68	28100	2.2	FA	87	DRS	80S4	100	378	
		1290	255.37	28300	2.3	FAF	87	DRS	80S4	115	377	
		1160	228.93	28600	2.6	F	87	DRS	80S4	105	376	
						FF	87	DRS	80S4	120	377	
6.2	6.4	1550	198.31	15400	0.95	FA	77	DRS	80M6	65	373	
		1470	188.40	15900	1.00	FAF	77	DRS	80M6	71	372	
		1300	166.47	16900	1.15	F	77	DRS	80M6	69	371	
		1110	142.27	17800	1.35	FF	77	DRS	80M6	79	372	
7.0		1020	130.42	18200	1.45	FA	77	DRS	80M6	65	373	
						FAF	77	DRS	80M6	71	372	
						F	77	DRS	80M6	69	371	
						FF	77	DRS	80M6	79	372	



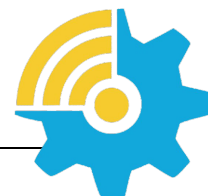
P _m [kW]	n _a [1/min]	M _a [Nm]	i	F _{Ra} ¹⁾ [N]	SEW f _B					m [kg]	
						FA	FAF	DRS	80S4		
0.75	6.2	1140	225.79	17700	1.30	FA	77	DRS	80S4	62	373
	7.1	1000	198.31	18300	1.50	FAF	77	DRS	80S4	69	372
	7.5	950	188.40	18500	1.55	F	77	DRS	80S4	66	371
						FF	77	DRS	80S4	77	372
	8.5	840	166.47	18800	1.75	FA	77	DRS	80S4	62	373
	9.9	720	142.27	19200	2.1	FAF	77	DRS	80S4	69	372
	11	660	130.42	19400	2.3	F	77	DRS	80S4	66	371
	12	580	114.45	19500	2.6	FF	77	DRS	80S4	77	372
	13	550	108.46*	19600	2.7						
	8.2	860	170.85	9860	0.95	FA	67	DRS	80S4	38	368
	8.7	820	162.31	10300	1.00	FAF	67	DRS	80S4	44	367
	9.9	720	142.40	11100	1.15	F	67	DRS	80S4	41	366
	12	610	120.79	11800	1.35	FF	67	DRS	80S4	47	367
	13	550	109.04	12100	1.50						
	15	485	95.94	12500	1.70	FA	67	DRS	80S4	38	368
	16	460	90.59	12600	1.80	FAF	67	DRS	80S4	44	367
	18	405	79.76	12800	2.0	F	67	DRS	80S4	41	366
	21	340	67.65	13000	2.4	FF	67	DRS	80S4	47	367
	23	310	61.07	13000	2.6						
	11	645	127.27	6790	0.95						
	13	555	110.01	9510	1.05	FA	57	DRS	80S4	34	363
	15	470	93.47	10100	1.25	FAF	57	DRS	80S4	40	362
	17	420	83.46	10400	1.40	F	57	DRS	80S4	34	361
	19	370	72.98	10700	1.60	FF	57	DRS	80S4	41	362
	21	345	68.22	10900	1.75						
	24	295	58.97	11100	2.0						
	28	250	50.10	11400	2.4						
	32	225	44.73	11300	2.6						
	18	400	79.72	5850	1.00	FA	47	DRS	80S4	27	358
	21	345	68.09	6600	1.15	FAF	47	DRS	80S4	30	357
	22	330	65.36	6750	1.20	F	47	DRS	80S4	28	356
						FF	47	DRS	80S4	31	357
	25	285	56.49	7170	1.40						
	29	240	48.00*	7500	1.65	FA	47	DRS	80S4	27	358
	33	215	42.86	7670	1.85	FAF	47	DRS	80S4	30	357
	39	186	36.61	7840	2.2	F	47	DRS	80S4	28	356
	41	174	34.29	7810	2.3	FF	47	DRS	80S4	31	357
	49	147	28.88	7500	2.7						
	30	235	47.02	3640	0.85						
	32	220	43.83	3940	0.90	FA	37	DRS	80S4	22	353
	37	195	38.31	4370	1.05	FAF	37	DRS	80S4	24	352
	39	182	35.91	4530	1.10	F	37	DRS	80S4	22	351
	44	161	31.69	4600	1.25	FF	37	DRS	80S4	24	352
	50	143	28.09	4520	1.40						
	60	120	23.63	4390	1.65						
	69	104	20.57	4270	1.90	FA	37	DRS	80S4	22	353
	73	98	19.27	4220	2.0	FAF	37	DRS	80S4	23	352
	83	86	17.03	4110	2.3	F	37	DRS	80S4	22	351
	98	73	14.33	3950	2.8	FF	37	DRS	80S4	24	352
	110	65	12.87	3850	3.1						
	61	118	23.25	2910	1.10						
	70	102	20.15	2870	1.25						
	75	96	18.84	2840	1.35						
	87	83	16.28	2780	1.55						
	102	70	13.84	2710	1.85						
	114	63	12.35	2650	2.1	FA	27	DRS	80S4	16	349
	134	54	10.55	2570	2.4	FAF	27	DRS	80S4	16	348
	143	50	9.88	2530	2.6	F	27	DRS	80S4	16	347
	150	48	9.40	2460	2.7	FF	27	DRS	80S4	17	348
	173	41	8.13	2380	3.0						
	204	35	6.91	2300	3.2						
	229	31	6.17	2240	3.5						
	268	27	5.27	2150	3.7						
	286	25	4.93	2120	3.8						
	339	21	4.16	2020	4.1						

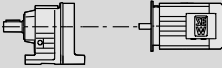



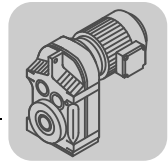
P_m [kW]	n_a [1/min]	M_a [Nm]	i	$F_{Ra}^{1)}$ [N]	SEW f_B					m [kg]	
0.75	344	21	8.13	2010	5.9						
	405	18	6.91	1930	6.4	FA	27	DRS	80S2	16	349
	454	16	6.17	1870	6.9	FAF	27	DRS	80S2	16	348
	532	14	5.27	1790	7.4	F	27	DRS	80S2	16	347
	568	13	4.93	1750	7.6	FF	27	DRS	80S2	17	348
	674	11	4.16	1670	8.2						
1.1						FA	157R97	DRS	80M4	770	401
	0.51	18000	2780	100000	1.00	FAF	157R97	DRS	80M4	830	401
						F	157R97	DRS	80M4	790	401
						FF	157R97	DRS	80M4	900	401
	0.58	15900	2427	105800	1.15						
	0.65	14200	2185	109800	1.25						
	0.73	12600	1944	112900	1.40						
	0.84	11100	1674	115500	1.60	FA	157R97	DRS	80M4	770	401
	1.1	8680	1308	119000	2.1	FAF	157R97	DRS	80M4	830	401
	1.2	7690	1169	120000	2.3	F	157R97	DRS	80M4	790	401
	1.5	6150	953	120000	2.9	FF	157R97	DRS	80M4	900	401
	1.7	5380	845	120000	3.4						
	3.2	2840	446	120000	6.3						
	4.7	1920	302	120000	9.4						
	0.69	13800	2038	86800	0.85						
	0.79	12000	1784	90000	1.00	FA	127R77	DRS	80M4	435	401
	0.88	10800	1606	90000	1.10	FAF	127R77	DRS	80M4	470	401
	1.0	9400	1390	90000	1.30	F	127R77	DRS	80M4	470	401
	1.2	8210	1220	90000	1.45	FF	127R77	DRS	80M4	510	401
	1.3	7300	1077	90000	1.65						
	1.1	8410	1243	47800	0.90						
	1.3	7430	1087	50400	1.05	FA	107R77	DRS	80M4	280	401
	1.5	6420	950	53000	1.20	FAF	107R77	DRS	80M4	305	401
	1.7	5610	834	54900	1.35	F	107R77	DRS	80M4	300	401
	1.9	4930	736	56500	1.55	FF	107R77	DRS	80M4	325	401
	2.2	4340	640	57700	1.75						
	2.0	4710	690	26300	0.90						
	2.3	4140	605	30400	1.05	FA	97R57	DRS	80M4	190	401
	2.7	3610	529	31800	1.20	FAF	97R57	DRS	80M4	215	401
	3.0	3190	467	32900	1.35	F	97R57	DRS	80M4	200	401
	3.5	2750	406	33900	1.55	FF	97R57	DRS	80M4	230	401
	3.9	2460	363	34500	1.75						
	3.1	3100	452	15300	0.95	FA	87R57	DRS	80M4	125	401
	4.1	2340	345	25300	1.30	FAF	87R57	DRS	80M4	140	401
	4.7	2030	300	26300	1.45	F	87R57	DRS	80M4	130	401
	5.7	1680	249	27300	1.80	FF	87R57	DRS	80M4	145	401
	3.4	3120	276.77	33000	1.40	FA	97	DRS	90L6	175	383
	3.7	2860	253.41	33600	1.50	FAF	97	DRS	90L6	195	382
	4.2	2520	223.88	34400	1.70	F	97	DRS	90L6	180	381
	4.9	2140	189.92	35100	2.0	FF	97	DRS	90L6	215	382
	5.3	1970	174.87	35400	2.2						
	5.1	2060	276.77	35300	2.1	FA	97	DRS	80M4	170	383
	5.6	1880	253.41	35600	2.3	FAF	97	DRS	80M4	190	382
	6.3	1660	223.88	36000	2.6	F	97	DRS	80M4	175	381
						FF	97	DRS	80M4	210	382
	4.1	2580	228.93	24500	1.15	FA	87	DRS	90L6	110	378
	4.7	2220	197.20	25700	1.35	FAF	87	DRS	90L6	125	377
	5.2	2030	179.97	26300	1.50	F	87	DRS	90L6	115	376
	5.8	1800	159.61	27000	1.65	FF	87	DRS	90L6	130	377
	5.2	2010	270.68	26400	1.50	FA	87	DRS	80M4	105	378
	5.5	1900	255.37	26700	1.60	FAF	87	DRS	80M4	115	377
	6.2	1700	228.93	27300	1.75	F	87	DRS	80M4	110	376
	7.2	1460	197.20	27900	2.0	FF	87	DRS	80M4	125	377
	7.8	1340	179.97	28200	2.2	FA	87	DRS	80M4	105	378
	8.8	1180	159.61	28600	2.5	FAF	87	DRS	80M4	115	377
	11	990	134.16	29000	3.0	F	87	DRS	80M4	110	376
	11	910	123.29	29100	3.3	FF	87	DRS	80M4	125	377
	7.1	1470	198.31	15900	1.00	FA	77	DRS	80M4	65	373
	7.5	1400	188.40	16300	1.05	FAF	77	DRS	80M4	71	372
	8.5	1240	166.47	17200	1.20	F	77	DRS	80M4	69	371
	9.9	1050	142.27	18100	1.40	FF	77	DRS	80M4	79	372

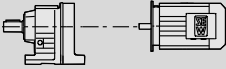



P _m [kW]	n _a [1/min]	M _a [Nm]	i	F _{Ra} ¹⁾ [N]	SEW f _B					m [kg]		
						FA	FAF	DRS	80M4			
1.1	11	970	130.42	18400	1.55							
	12	850	114.45	18800	1.75	FA	77	DRS	80M4	65	373	
	13	800	108.46*	19000	1.85	FAF	77	DRS	80M4	71	372	
	15	705	94.93	19200	2.1	F	77	DRS	80M4	69	371	
	16	635	85.52	19400	2.4	FF	77	DRS	80M4	79	372	
	19	555	75.02	19600	2.7							
		12	890	120.79	9530	0.90	FA	67	DRS	80M4	41	368
							FAF	67	DRS	80M4	47	367
							F	67	DRS	80M4	44	366
							FF	67	DRS	80M4	50	367
		13	810	109.04	10400	1.00						
		15	710	95.94	11200	1.15						
		16	670	90.59	11400	1.20						
		18	590	79.76	11900	1.40						
		21	500	67.65	12400	1.65	FA	67	DRS	80M4	41	368
		23	455	61.07	12600	1.80	FAF	67	DRS	80M4	47	367
		26	400	53.73	12800	2.0	F	67	DRS	80M4	44	366
		28	375	50.74	12900	2.2	FF	67	DRS	80M4	50	367
		33	320	43.20	13000	2.6						
		36	290	39.26	13000	2.7						
		41	250	34.01	13000	2.9						
		17	620	83.46	8780	0.95						
		19	540	72.98	9620	1.10						
		21	505	68.22	9870	1.20	FA	57	DRS	80M4	37	363
		24	435	58.97	10300	1.35	FAF	57	DRS	80M4	42	362
		28	370	50.10	10700	1.60	F	57	DRS	80M4	37	361
		32	330	44.73	10700	1.80	FF	57	DRS	80M4	43	362
		37	280	38.21	10400	2.1						
		39	265	35.79	10200	2.2						
		47	220	30.15	9790	2.6						
		25	420	56.49	4180	0.95	FA	47	DRS	80M4	30	358
							FAF	47	DRS	80M4	32	357
		29	355	48.00*	6470	1.10	F	47	DRS	80M4	30	356
						FF	47	DRS	80M4	33	357	
	33	315	42.86	6880	1.25	FA	47	DRS	80M4	30	358	
	39	270	36.61	7290	1.45	FAF	47	DRS	80M4	32	357	
	41	255	34.29	7260	1.55	F	47	DRS	80M4	30	356	
	49	215	28.88	7030	1.85	FF	47	DRS	80M4	33	357	
	46	225	30.86	7120	1.75	FA	47	DRS	80M4	29	358	
	48	215	29.32	7050	1.85	FAF	47	DRS	80M4	32	357	
	55	192	25.72	6870	2.1	F	47	DRS	80M4	30	356	
	65	162	21.82	6630	2.5	FF	47	DRS	80M4	33	357	
	72	147	19.70	6480	2.7							
	44	235	31.69	3690	0.85	FA	37	DRS	80M4	25	353	
	50	205	28.09	3970	0.95	FAF	37	DRS	80M4	26	352	
	59	178	23.88	3930	1.10	F	37	DRS	80M4	25	351	
						FF	37	DRS	80M4	27	352	
	69	153	20.57	3870	1.30							
	73	144	19.27	3840	1.40							
	83	127	17.03	3780	1.60	FA	37	DRS	80M4	25	353	
	98	107	14.33	3670	1.85	FAF	37	DRS	80M4	26	352	
	110	96	12.87	3600	2.1	F	37	DRS	80M4	25	351	
	127	83	11.08	3500	2.3	FF	37	DRS	80M4	27	352	
	135	78	10.42	3450	2.4							
	157	67	8.97	3340	2.6							
	70	150	20.15	2440	0.85							
	75	140	18.84	2440	0.95							
	87	121	16.28	2440	1.05							
	102	103	13.84	2420	1.25							
	114	92	12.35	2390	1.40							
	134	79	10.55	2340	1.65	FA	27	DRS	80M4	18	349	
	143	74	9.88	2320	1.75	FAF	27	DRS	80M4	19	348	
	150	70	9.40	2240	1.85	F	27	DRS	80M4	19	347	
	173	61	8.13	2190	2.0	FF	27	DRS	80M4	20	348	
	204	52	6.91	2140	2.2							
	229	46	6.17	2090	2.4							
	268	39	5.27	2030	2.6							
	286	37	4.93	2000	2.6							
	339	31	4.16	1920	2.8							



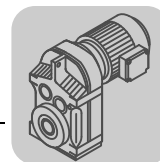
P _m [kW]	n _a [1/min]	M _a [Nm]	i	F _{Ra} ¹⁾ [N]	SEW f _B					m [kg]	
						FA	FAF	F	FF		
1.1	349	30	8.13	1910	4.1						
	411	26	6.91	1840	4.5	FA	27	DRS	80M2	18	349
	461	23	6.17	1790	4.8	FAF	27	DRS	80M2	19	348
	539	20	5.27	1720	5.1	F	27	DRS	80M2	19	347
	576	18	4.93	1690	5.3	FF	27	DRS	80M2	20	348
1.5	683	15	4.16	1620	5.6						
	0.58	22300	2427	79500	0.80						
	0.64	19900	2185	93900	0.90						
	0.72	17700	1944	100900	1.00						
	0.84	15500	1674	106800	1.15	FA	157R97	DRS	90M4	770	401
	1.1	12100	1308	113900	1.50	FAF	157R97	DRS	90M4	830	401
	1.2	10700	1169	116200	1.65	F	157R97	DRS	90M4	790	401
	1.5	8650	953	119000	2.1	FF	157R97	DRS	90M4	900	401
	1.7	7590	845	120000	2.4						
	3.1	4010	446	120000	4.5						
	4.6	2710	302	120000	6.6						
	0.87	15000	1606	84400	0.80						
	1.0	13000	1390	88400	0.90						
	1.2	11400	1220	90000	1.05	FA	127R77	DRS	90M4	435	401
	1.3	10100	1077	90000	1.20	FAF	127R77	DRS	90M4	475	401
	1.5	8690	930	90000	1.40	F	127R77	DRS	90M4	475	401
	1.7	7650	820	90000	1.55	FF	127R77	DRS	90M4	520	401
	1.9	6760	727	90000	1.75						
	2.2	6090	648	90000	1.95						
	1.5	8910	950	46400	0.85						
	1.7	7790	834	49500	1.00						
	1.9	6860	736	51900	1.10	FA	107R77	DRS	90M4	285	401
	2.2	6020	640	54000	1.30	FAF	107R77	DRS	90M4	305	401
	2.5	5210	560	55800	1.45	F	107R77	DRS	90M4	305	401
	2.9	4540	489	57300	1.70	FF	107R77	DRS	90M4	330	401
3.2	4090	436	58200	1.85							
3.8	3470	370	59500	2.2							
2.6	4990	529	13100	0.85	FA	97R57	DRS	90M4	195	401	
3.0	4410	467	29600	0.95	FAF	97R57	DRS	90M4	220	401	
3.5	3810	406	31300	1.15	F	97R57	DRS	90M4	205	401	
3.8	3420	363	32300	1.25	FF	97R57	DRS	90M4	235	401	
					FA	87R57	DRS	90M4	130	401	
					FAF	87R57	DRS	90M4	145	401	
					F	87R57	DRS	90M4	135	401	
					FF	87R57	DRS	90M4	150	401	
4.7	2820	300	23600	1.05							
5.6	2340	249	25400	1.30							
3.6	3930	254.40*	58600	1.95	FA	107	DRS	100M6	255	388	
4.3	3330	215.37	59700	2.3	FAF	107	DRS	100M6	275	387	
4.6	3080	199.31	60200	2.5	F	107	DRS	100M6	270	386	
5.2	2760	178.64	60800	2.8	FF	107	DRS	100M6	300	387	
3.3	4280	276.77	29900	1.00	FA	97	DRS	100M6	180	383	
3.6	3920	253.41	31000	1.10	FAF	97	DRS	100M6	200	382	
4.1	3460	223.88	32200	1.25	F	97	DRS	100M6	185	381	
4.9	2940	189.92	33400	1.45	FF	97	DRS	100M6	220	382	
5.3	2700	174.87	34000	1.60							
5.1	2830	276.77	33700	1.50	FA	97	DRS	90M4	170	383	
5.5	2590	253.41	34200	1.65	FAF	97	DRS	90M4	195	382	
6.2	2290	223.88	34800	1.90	F	97	DRS	90M4	180	381	
7.4	1940	189.92	35500	2.2	FF	97	DRS	90M4	210	382	
8.0	1780	174.87	35800	2.4							
5.2	2760	270.68	23800	1.10	FA	87	DRS	90M4	110	378	
5.5	2610	255.37	24400	1.15	FAF	87	DRS	90M4	120	377	
6.1	2340	228.93	25400	1.30	F	87	DRS	90M4	115	376	
7.1	2010	197.20	26400	1.50	FF	87	DRS	90M4	130	377	
7.8	1840	179.97	26900	1.65							
8.8	1630	159.61	27500	1.85	FA	87	DRS	90M4	110	378	
10	1370	134.16	28100	2.2	FAF	87	DRS	90M4	120	377	
13	1120	109.49	28700	2.7	F	87	DRS	90M4	115	376	
14	1000	97.89	29000	3.0	FF	87	DRS	90M4	130	377	
8.4	1700	166.47	14200	0.90	FA	77	DRS	90M4	69	373	
9.8	1450	142.27	16000	1.05	FAF	77	DRS	90M4	75	372	
11	1330	130.42	16700	1.10	F	77	DRS	90M4	72	371	
12	1170	114.45	17600	1.30	FF	77	DRS	90M4	83	372	

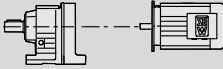



P _m [kW]	n _a [1/min]	M _a [Nm]	i	F _{Ra} ¹⁾ [N]	SEW f _B					m [kg]			
						FA	FAF	F	FF			DRS	90M4
1.5	13	1100	108.46*	17900	1.35								
	15	970	94.93	18400	1.55								
	16	870	85.52	18800	1.70								
	19	765	75.02	19100	1.95								
	19	740	72.50	19200	2.0	FA	77		DRS	90M4	69	373	
	21	680	66.46	19300	2.2	FAF	77		DRS	90M4	75	372	
	24	595	58.32	19500	2.5	F	77		DRS	90M4	72	371	
	25	565	55.27	19600	2.6	FF	77		DRS	90M4	83	372	
	29	490	48.37	19700	3.0								
	32	445	43.58	19800	3.4								
	37	390	38.23	19900	3.8								
		38	370	36.58	19900	3.0	FA	77		DRS	90M4	67	373
		44	320	31.51	20000	4.3	FAF	77		DRS	90M4	74	372
							F	77		DRS	90M4	71	371
							FF	77		DRS	90M4	82	372
		15	920	90.59	9230	0.90							
		18	810	79.76	10300	1.00							
		21	690	67.65	11300	1.20	FA	67		DRS	90M4	46	368
		23	620	61.07	11800	1.30	FAF	67		DRS	90M4	52	367
		26	545	53.73	12200	1.50	F	67		DRS	90M4	48	366
		28	515	50.74	12300	1.60	FF	67		DRS	90M4	55	367
		32	440	43.20	12700	1.85							
		36	400	39.26	12800	1.95							
		39	370	36.30	12900	2.2	FA	67		DRS	90M4	44	368
		44	325	32.08	13000	2.5	FAF	67		DRS	90M4	51	367
		51	280	27.41	13000	2.9	F	67		DRS	90M4	47	366
		56	255	25.13	13000	3.2	FF	67		DRS	90M4	53	367
		24	600	58.97	9180	1.00							
		28	510	50.10	9840	1.15	FA	57		DRS	90M4	42	363
		31	455	44.73	10000	1.30	FAF	57		DRS	90M4	47	362
		37	390	38.21	9750	1.55	F	57		DRS	90M4	42	361
		39	365	35.79	9640	1.65	FF	57		DRS	90M4	48	362
		46	305	30.15	9320	1.90							
		38	370	36.61	6260	1.05	FA	47		DRS	90M4	34	358
		41	350	34.29	6550	1.15	FAF	47		DRS	90M4	37	357
		48	295	28.88	6500	1.35	F	47		DRS	90M4	35	356
							FF	47		DRS	90M4	38	357
	45	315	30.86	6550	1.25								
	48	300	29.32	6510	1.35								
	54	260	25.72	6400	1.50	FA	47		DRS	90M4	33	358	
	64	220	21.82	6230	1.80	FAF	47		DRS	90M4	36	357	
	71	200	19.70	6120	2.00	F	47		DRS	90M4	34	356	
	81	177	17.33	5970	2.3	FF	47		DRS	90M4	37	357	
	86	167	16.36	5910	2.4								
	100	143	13.93	5710	2.8								
	68	210	20.57	3410	0.95								
	73	197	19.27	3410	1.00								
	82	174	17.03	3400	1.15	FA	37		DRS	90M4	29	353	
	98	147	14.33	3350	1.35	FAF	37		DRS	90M4	30	352	
	109	132	12.87	3320	1.50	F	37		DRS	90M4	29	351	
	126	113	11.08	3250	1.70	FF	37		DRS	90M4	31	352	
	134	107	10.42	3220	1.75								
	156	92	8.97	3150	1.90								
	175	82	8.01	3080	2.1								
	101	142	13.84	2080	0.90								
	113	126	12.35	2090	1.05								
	133	108	10.55	2090	1.20								
	142	101	9.88	2090	1.30								
	149	96	9.40	1990	1.35	FA	27		DRS	90M4	23	349	
	172	83	8.13	1980	1.50	FAF	27		DRS	90M4	23	348	
	203	71	6.91	1950	1.60	F	27		DRS	90M4	23	347	
	227	63	6.17	1930	1.75	FF	27		DRS	90M4	24	348	
	266	54	5.27	1890	1.85								
	284	50	4.93	1870	1.90								
	337	42	4.16	1820	2.0								



P_m [kW]	n_a [1/min]	M_a [Nm]	i	$F_{Ra}^{1)}$ [N]	SEW f_B					m [kg]	
1.5	348	41	8.13	1810	3.0						
	410	35	6.91	1750	3.3	FA	27	DRS	90M2	23	349
	459	31	6.17	1710	3.5	FAF	27	DRS	90M2	23	348
	537	27	5.27	1650	3.8	F	27	DRS	90M2	23	347
	574	25	4.93	1630	3.8	FF	27	DRS	90M2	24	348
681	21	4.16	1560	4.1							
2.2	0.97	18800	1441	97500	0.95	FA	157R97	DRS	90L4	780	401
						FAF	157R97	DRS	90L4	840	401
						F	157R97	DRS	90L4	800	401
						FF	157R97	DRS	90L4	910	401
	1.1	17900	1308	100300	1.00						
	1.2	16000	1169	105700	1.10						
	1.5	12900	953	112400	1.40						
	1.7	11300	845	115100	1.60						
	1.8	10200	764	116900	1.75	FA	157R97	DRS	90L4	780	401
	2.1	9110	680	118400	2.00	FAF	157R97	DRS	90L4	830	401
2.4	7640	576	120000	2.4	F	157R97	DRS	90L4	800	401	
3.1	6020	446	120000	3.0	FF	157R97	DRS	90L4	900	401	
4.6	4070	302	120000	4.4							
5.1	3660	273	120000	4.9							
6.0	3070	232	120000	5.9							
7.1	2600	197	120000	6.9							
1.3	14900	1077	84600	0.80							
1.5	12800	930	88800	0.95							
1.7	11300	820	90000	1.05	FA	127R77	DRS	90L4	440	401	
1.9	10000	727	90000	1.20	FAF	127R77	DRS	90L4	475	401	
2.2	9000	648	90000	1.35	F	127R77	DRS	90L4	475	401	
2.6	7630	549	90000	1.55	FF	127R77	DRS	90L4	520	401	
2.8	6860	495	90000	1.75							
3.3	5940	428	90000	2.0							
2.2	8890	640	46400	0.85							
2.5	7730	560	49700	1.00	FA	107R77	DRS	90L4	290	401	
2.9	6740	489	52200	1.15	FAF	107R77	DRS	90L4	310	401	
3.2	6050	436	53900	1.25	F	107R77	DRS	90L4	305	401	
3.8	5130	370	56000	1.50	FF	107R77	DRS	90L4	330	401	
4.2	4620	333	57100	1.65							
4.9	3970	285	30800	1.10	FA	97R57	DRS	90L4	200	401	
5.7	3410	245	32300	1.25	FAF	97R57	DRS	90L4	220	401	
					F	97R57	DRS	90L4	205	401	
					FF	97R57	DRS	90L4	240	401	
3.8	5590	254.40*	55000	1.35	FA	107	DRS	112M6	270	388	
4.4	4730	215.37	56900	1.60	FAF	107	DRS	112M6	290	387	
4.8	4380	199.31	57600	1.75	F	107	DRS	112M6	285	386	
5.4	3920	178.64	58600	1.95	FF	107	DRS	112M6	310	387	
5.5	3810	254.40*	58800	2.0	FA	107	DRS	90L4	250	388	
6.5	3230	215.37	59900	2.4	FAF	107	DRS	90L4	270	387	
7.0	2990	199.31	60400	2.6	F	107	DRS	90L4	265	386	
7.8	2680	178.64	61000	2.9	FF	107	DRS	90L4	295	387	
4.3	4920	223.88	17400	0.85	FA	97	DRS	112M6	195	383	
5.0	4170	189.92	30300	1.05	FAF	97	DRS	112M6	215	382	
5.5	3840	174.87	31200	1.10	F	97	DRS	112M6	200	381	
6.1	3430	156.30	32300	1.25	FF	97	DRS	112M6	235	382	
5.1	4150	276.77	30300	1.05							
5.5	3800	253.41	31300	1.15							
6.2	3350	223.88	32500	1.30	FA	97	DRS	90L4	175	383	
7.4	2840	189.92	33700	1.50	FAF	97	DRS	90L4	195	382	
8.0	2620	174.87	34100	1.65	F	97	DRS	90L4	180	381	
9.0	2340	156.30	34700	1.85	FF	97	DRS	90L4	215	382	
10.0	2110	140.71	35200	2.0							
11	1910	127.42	35600	2.2							
7.1	2950	197.20	21300	1.00	FA	87	DRS	90L4	110	378	
7.8	2700	179.97	24100	1.10	FAF	87	DRS	90L4	125	377	
8.8	2390	159.61	25200	1.25	F	87	DRS	90L4	115	376	
10	2010	134.16	26400	1.50	FF	87	DRS	90L4	130	377	



P _m [kW]	n _a [1/min]	M _a [Nm]	i	F _{Ra} ¹⁾ [N]	SEW f _B					m [kg]		
						FA	FAF	F	FF			DRS
2.2	11	1850	123.29	26900	1.60							
	13	1640	109.49	27400	1.85							
	14	1460	97.89	27900	2.0							
	16	1320	88.01	28300	2.3	FA	87		DRS	90L4	110	378
	18	1140	76.39	27900	2.6	FAF	87		DRS	90L4	125	377
	20	1020	68.40	27200	2.9	F	87		DRS	90L4	115	376
	25	850	56.75	26000	3.5	FF	87		DRS	90L4	130	377
	28	755	50.36	25200	3.9							
	31	675	45.28	24500	4.2							
	12	1710	114.45	14100	0.85	FA	77		DRS	90L4	71	373
	13	1620	108.46*	14800	0.90	FAF	77		DRS	90L4	78	372
	15	1420	94.93	16200	1.05	F	77		DRS	90L4	75	371
	16	1280	85.52	17000	1.15	FF	77		DRS	90L4	85	372
	19	1120	75.02	17800	1.35							
	21	990	66.46	18300	1.50	FA	77		DRS	90L4	71	373
	24	870	58.32	18800	1.70	FAF	77		DRS	90L4	78	372
	25	820	55.27	18900	1.80	F	77		DRS	90L4	75	371
	29	725	48.37	19200	2.1	FF	77		DRS	90L4	85	372
	32	650	43.58	19400	2.3							
	38	545	36.58	19600	2.0	FA	77		DRS	90L4	70	373
	44	470	31.51	19700	2.9	FAF	77		DRS	90L4	76	372
	49	430	28.75	19800	3.3	F	77		DRS	90L4	73	371
	55	380	25.50*	19900	3.9	FF	77		DRS	90L4	84	372
	23	910	61.07	9350	0.90							
	26	800	53.73	10400	1.00	FA	67		DRS	90L4	48	368
	28	760	50.74	10800	1.10	FAF	67		DRS	90L4	54	367
	32	645	43.20	11600	1.25	F	67		DRS	90L4	51	366
	36	585	39.26	12000	1.30	FF	67		DRS	90L4	57	367
	41	510	34.01	12400	1.45							
	44	480	32.08	12500	1.70							
	51	410	27.41	12800	2.00	FA	67		DRS	90L4	47	368
56	375	25.13	12900	2.2	FAF	67		DRS	90L4	53	367	
63	330	22.05	13000	2.5	F	67		DRS	90L4	50	366	
67	310	20.90*	13000	2.6	FF	67		DRS	90L4	56	367	
77	270	18.29	13000	3.0								
31	670	44.73	3720	0.90	FA	57		DRS	90L4	44	363	
37	570	38.21	8670	1.05	FAF	57		DRS	90L4	50	362	
39	535	35.79	8620	1.10	F	57		DRS	90L4	44	361	
46	450	30.15	8470	1.30	FF	57		DRS	90L4	51	362	
56	370	24.96	8250	1.55								
66	315	21.17	8030	1.90	FA	57		DRS	90L4	44	363	
73	285	19.11	7880	2.1	FAF	57		DRS	90L4	49	362	
83	250	16.81	7680	2.4	F	57		DRS	90L4	44	361	
88	235	15.88	7590	2.5	FF	57		DRS	90L4	50	362	
54	385	25.72	5560	1.05								
64	325	21.82	5520	1.20								
71	295	19.70	5480	1.35								
81	260	17.33	5410	1.55	FA	47		DRS	90L4	36	358	
86	245	16.36	5370	1.65	FAF	47		DRS	90L4	38	357	
100	205	13.93	5250	1.90	F	47		DRS	90L4	36	356	
111	190	12.66	5170	2.1	FF	47		DRS	90L4	40	357	
128	165	10.97	5040	2.4								
156	134	8.96	4740	2.5								
98	215	14.33	2790	0.95								
109	193	12.87	2810	1.05								
126	166	11.08	2820	1.15								
134	156	10.42	2810	1.20								
156	135	8.97	2790	1.30	FA	37		DRS	90L4	31	353	
175	120	8.01	2770	1.40	FAF	37		DRS	90L4	33	352	
208	101	6.74	2630	1.40	F	37		DRS	90L4	32	351	
231	91	6.05	2600	1.50	FF	37		DRS	90L4	34	352	
269	78	5.21	2540	1.60								
286	74	4.90	2520	1.65								
332	63	4.22	2460	1.75								
372	56	3.77	2410	1.85								

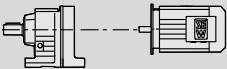



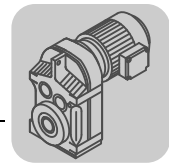
P _m [kW]	n _a [1/min]	M _a [Nm]	i	F _{Ra} ¹⁾ [N]	SEW f _B					m [kg]	
						FA	F	DRS	90L2		
2.2	173	121	16.28	1710	1.05						
	204	103	13.84	1730	1.25						
	228	92	12.35	1730	1.40						
	267	79	10.55	1720	1.65	FA	27	DRS	90L2	25	349
	285	74	9.88	1710	1.75	FAF	27	DRS	90L2	26	348
	347	61	8.13	1620	2.0	F	27	DRS	90L2	26	347
	408	52	6.91	1590	2.2	FF	27	DRS	90L2	26	348
	457	46	6.17	1570	2.4						
	535	39	5.27	1530	2.6						
	572	37	4.93	1510	2.6						
	679	31	4.16	1460	2.8						
3.0	1.2	22000	1169	86000	0.80						
	1.5	17800	953	100800	1.00						
	1.7	15700	845	106400	1.15						
	1.8	14100	764	110000	1.25	FA	157R97	DRS	100M4	780	401
	2.1	12600	680	113000	1.45	FAF	157R97	DRS	100M4	840	401
	2.4	10600	576	116400	1.70	F	157R97	DRS	100M4	800	401
	3.1	8310	446	119400	2.2	FF	157R97	DRS	100M4	910	401
	4.6	5620	302	120000	3.2						
	5.1	5060	273	120000	3.6						
	6.0	4260	232	120000	4.2						
	7.1	3610	197	120000	5.0						
	1.9	13700	727	87000	0.85	FA	127R77	DRS	100M4	445	401
	2.2	12300	648	89800	0.95	FAF	127R77	DRS	100M4	480	401
	2.6	10400	549	90000	1.15	F	127R77	DRS	100M4	480	401
	2.8	9400	495	90000	1.30	FF	127R77	DRS	100M4	530	401
	3.2	8290	436	48100	0.95	FA	107R77	DRS	100M4	295	401
	3.8	7030	370	51500	1.10	FAF	107R77	DRS	100M4	315	401
	4.2	6330	333	53200	1.20	F	107R77	DRS	100M4	310	401
	4.8	5530	291	55100	1.40	FF	107R77	DRS	100M4	335	401
	3.7	7710	254.40*	49700	1.00	FA	107	DRS	112M6	270	388
	4.4	6520	215.37	52800	1.20	FAF	107	DRS	112M6	290	387
	4.7	6040	199.31	53900	1.25	F	107	DRS	112M6	285	386
	5.3	5410	178.64	55400	1.40	FF	107	DRS	112M6	310	387
	5.5	5200	254.40*	55900	1.50	FA	107	DRS	100M4	255	388
	6.5	4400	215.37	57600	1.75	FAF	107	DRS	100M4	275	387
	7.0	4070	199.31	58300	1.90	F	107	DRS	100M4	270	386
	7.8	3650	178.64	59100	2.1	FF	107	DRS	100M4	300	387
	8.7	3300	161.28*	59800	2.3						
	6.2	4580	223.88	29000	0.95	FA	97	DRS	100M4	180	383
	7.4	3880	189.92	31100	1.10	FAF	97	DRS	100M4	200	382
	8.0	3570	174.87	31900	1.20	F	97	DRS	100M4	185	381
	8.0	3570	174.87	31900	1.20	FF	97	DRS	100M4	220	382
	9.0	3190	156.30	32800	1.35						
	10.0	2870	140.71	33600	1.50	FA	97	DRS	100M4	180	383
	11	2600	127.42	34200	1.65	FAF	97	DRS	100M4	200	382
	12	2310	112.99	34800	1.85	F	97	DRS	100M4	185	381
	14	2090	102.16	35200	2.1	FF	97	DRS	100M4	220	382
	16	1830	89.85	35700	2.3						
	10	2740	134.16	23900	1.10	FA	87	DRS	100M4	115	378
	11	2520	123.29	24700	1.20	FAF	87	DRS	100M4	130	377
	13	2240	109.49	25700	1.35	F	87	DRS	100M4	120	376
	13	2240	109.49	25700	1.35	FF	87	DRS	100M4	135	377
	14	2000	97.89	26400	1.50						
	16	1800	88.01	26900	1.65	FA	87	DRS	100M4	115	378
	18	1560	76.39	26300	1.90	FAF	87	DRS	100M4	130	377
	20	1390	68.40	25700	2.1	F	87	DRS	100M4	120	376
	25	1160	56.75	24800	2.6	FF	87	DRS	100M4	135	377
	28	1030	50.36	24100	2.8						
	16	1750	85.52	13800	0.85	FA	77	DRS	100M4	76	373
19	1530	75.02	15500	1.00	FAF	77	DRS	100M4	82	372	
21	1360	66.46	16600	1.10	F	77	DRS	100M4	80	371	
21	1360	66.46	16600	1.10	FF	77	DRS	100M4	90	372	
24	1190	58.32	17500	1.25							
25	1130	55.27	17800	1.35	FA	77	DRS	100M4	76	373	
29	980	48.37	18300	1.50	FAF	77	DRS	100M4	82	372	
32	890	43.58	18700	1.70	F	77	DRS	100M4	80	371	
37	780	38.23	19000	1.90	FF	77	DRS	100M4	90	372	



P_m [kW]	n_a [1/min]	M_a [Nm]	i	$F_{Ra}^{1)}$ [N]	SEW f_B		m [kg]			
3.0	38	745	36.58	19100	1.50					
	44	640	31.51	19400	2.1	FA 77	DRS	100M4	75	373
	49	585	28.75	19500	2.4	FAF 77	DRS	100M4	81	372
	55	520	25.50*	19700	2.9	F 77	DRS	100M4	78	371
	65	435	21.43	19800	3.4	FF 77	DRS	100M4	89	372
	32	880	43.20	9690	0.95	FA 67	DRS	100M4	53	368
	36	800	39.26	10500	0.95	FAF 67	DRS	100M4	59	367
	41	695	34.01	11300	1.05	F 67	DRS	100M4	56	366
						FF 67	DRS	100M4	62	367
	44	655	32.08	11600	1.25					
	51	560	27.41	12100	1.45					
	56	510	25.13	12300	1.60	FA 67	DRS	100M4	52	368
	63	450	22.05	12600	1.80	FAF 67	DRS	100M4	58	367
	67	425	20.90*	12700	1.90	F 67	DRS	100M4	55	366
	77	370	18.29	12900	2.2	FF 67	DRS	100M4	61	367
	85	335	16.48	13000	2.4					
	97	295	14.46	13000	2.8					
	56	510	24.96	7440	1.15					
	66	430	21.17	7340	1.40					
	73	390	19.11	7260	1.55	FA 57	DRS	100M4	48	363
	83	340	16.81	7140	1.75	FAF 57	DRS	100M4	54	362
	88	320	15.88	7080	1.85	F 57	DRS	100M4	49	361
	104	275	13.52	6890	2.2	FF 57	DRS	100M4	55	362
	114	250	12.29	6780	2.4					
	132	215	10.64	6590	2.8					
	71	400	19.70	4750	1.00					
	81	350	17.33	4760	1.15	FA 47	DRS	100M4	41	358
	86	330	16.36	4760	1.20	FAF 47	DRS	100M4	43	357
	100	285	13.93	4740	1.40	F 47	DRS	100M4	42	356
111	255	12.66	4700	1.55	FF 47	DRS	100M4	45	357	
128	220	10.97	4640	1.80						
156	183	8.96	4370	1.80						
126	225	11.08	2320	0.85						
134	210	10.42	2350	0.85						
156	184	8.97	2390	0.95						
175	164	8.01	2410	1.05	FA 37	DRS	100M4	36	353	
208	138	6.74	2290	1.00	FAF 37	DRS	100M4	38	352	
231	124	6.05	2300	1.10	F 37	DRS	100M4	37	351	
269	107	5.21	2280	1.15	FF 37	DRS	100M4	39	352	
286	100	4.90	2280	1.20						
332	86	4.22	2250	1.25						
372	77	3.77	2220	1.35						
4.0	1.7	20400	845	92100	0.90					
	1.9	18400	764	98900	1.00					
	2.1	16400	680	104700	1.10	FA 157R97	DRS	100LC4	790	401
	2.5	13800	576	110600	1.30	FAF 157R97	DRS	100LC4	840	401
	3.2	10800	446	116100	1.65	F 157R97	DRS	100LC4	810	401
	4.8	7320	302	120000	2.5	FF 157R97	DRS	100LC4	910	401
	5.3	6590	273	120000	2.7					
	6.2	5560	232	120000	3.2					
	7.4	4710	197	120000	3.8					
	2.6	13500	549	87500	0.90	FA 127R77	DRS	100LC4	450	401
	2.9	12100	495	90000	1.00	FAF 127R77	DRS	100LC4	485	401
	3.4	10500	428	90000	1.15	F 127R77	DRS	100LC4	485	401
	3.8	9240	376	90000	1.30	FF 127R77	DRS	100LC4	530	401
	4.3	8200	333	48400	0.95	FA 107R77	DRS	100LC4	300	401
	5.0	7170	291	51100	1.05	FAF 107R77	DRS	100LC4	320	401
	5.7	6280	255	53300	1.20	F 107R77	DRS	100LC4	315	401
						FF 107R77	DRS	100LC4	340	401
	5.7	6720	254.40*	52300	1.15					
	6.7	5690	215.37	54700	1.35					
	7.2	5260	199.31	55700	1.45					
	8.1	4720	178.64	56900	1.65	FA 107	DRS	100LC4	260	388
	9.0	4260	161.28*	57900	1.80	FAF 107	DRS	100LC4	280	387
	9.9	3870	146.49	58700	2.00	F 107	DRS	100LC4	275	386
	11	3430	129.97	59600	2.2	FF 107	DRS	100LC4	305	387
	12	3110	117.94	60200	2.5					
	14	2670	101.38*	61000	2.9					

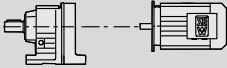



P_m [kW]	n_a [1/min]	M_a [Nm]	i	$F_{Ra}^{1)}$ [N]	SEW f_B					m [kg]		
4.0	8.3	4620	174.87	28900	0.95	FA	97	DRS	100LC4	185	383	
	9.2	4130	156.30	30400	1.05	FAF	97	DRS	100LC4	205	382	
	10	3710	140.71	31500	1.15	F	97	DRS	100LC4	190	381	
	11	3360	127.42	32400	1.30	FF	97	DRS	100LC4	225	382	
	13	2980	112.99	33300	1.45	FA FAF F FF	97	DRS	100LC4	185	383	
	14	2700	102.16	34000	1.60							
	15	2570	97.58	34200	1.65							
	16	2370	89.85	34700	1.80							
	18	2120	80.31	35200	2.0							
	20	1910	72.29	35600	2.2							
	22	1730	65.47	35900	2.5	FF	97	DRS	100LC4	225	382	
	13	2890	109.49	23300	1.05	FA	87	DRS	100LC4	120	378	
		15	2580	97.89	24500	1.15	FAF	87	DRS	100LC4	135	377
		16	2320	88.01	24500	1.30	F	87	DRS	100LC4	125	376
	19	2010	76.39	24200	1.50	FA	87	DRS	100LC4	120	378	
		21	1800	68.40	23800	1.65	FAF	87	DRS	100LC4	135	377
		25	1500	56.75	23200	2.0	F	87	DRS	100LC4	125	376
		29	1330	50.36	22700	2.2	FF	87	DRS	100LC4	140	377
		32	1190	45.28	22200	2.4	FF	87	DRS	100LC4	140	377
	22	1750	66.46	13700	0.85	FA	77	DRS	100LC4	81	373	
		25	1540	58.32	15400	0.95	FAF	77	DRS	100LC4	88	372
		26	1460	55.27	16000	1.05	F	77	DRS	100LC4	85	371
		30	1270	48.37	17000	1.15	FF	77	DRS	100LC4	95	372
	33	1150	43.58	17700	1.30	FA	77	DRS	100LC4	81	373	
		38	1010	38.23	18300	1.50	FAF	77	DRS	100LC4	88	372
		43	890	33.74	18700	1.70	F	77	DRS	100LC4	85	371
		48	790	29.91	19000	1.90	FF	77	DRS	100LC4	95	372
		57	675	25.54	19300	2.2	FF	77	DRS	100LC4	95	372
	46	830	31.51	18900	1.65	FA	77	DRS	100LC4	80	373	
		50	760	28.75	19100	1.90	FAF	77	DRS	100LC4	86	372
		57	670	25.50*	19300	2.2	F	77	DRS	100LC4	83	371
		67	565	21.43	19600	2.6	FF	77	DRS	100LC4	94	372
		73	520	19.70	19700	2.9	FF	77	DRS	100LC4	94	372
	53	720	27.41	11100	1.15	FA FAF F FF	67	DRS	100LC4	57	368	
		58	660	25.13	11500							1.25
		66	580	22.05	12000							1.40
69		550	20.90*	12200	1.50							
79		480	18.29	12500	1.70							
88		435	16.48	12700	1.90							
100		380	14.46	12900	2.2							
113		335	12.76	13000	2.4							
128		295	11.31	13000	2.7							
150		255	9.66	13000	3.2							
159		240	9.08	12900	2.2							
168		225	8.60	12800	2.5							
192		199	7.53	12400	3.1							
213		179	6.78	12100	3.5							
243		157	5.95	11700	3.9							
275		139	5.25	11300	4.2							
310		123	4.66	11000	4.6							
364	105	3.97	10500	4.8								
68	555	21.17	6490	1.05	FA FAF F FF	57	DRS	100LC4	54	363		
	76	505	19.11	6480							1.20	
	86	440	16.81	6450							1.35	
	91	415	15.88	6420							1.45	
	107	355	13.52	6330							1.70	
	118	320	12.29	6250							1.85	
	136	280	10.64	6130							2.1	
	155	245	9.31	5830							1.70	
	176	215	8.19	5720							1.95	
	187	200	7.73	5660							2.0	
	219	174	6.58	5500							2.4	
	241	158	5.98	5390							2.6	
	279	137	5.18	5230							3.0	



P _m [kW]	n _a [1/min]	M _a [Nm]	i	F _{Ra} ¹⁾ [N]	SEW f _B					m [kg]	
						FA	FAF	F	FF		
5.5	2.5	19200	576	96500	0.95						
	2.9	16700	503	103900	1.10						
	3.2	14900	446	108100	1.20	FA	157R97	DRS	132S4	800	401
	4.1	11600	353	114600	1.55	FAF	157R97	DRS	132S4	860	401
	4.8	10100	302	117100	1.75	F	157R97	DRS	132S4	820	401
	5.3	9140	273	118400	1.95						
	6.2	7720	232	120000	2.3	FF	157R97	DRS	132S4	930	401
	7.1	6710	202	120000	2.7						
	7.4	6540	197	120000	2.8						
	3.5	14000	418	86400	0.85						
	3.9	12500	374	89300	0.95	FA	127R87	DRS	132S4	485	401
	4.6	10500	312	90000	1.15	FAF	127R87	DRS	132S4	520	401
	4.9	9840	293	90000	1.20	F	127R87	DRS	132S4	520	401
	5.6	8680	259	90000	1.40	FF	127R87	DRS	132S4	570	401
	6.5	7500	223	90000	1.60						
	3.4	14500	428	85500	0.85	FA	127R77	DRS	132S4	465	401
	3.8	12700	376	89000	0.95	FAF	127R77	DRS	132S4	500	401
						F	127R77	DRS	132S4	500	401
						FF	127R77	DRS	132S4	550	401
	6.7	7820	215.37	49400	1.00	FA	107	DRS	132S4	275	388
	7.2	7240	199.31	51000	1.05	FAF	107	DRS	132S4	295	387
	8.1	6490	178.64	52800	1.20	F	107	DRS	132S4	290	386
	9.0	5860	161.28*	54400	1.30	FF	107	DRS	132S4	320	387
	9.9	5320	146.49	55600	1.45						
	11	4720	129.97	56900	1.65	FA	107	DRS	132S4	275	388
	12	4280	117.94	57800	1.80	FAF	107	DRS	132S4	295	387
	14	3680	101.38*	59100	2.1	F	107	DRS	132S4	290	386
	16	3360	92.47*	59700	2.3	FF	107	DRS	132S4	320	387
	16	3210	88.49	60000	2.4						
	17	3050	83.99	60300	2.5						
	11	4630	127.42	28900	0.95	FA	97	DRS	132S4	200	383
	13	4100	112.99	30500	1.05	FAF	97	DRS	132S4	220	382
	14	3710	102.16	31500	1.15	F	97	DRS	132S4	205	381
						FF	97	DRS	132S4	240	382
	15	3540	97.58	32000	1.20						
	16	3260	89.85	32700	1.30						
	17	3140	86.59	33000	1.35	FA	97	DRS	132S4	200	383
	18	2910	80.31	33500	1.45	FAF	97	DRS	132S4	220	382
	19	2740	75.63	33900	1.55	F	97	DRS	132S4	205	381
	20	2620	72.29	34100	1.65	FF	97	DRS	132S4	240	382
	22	2370	65.47	34700	1.80						
	25	2110	58.06	34500	2.0						
	28	1900	52.49	33800	2.2						
	16	3190	88.01	9310	0.95	FA	87	DRS	132S4	135	378
	19	2770	76.39	21200	1.10	FAF	87	DRS	132S4	150	377
	21	2480	68.40	21200	1.20	F	87	DRS	132S4	140	376
	25	2060	56.75	21000	1.45	FF	87	DRS	132S4	155	377
	29	1830	50.36	20800	1.60						
	32	1640	45.28	20500	1.70	FA	87	DRS	132S4	135	378
	37	1420	39.30	20100	1.90	FAF	87	DRS	132S4	150	377
	41	1270	35.19	19800	2.0	F	87	DRS	132S4	140	376
	49	1060	29.20	19100	2.4	FF	87	DRS	132S4	155	377
	43	1230	33.92	19600	2.1						
	50	1040	28.78	19100	2.3	FA	87	DRS	132S4	135	378
	55	960	26.50	18700	3.1	FAF	87	DRS	132S4	145	377
	61	860	23.68	18300	3.5	F	87	DRS	132S4	140	376
						FF	87	DRS	132S4	155	377
	30	1750	48.37	13700	0.85						
	33	1580	43.58	15100	0.95	FA	77	DRS	132S4	96	373
	38	1380	38.23	16400	1.10	FAF	77	DRS	132S4	105	372
	43	1220	33.74	17300	1.20	F	77	DRS	132S4	100	371
	48	1080	29.91	18000	1.40	FF	77	DRS	132S4	110	372
	57	920	25.54	18600	1.55						
	57	920	25.50*	18600	1.60						
	67	775	21.43	19000	1.95						
	73	715	19.70	19200	2.1	FA	77	DRS	132S4	95	373
	83	635	17.49	19400	2.4	FAF	77	DRS	132S4	100	372
	92	565	15.64*	19600	2.6	F	77	DRS	132S4	98	371
	103	510	14.06	19200	2.9	FF	77	DRS	132S4	110	372
	118	440	12.20	18600	3.4						



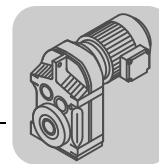
P_m [kW]	n_a [1/min]	M_a [Nm]	i	$F_{Ra}^{1)}$ [N]	SEW f_B					m [kg]		
5.5	66	800	22.05	10500	1.00							
	69	755	20.90*	10800	1.10							
	79	660	18.29	11500	1.25							
	88	595	16.48	11900	1.35							
	100	525	14.46	12300	1.55							
	113	460	12.76	12600	1.75							
	128	410	11.31	12800	2.00	FA	67	DRS	132S4	72	368	
	150	350	9.66	12900	2.3	FAF	67	DRS	132S4	78	367	
	159	325	9.08	12400	1.60	F	67	DRS	132S4	75	366	
	168	310	8.60	12300	1.80	FF	67	DRS	132S4	81	367	
	192	270	7.53	11900	2.2							
	213	245	6.78	11700	2.5							
	243	215	5.95	11300	2.8							
	275	191	5.25	11000	3.1							
	310	169	4.66	10700	3.3							
	364	144	3.97	10300	3.5							
	7.5	86	610	16.81	5460	1.00						
		91	575	15.88	5490	1.05						
		107	490	13.52	5530	1.20						
		118	445	12.29	5530	1.35	FA	57	DRS	132S4	69	363
136		385	10.64	5500	1.55	FAF	57	DRS	132S4	74	362	
176		295	8.19	5180	1.40	F	57	DRS	132S4	69	361	
187		280	7.73	5160	1.50	FF	57	DRS	132S4	75	362	
219		235	6.58	5060	1.75							
241		215	5.98	5000	1.95							
279		188	5.18	4890	2.2							
7.5		4.6	14300	312	85800	0.85	FA	127R87	DRS	132M4	495	401
		4.9	13400	293	87600	0.90	FAF	127R87	DRS	132M4	530	401
		5.6	11900	259	90000	1.00	F	127R87	DRS	132M4	530	401
		6.5	10200	223	90000	1.15	FF	127R87	DRS	132M4	580	401
	7.3	9090	198	90000	1.30							
	3.6	20000	267.43	93600	0.90							
	4.4	16300	217.62*	104900	1.10							
	5.4	13300	178.20*	111600	1.35							
	5.9	12200	162.96	113700	1.45							
	6.7	10600	141.80*	116300	1.70	FA	157	DRS	160M6	710	398	
	7.6	9380	125.14	118100	1.90	FAF	157	DRS	160M6	770	397	
	8.8	8130	108.49	119600	2.2	F	157	DRS	160M6	730	396	
	9.9	7230	96.53*	120000	2.5	FF	157	DRS	160M6	840	397	
	11	6430	85.80*	120000	2.8							
	12	5880	78.46	120000	3.1							
	14	5120	68.28*	120000	3.5							
	16	4510	60.25	120000	4.0							
	18	3910	52.24	119400	4.6							
	5.6	12800	170.83	88900	0.95	FA	127	DRS	160M6	455	393	
	6.2	11500	153.67*	90000	1.05	FAF	127	DRS	160M6	490	392	
	7.6	9400	125.37	90000	1.30	F	127	DRS	160M6	490	391	
	8.4	8570	114.34	90000	1.40	FF	127	DRS	160M6	540	392	
	8.5	8460	170.83	90000	1.40	FA	127	DRS	132M4	435	393	
	9.4	7610	153.67*	90000	1.60	FAF	127	DRS	132M4	475	392	
12	6210	125.37	90000	1.95	F	127	DRS	132M4	475	391		
					FF	127	DRS	132M4	520	392		
8.1	8850	178.64	46600	0.85	FA	107	DRS	132M4	285	388		
9.0	7990	161.28*	49000	0.95	FAF	107	DRS	132M4	305	387		
9.9	7260	146.49	50900	1.05	F	107	DRS	132M4	300	386		
11	6440	129.97	53000	1.20	FF	107	DRS	132M4	330	387		
12	5840	117.94	54400	1.30								
14	5020	101.38*	56300	1.55	FA	107	DRS	132M4	285	388		
16	4580	92.47*	57200	1.70	FAF	107	DRS	132M4	305	387		
16	4380	88.49	57600	1.75	F	107	DRS	132M4	300	386		
17	4160	83.99	58100	1.85	FF	107	DRS	132M4	330	387		
19	3690	74.52	59000	2.1								
21	3350	67.62	59700	2.3								
15	4830	97.58	21600	0.90								
16	4450	89.85	29400	0.95	FA	97	DRS	132M4	210	383		
17	4290	86.59	29900	1.00	FAF	97	DRS	132M4	230	382		
18	3980	80.31	30800	1.10	F	97	DRS	132M4	220	381		
19	3740	75.63	31500	1.15	FF	97	DRS	132M4	250	382		
20	3580	72.29	31900	1.20								



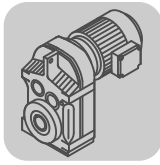
P_m [kW]	n_a [1/min]	M_a [Nm]	i	F_{Ra}¹⁾ [N]	SEW f_B					m [kg]		
7.5	22	3240	65.47	32200	1.35							
	25	2870	58.06	31800	1.50	FA	97	DRS	132M4	210	383	
	28	2600	52.49	31400	1.65	FAF	97	DRS	132M4	230	382	
	32	2200	44.49	30600	1.95	F	97	DRS	132M4	220	381	
	37	1920	38.86	29900	2.2	FF	97	DRS	132M4	250	382	
	44	1610	32.50	28900	2.7							
	33	2140	43.28	30400	1.45	FA	97	DRS	132M4	205	383	
	39	1810	36.64	29500	1.70	FAF	97	DRS	132M4	225	382	
	43	1680	33.91	29100	2.6	F	97	DRS	132M4	210	381	
	48	1500	30.39	28500	2.8	FF	97	DRS	132M4	245	382	
	25	2810	56.75	18100	1.05	FA	87	DRS	132M4	145	378	
	29	2490	50.36	18200	1.20	FAF	87	DRS	132M4	160	377	
	32	2240	45.28	18200	1.25	F	87	DRS	132M4	150	376	
	37	1940	39.30	18100	1.40	FF	87	DRS	132M4	170	377	
	41	1740	35.19	18000	1.50							
	49	1440	29.20	17600	1.75							
	50	1420	28.78	17600	1.70	FA	87	DRS	132M4	145	378	
	55	1310	26.50	17400	2.3	FAF	87	DRS	132M4	155	377	
	61	1170	23.68	17100	2.6	F	87	DRS	132M4	150	376	
	68	1050	21.32*	16800	2.8	FF	87	DRS	132M4	165	377	
	75	950	19.31	16500	3.1							
	84	840	17.12	16100	3.5							
	93	765	15.48	15800	3.9							
	43	1670	33.74	14500	0.90	FA	77	DRS	132M4	105	373	
	48	1480	29.91	15800	1.00	FAF	77	DRS	132M4	115	372	
	57	1260	25.54	17100	1.15	F	77	DRS	132M4	110	371	
						FF	77	DRS	132M4	120	372	
	57	1260	25.50*	17100	1.20							
	67	1060	21.43	18100	1.40							
	73	970	19.70	18400	1.55							
	83	860	17.49	18800	1.75							
	92	775	15.64*	18900	1.95							
	103	695	14.06	18500	2.2	FA	77	DRS	132M4	105	373	
	118	600	12.20	18000	2.5	FAF	77	DRS	132M4	110	372	
	132	540	10.93	17600	2.8	F	77	DRS	132M4	110	371	
	155	460	9.30	16500	2.3	FF	77	DRS	132M4	120	372	
	175	405	8.26	16100	2.6							
	196	365	7.39	15700	3.0							
	218	325	6.64	15300	3.3							
	251	285	5.76	14800	3.8							
	280	255	5.16	14400	4.2							
	338	210	4.28	13800	4.8							
	9.2	4.2	19500	353	95400	0.90						
		4.8	16800	302	103500	1.05	FA	157R97	DRS	132MC4	810	401
		5.4	15200	273	107600	1.20	FAF	157R97	DRS	132MC4	870	401
		6.3	12800	232	112500	1.40	F	157R97	DRS	132MC4	840	401
7.2		11200	202	115400	1.60	FF	157R97	DRS	132MC4	940	401	
7.5		10900	197	115900	1.65							
5.7		14400	259	85700	0.85	FA	127R87	DRS	132MC4	500	401	
6.6		12400	223	89500	0.95	FAF	127R87	DRS	132MC4	540	401	
7.4		11000	198	90000	1.10	F	127R87	DRS	132MC4	540	401	
						FF	127R87	DRS	132MC4	580	401	
8.6		10200	170.83	90000	1.15							
9.5		9210	153.67*	90000	1.30	FA	127	DRS	132MC4	440	393	
12		7510	125.37	90000	1.60	FAF	127	DRS	132MC4	475	392	
13		6850	114.34	90000	1.75	F	127	DRS	132MC4	475	391	
15		5930	98.95	90000	2.0	FF	127	DRS	132MC4	520	392	
10		8780	146.49	46800	0.85							
11		7790	129.97	49500	1.00	FA	107	DRS	132MC4	290	388	
12		7070	117.94	51400	1.10	FAF	107	DRS	132MC4	310	387	
14		6070	101.38*	53800	1.25	F	107	DRS	132MC4	305	386	
						FF	107	DRS	132MC4	330	387	
16		5540	92.47*	55100	1.40							
17		5030	83.99	56200	1.50	FA	107	DRS	132MC4	290	388	
20		4460	74.52	57500	1.70	FAF	107	DRS	132MC4	310	387	
22		4050	67.62	58300	1.90	F	107	DRS	132MC4	305	386	
25		3480	58.12*	58100	2.2	FF	107	DRS	132MC4	330	387	
29		3040	50.73	56600	2.5							

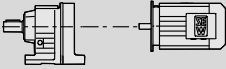



P_m [kW]	n_a [1/min]	M_a [Nm]	i	$F_{Ra}^{1)}$ [N]	SEW f_B					m [kg]		
												FA
9.2	18	4810	80.31	22500	0.90							
	19	4530	75.63	29200	0.95	FA	97	DRS	132MC4	215	383	
	20	4330	72.29	29600	1.00	FAF	97	DRS	132MC4	235	382	
	22	3920	65.47	29600	1.10	F	97	DRS	132MC4	220	381	
	25	3480	58.06	29500	1.25	FF	97	DRS	132MC4	255	382	
	28	3140	52.49	29300	1.35	FA	97	DRS	132MC4	215	383	
	33	2660	44.49	28800	1.60	FAF	97	DRS	132MC4	235	382	
	38	2330	38.86	28300	1.85	F	97	DRS	132MC4	220	381	
	45	1940	32.50	27500	2.2	FF	97	DRS	132MC4	255	382	
	43	2030	33.91	27700	2.1	FA	97	DRS	132MC4	210	383	
	48	1820	30.39	27200	2.4	FAF	97	DRS	132MC4	230	382	
	53	1640	27.44*	26700	2.6	F	97	DRS	132MC4	215	381	
	59	1490	24.92	26200	2.9	FF	97	DRS	132MC4	250	382	
	29	3020	50.36	16000	0.95	FA	87	DRS	132MC4	150	378	
	32	2710	45.28	16200	1.05	FAF	87	DRS	132MC4	160	377	
	37	2350	39.30	16400	1.15	F	87	DRS	132MC4	155	376	
	42	2110	35.19	16400	1.25	FF	87	DRS	132MC4	170	377	
	50	1750	29.20	16300	1.45							
	55	1580	26.50	16200	1.90							
	62	1420	23.68	16100	2.1	FA	87	DRS	132MC4	145	378	
	69	1270	21.32*	15900	2.4	FAF	87	DRS	132MC4	160	377	
	76	1150	19.31	15600	2.6	F	87	DRS	132MC4	155	376	
	86	1020	17.12	15400	2.9	FF	87	DRS	132MC4	170	377	
	95	920	15.48	15100	3.2							
	112	785	13.12*	14700	3.8							
	74	1180	19.70	17500	1.25							
	84	1040	17.49	18100	1.45							
	94	930	15.64*	18200	1.60							
	104	840	14.06	17900	1.80							
	120	730	12.20	17400	2.0	FA	77	DRS	132MC4	110	373	
	134	655	10.93	17100	2.3	FAF	77	DRS	132MC4	115	372	
	158	555	9.30	16000	1.95	F	77	DRS	132MC4	115	371	
	177	495	8.26	15600	2.2	FF	77	DRS	132MC4	125	372	
	198	440	7.39	15200	2.4							
	221	395	6.64	14900	2.7							
	254	345	5.76	14500	3.1							
	284	305	5.16	14100	3.5							
	342	255	4.28	13500	3.9							
	11.0	4.8	20200	302	92800	0.90	FA	157R97	DRS	160M4	840	401
		5.3	18300	273	99300	1.00	FAF	157R97	DRS	160M4	890	401
		6.3	15400	232	107000	1.15	F	157R97	DRS	160M4	860	401
		7.2	13400	202	111300	1.35	FF	157R97	DRS	160M4	960	401
		7.4	13100	197	112000	1.35						
		6.5	14900	223	84600	0.80	FA	127R87	DRS	160M4	520	401
		7.4	13200	198	88000	0.90	FAF	127R87	DRS	160M4	560	401
		8.8	11100	166	90000	1.10	F	127R87	DRS	160M4	560	401
							FF	127R87	DRS	160M4	600	401
		5.5	19200	267.43	96400	0.95						
6.7		15600	217.62*	106600	1.15							
8.2		12800	178.20*	112600	1.40							
9.0		11700	162.96	114600	1.55	FA	157	DRS	160M4	710	398	
10		10200	141.80*	117000	1.75	FAF	157	DRS	160M4	770	397	
12		9000	125.14	118600	2.0	F	157	DRS	160M4	730	396	
13		7800	108.49	120000	2.3	FF	157	DRS	160M4	840	397	
15		6940	96.53*	120000	2.6							
17		6170	85.80*	117700	2.9							
19		5640	78.46	115300	3.2							
21		4910	68.28*	111600	3.7							
8.6		12200	170.83	89900	1.00							
9.5		11000	153.67*	90000	1.10	FA	127	DRS	160M4	455	393	
12		9020	125.37	90000	1.35	FAF	127	DRS	160M4	490	392	
13		8220	114.34	90000	1.45	F	127	DRS	160M4	490	391	
15		7110	98.95	90000	1.70	FF	127	DRS	160M4	540	392	
17		6280	87.31*	90000	1.90							
19		5420	75.41*	88400	2.2							
12		8480	117.94	47600	0.90	FA	107	DRS	160M4	310	388	
14		7290	101.38*	50800	1.05	FAF	107	DRS	160M4	330	387	
16		6650	92.47*	52500	1.15	F	107	DRS	160M4	325	386	
						FF	107	DRS	160M4	355	387	



P_m [kW]	n_a [1/min]	M_a [Nm]	i	$F_{Ra}^{1)}$ [N]	SEW f_B					m [kg]		
11.0	17	6040	83.99	53900	1.25							
	20	5360	74.52	55500	1.45	FA	107	DRS	160M4	310	388	
	22	4860	67.62	56600	1.60	FAF	107	DRS	160M4	330	387	
	25	4180	58.12*	56300	1.85	F	107	DRS	160M4	325	386	
	29	3650	50.73	55000	2.1	FF	107	DRS	160M4	355	387	
	34	3090	43.03	53400	2.5							
	43	2430	33.79*	50800	3.0	FA	107	DRS	160M4	300	388	
	53	1980	27.57	48600	4.0	FAF	107	DRS	160M4	320	387	
	58	1800	25.14	47600	4.3	F	107	DRS	160M4	315	386	
						FF	107	DRS	160M4	345	387	
	22	4710	65.47	26400	0.90	FA	97	DRS	160M4	235	383	
	25	4170	58.06	27100	1.05	FAF	97	DRS	160M4	255	382	
	28	3770	52.49	27100	1.15	F	97	DRS	160M4	240	381	
						FF	97	DRS	160M4	275	382	
	33	3200	44.49	27000	1.35	FA	97	DRS	160M4	235	383	
	38	2790	38.86	26700	1.55	FAF	97	DRS	160M4	255	382	
	45	2330	32.50	26200	1.85	F	97	DRS	160M4	240	381	
						FF	97	DRS	160M4	275	382	
	43	2430	33.91	26300	1.75	FA	97	DRS	160M4	230	383	
	48	2180	30.39	26000	1.95	FAF	97	DRS	160M4	250	382	
	53	1970	27.44*	25600	2.2	F	97	DRS	160M4	235	381	
	59	1790	24.92	25200	2.4	FF	97	DRS	160M4	270	382	
	66	1590	22.11	24700	2.7							
	37	2820	39.30	14600	0.95	FA	87	DRS	160M4	170	378	
	41	2530	35.19	14800	1.05	FAF	87	DRS	160M4	185	377	
	50	2100	29.20	15000	1.20	F	87	DRS	160M4	175	376	
						FF	87	DRS	160M4	190	377	
	55	1900	26.50	15000	1.55							
	62	1700	23.68	15000	1.75	FA	87	DRS	160M4	170	378	
	68	1530	21.32*	14900	1.95	FAF	87	DRS	160M4	180	377	
	76	1380	19.31	14800	2.2	F	87	DRS	160M4	175	376	
	85	1230	17.12	14600	2.4	FF	87	DRS	160M4	190	377	
	94	1110	15.48	14400	2.7							
	111	940	13.12*	14100	3.2							
	74	1410	19.70	16300	1.05							
	83	1250	17.49	17200	1.20							
	93	1120	15.64*	17600	1.35							
	104	1010	14.06	17300	1.50							
	120	870	12.20	16900	1.70	FA	77	DRS	160M4	130	373	
	134	785	10.93	16600	1.90	FAF	77	DRS	160M4	135	372	
	157	665	9.30	15500	1.60	F	77	DRS	160M4	135	371	
	177	590	8.26	15200	1.80	FF	77	DRS	160M4	145	372	
	198	530	7.39	14900	2.0							
	220	475	6.64	14600	2.3							
	253	410	5.76	14200	2.6							
	283	370	5.16	13800	2.9							
	341	305	4.28	13300	3.3							
	15.0	6.3	21100	232	89700	0.85	FA	157R97	DRS	160MC4	840	401
		7.2	18400	202	99000	1.00	FAF	157R97	DRS	160MC4	900	401
		7.5	17900	197	100500	1.00	F	157R97	DRS	160MC4	860	401
							FF	157R97	DRS	160MC4	970	401
		6.7	21200	217.62*	89000	0.85						
8.2		17400	178.20*	101900	1.05							
9.0		15900	162.96	105900	1.15							
10		13800	141.80*	110600	1.30	FA	157	DRS	160MC4	710	398	
12		12200	125.14	113700	1.45	FAF	157	DRS	160MC4	770	397	
14		10600	108.49	116400	1.70	F	157	DRS	160MC4	740	396	
15		9430	96.53*	115700	1.90	FF	157	DRS	160MC4	840	397	
17		8380	85.80*	113200	2.2							
19		7670	78.46	111100	2.4							
21		6670	68.28*	108000	2.7							
24		5890	60.25	105100	3.1							
12		12200	125.37	89000	1.00							
13		11100	114.34	88300	1.05	FA	127	DRS	160MC4	460	393	
15		9670	98.95	87000	1.25	FAF	127	DRS	160MC4	495	392	
17		8530	87.31*	85600	1.40	F	127	DRS	160MC4	495	391	
19		7370	75.41*	83800	1.65	FF	127	DRS	160MC4	540	392	
21		6850	70.07	82800	1.75							



P_m [kW]	n_a [1/min]	M_a [Nm]	i	$F_{Ra}^{1)}$ [N]	SEW f_B					m [kg]		
15.0	16	9040	92.47*	46000	0.85							
	17	8650	88.49	47100	0.90	FA	107	DRS	160MC4	315	388	
	17	8210	83.99	48400	0.95	FAF	107	DRS	160MC4	335	387	
	20	7280	74.52	50800	1.05	F	107	DRS	160MC4	330	386	
	22	6610	67.62	52600	1.15	FF	107	DRS	160MC4	360	387	
	25	5680	58.12*	52200	1.35	FA	107	DRS	160MC4	315	388	
	29	4960	50.73	51500	1.55	FAF	107	DRS	160MC4	335	387	
	34	4200	43.03	50300	1.85	F	107	DRS	160MC4	330	386	
	39	3670	37.61	49300	2.1	FF	107	DRS	160MC4	360	387	
	46	3100	31.80	47900	2.5							
	43	3300	33.79*	48400	2.2	FA	107	DRS	160MC4	305	388	
	53	2690	27.57	46700	2.9	FAF	107	DRS	160MC4	325	387	
	58	2450	25.14	45800	3.2	F	107	DRS	160MC4	320	386	
	67	2120	21.76*	44500	3.7	FF	107	DRS	160MC4	350	387	
	33	4340	44.49	22900	1.00	FA	97	DRS	160MC4	240	383	
	38	3790	38.86	23100	1.15	FAF	97	DRS	160MC4	260	382	
	45	3170	32.50	23200	1.35	F	97	DRS	160MC4	245	381	
						FF	97	DRS	160MC4	280	382	
	43	3310	33.91	23200	1.30							
	48	2970	30.39	23200	1.45							
	53	2680	27.44*	23100	1.60							
	59	2430	24.92	22900	1.75	FA	97	DRS	160MC4	235	383	
	66	2160	22.11	22600	2.00	FAF	97	DRS	160MC4	255	382	
	73	1960	20.07	22400	2.2	F	97	DRS	160MC4	240	381	
	85	1680	17.25*	21900	2.6	FF	97	DRS	160MC4	275	382	
	97	1470	15.06	21400	2.9							
	115	1240	12.77	20800	3.4							
	131	1090	11.16	20200	3.8							
	55	2590	26.50	12400	1.15							
	62	2310	23.68	12600	1.30							
	69	2080	21.32*	12700	1.45							
	76	1880	19.31	12800	1.60							
	86	1670	17.12	12900	1.80							
	95	1510	15.48	12800	2.00							
	112	1280	13.12*	12700	2.3	FA	87	DRS	160MC4	175	378	
	128	1120	11.46	12600	2.7	FAF	87	DRS	160MC4	185	377	
	153	930	9.58	12300	3.1	F	87	DRS	160MC4	180	376	
	177	810	8.29	11700	1.90	FF	87	DRS	160MC4	195	377	
	199	715	7.35	11500	2.1							
	220	645	6.65	11300	2.4							
260	550	5.63	11000	2.8								
298	480	4.92	10700	3.2								
356	400	4.12	10300	3.6								
18.5	7.2	22800	202	68200	0.80	FA	157R97	DRS	180M4	880	401	
	7.4	22200	197	82300	0.80	FAF	157R97	DRS	180M4	940	401	
						F	157R97	DRS	180M4	910	401	
						FF	157R97	DRS	180M4	1010	401	
	8.2	21500	178.20*	87900	0.85							
	9.0	19700	162.96	94800	0.90							
	10	17100	141.80*	102700	1.05							
	12	15100	125.14	107800	1.20							
	13	13100	108.49	112100	1.35	FA	157	DRS	180M4	760	398	
	15	11600	96.53*	111400	1.55	FAF	157	DRS	180M4	820	397	
	17	10300	85.80*	109300	1.75	F	157	DRS	180M4	780	396	
	19	9490	78.46	107600	1.90	FF	157	DRS	180M4	880	397	
	21	8260	68.28*	104900	2.2							
	24	7290	60.25	102400	2.5							
	28	6320	52.24	99400	2.8							
	13	13800	114.34	82200	0.85							
	15	11900	98.95	81700	1.00							
	17	10500	87.31*	81000	1.15	FA	127	DRS	180M4	500	393	
	19	9120	75.41*	79800	1.30	FAF	127	DRS	180M4	540	392	
	21	8470	70.07	79100	1.40	F	127	DRS	180M4	540	391	
	23	7730	63.91	78100	1.55	FF	127	DRS	180M4	580	392	
	26	6690	55.31	76500	1.80							
	30	5900	48.80	74900	2.0							



Kalasanati.com

F..DRS
F..DRS [kW]



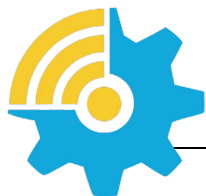
10

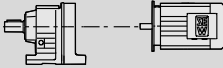

P _m [kW]	n _a [1/min]	M _a [Nm]	i	F _{Ra} ¹⁾ [N]	SEW f _B					m [kg]	
						FA	FAF	DRS	180M4		
18.5	20	9010	74.52	46100	0.85	FA	107	DRS	180M4	360	388
	22	8180	67.62	48500	0.95	FAF	107	DRS	180M4	380	387
	25	7030	58.12*	48700	1.10	F	107	DRS	180M4	375	386
	29	6130	50.73	48400	1.25	FF	107	DRS	180M4	405	387
	34	5200	43.03	47800	1.45	FA	107	DRS	180M4	360	388
	39	4550	37.61	47100	1.70	FAF	107	DRS	180M4	380	387
	46	3840	31.80	46000	2.0	F	107	DRS	180M4	375	386
	46	3840	31.80	46000	2.0	FF	107	DRS	180M4	405	387
	43	4080	33.79*	46400	1.80	FA	107	DRS	180M4	350	388
	53	3330	27.57	45000	2.4	FAF	107	DRS	180M4	370	387
	58	3040	25.14	44300	2.6	F	107	DRS	180M4	365	386
	67	2630	21.76*	43200	3.0	FF	107	DRS	180M4	395	387
	38	4700	38.86	20000	0.90	FA	97	DRS	180M4	285	383
	45	3930	32.50	20600	1.10	FAF	97	DRS	180M4	305	382
	45	3930	32.50	20600	1.10	F	97	DRS	180M4	290	381
	45	3930	32.50	20600	1.10	FF	97	DRS	180M4	325	382
	53	3320	27.44*	20900	1.30						
	59	3010	24.92	20900	1.45						
	66	2670	22.11	20900	1.60	FA	97	DRS	180M4	280	383
	73	2420	20.07	20800	1.75	FAF	97	DRS	180M4	300	382
	85	2080	17.25*	20500	2.1	F	97	DRS	180M4	285	381
	97	1820	15.06	20200	2.4	FF	97	DRS	180M4	320	382
	114	1540	12.77	19800	2.8						
	131	1350	11.16	19300	3.0						
	68	2570	21.32*	10900	1.15						
	76	2330	19.31	11100	1.30						
	85	2070	17.12	11400	1.45						
	94	1870	15.48	11500	1.60						
	111	1580	13.12*	11600	1.90	FA	87	DRS	180M4	215	378
	127	1380	11.46	11600	2.2	FAF	87	DRS	180M4	230	377
	152	1150	9.58	11500	2.5	F	87	DRS	180M4	225	376
	176	1000	8.29	10900	1.55	FF	87	DRS	180M4	240	377
	199	880	7.35	10800	1.70						
	220	800	6.65	10700	1.90						
	259	680	5.63	10500	2.2						
	297	595	4.92	10200	2.6						
	355	495	4.12	9910	2.9						
	22	10	20400	141.80*	92400	0.90					
12		18000	125.14	100200	1.00						
13		15600	108.49	106700	1.15						
15		13800	96.53*	107000	1.30						
17		12300	85.80*	105400	1.45	FA	157	DRS	180L4	780	398
19		11200	78.46	104000	1.60	FAF	157	DRS	180L4	840	397
21		9820	68.28*	101800	1.85	F	157	DRS	180L4	800	396
24		8660	60.25	99600	2.1	FF	157	DRS	180L4	900	397
28		7510	52.24	97000	2.4						
31		6680	46.48*	94800	2.7						
36		5760	40.06	92000	3.1						
45		4680	32.55	87900	3.8						
15		14200	98.95	76300	0.85						
17		12500	87.31*	76300	0.95						
19		10800	75.41*	75700	1.10	FA	127	DRS	180L4	520	393
21		10000	70.07	75300	1.20	FAF	127	DRS	180L4	560	392
23		9190	63.91	74700	1.30	F	127	DRS	180L4	560	391
26		7950	55.31	73500	1.50	FF	127	DRS	180L4	600	392
30		7020	48.80	72300	1.70						
35		6060	42.15	70700	2.00						
25		8360	58.12*	45200	0.90	FA	107	DRS	180L4	380	388
29		7300	50.73	45300	1.05	FAF	107	DRS	180L4	400	387
34		6190	43.03	45100	1.25	F	107	DRS	180L4	395	386
34		6190	43.03	45100	1.25	FF	107	DRS	180L4	425	387
39		5410	37.61	44800	1.40	FA	107	DRS	180L4	380	388
46		4570	31.80	44100	1.70	FAF	107	DRS	180L4	400	387
46		4570	31.80	44100	1.70	F	107	DRS	180L4	395	386
46		4570	31.80	44100	1.70	FF	107	DRS	180L4	425	387

10



P _m [kW]	n _a [1/min]	M _a [Nm]	i	F _{Ra} ¹⁾ [N]	SEW f _B					m [kg]	
						FA	FAF	DRS	180L4		
22	43	4860	33.79*	44400	1.50						
	53	3960	27.57	43300	2.00	FA	107	DRS	180L4	370	388
	58	3610	25.14	42800	2.2	FAF	107	DRS	180L4	390	387
	67	3130	21.76*	41900	2.5	F	107	DRS	180L4	385	386
	76	2760	19.20*	41000	2.8	FF	107	DRS	180L4	415	387
	53	3940	27.44*	18700	1.10						
	59	3580	24.92	18900	1.20						
	66	3180	22.11	19100	1.35	FA	97	DRS	180L4	300	383
	73	2880	20.07	19200	1.50	FAF	97	DRS	180L4	320	382
	85	2480	17.25*	19100	1.75	F	97	DRS	180L4	305	381
	97	2160	15.06	19000	2.00	FF	97	DRS	180L4	340	382
	114	1830	12.77	18700	2.3						
	131	1600	11.16	18500	2.6						
	68	3060	21.32*	8970	1.00						
	76	2770	19.31	9410	1.10						
	85	2460	17.12	9840	1.20						
	94	2220	15.48	10100	1.35						
	111	1880	13.12*	10400	1.60	FA	87	DRS	180L4	235	378
	127	1640	11.46	10600	1.80	FAF	87	DRS	180L4	250	377
	152	1370	9.58	10600	2.1	F	87	DRS	180L4	240	376
176	1190	8.29	10100	1.30	FF	87	DRS	180L4	255	377	
199	1050	7.35	10100	1.45							
220	950	6.65	10000	1.60							
259	810	5.63	9900	1.90							
297	705	4.92	9750	2.2							
355	590	4.12	9510	2.5							
30	14	21100	108.49	89600	0.85						
	15	18800	96.53*	96900	0.95						
	17	16700	85.80*	96400	1.10	FA	157	DRS	180LC4	790	398
	19	15200	78.46	95800	1.20	FAF	157	DRS	180LC4	850	397
	22	13300	68.28*	94600	1.35	F	157	DRS	180LC4	810	396
	24	11700	60.25	93300	1.55	FF	157	DRS	180LC4	920	397
	28	10100	52.24	91500	1.75						
	32	9050	46.48*	89900	2.00						
	37	7800	40.06	87700	2.3						
	19	14600	75.41*	64500	0.80						
	21	13600	70.07	65600	0.90						
	23	12400	63.91	66800	0.95	FA	127	DRS	180LC4	530	393
	27	10700	55.31	66700	1.10	FAF	127	DRS	180LC4	570	392
	30	9510	48.80	66300	1.25	F	127	DRS	180LC4	570	391
	35	8210	42.15	65500	1.45	FF	127	DRS	180LC4	620	392
	39	7260	37.28	64700	1.65						
	47	6100	31.33	63200	1.95						
	58	4930	25.30	61200	2.4						
	55	5230	26.86	61800	1.60	FA	127	DRS	180LC4	520	393
	60	4780	24.57	60900	1.80	FAF	127	DRS	180LC4	560	392
	69	4160	21.38	59400	2.9	F	127	DRS	180LC4	560	391
	78	3670	18.87	58000	3.0	FF	127	DRS	180LC4	600	392
	34	8380	43.03	39200	0.90	FA	107	DRS	180LC4	390	388
	39	7320	37.61	39600	1.05	FAF	107	DRS	180LC4	410	387
	46	6190	31.80	39700	1.25	F	107	DRS	180LC4	405	386
						FF	107	DRS	180LC4	435	387
	53	5370	27.57	39500	1.45						
	58	4890	25.14	39300	1.60	FA	107	DRS	180LC4	380	388
	68	4240	21.76*	38800	1.85	FAF	107	DRS	180LC4	400	387
	77	3740	19.20*	38300	2.1	F	107	DRS	180LC4	395	386
89	3230	16.58	37600	2.4	FF	107	DRS	180LC4	425	387	
100	2850	14.67	36900	2.7							
119	2400	12.33	35900	2.9							
148	1940	9.96	34500	3.4							

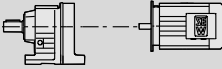



P_m [kW]	n_a [1/min]	M_a [Nm]	i	$F_{Ra}^{1)}$ [N]	SEW f_B		m [kg]		
30	66	4300	22.11	15100	1.00				
	73	3910	20.07	15500	1.10				
	85	3360	17.25*	16000	1.30				
	98	2930	15.06	16300	1.45				
	115	2480	12.77	16400	1.75	FA 97	DRS 180LC4	310	383
	132	2170	11.16	16400	1.90	FAF 97	DRS 180LC4	330	382
	162	1760	9.06	15400	1.35	F 97	DRS 180LC4	315	381
	179	1600	8.22	15300	1.45	FF 97	DRS 180LC4	350	382
	208	1370	7.07	15100	1.70				
	238	1200	6.17	14900	1.85				
	281	1010	5.23	14600	2.1				
321	890	4.57	14300	2.3					
37	17	20600	85.80*	88600	0.85				
	19	18800	78.46	88700	0.95				
	22	16400	68.28*	88400	1.10	FA 157	DRS 225S4	910	398
	24	14400	60.25	87800	1.25	FAF 157	DRS 225S4	970	397
	28	12500	52.24	86800	1.45	F 157	DRS 225S4	930	396
	32	11100	46.48*	85700	1.60	FF 157	DRS 225S4	1030	397
	37	9620	40.06	84000	1.85				
	45	7820	32.55	81400	2.3				
	53	6630	27.60	79100	2.7				
	27	13200	55.31	59100	0.90	FA 127	DRS 225S4	650	393
	30	11700	48.80	60700	1.00	FAF 127	DRS 225S4	690	392
	35	10100	42.15	61100	1.20	F 127	DRS 225S4	690	391
	39	8960	37.28	60700	1.35	FF 127	DRS 225S4	730	392
	47	7530	31.33	59900	1.60				
	58	6080	25.30	58500	1.95				
	55	6450	26.86	58900	1.30				
60	5900	24.57	58300	1.45					
69	5130	21.38	57100	2.3	FA 127	DRS 225S4	640	393	
78	4530	18.87	56000	2.4	FAF 127	DRS 225S4	680	392	
90	3930	16.36	54600	2.8	F 127	DRS 225S4	680	391	
101	3490	14.55	53400	3.1	FF 127	DRS 225S4	720	392	
117	3010	12.54	51900	3.3					
144	2440	10.19	49600	3.9					
166	2120	8.86	47700	3.3					
186	1890	7.88	46500	3.2					
53	6620	27.57	36200	1.20					
58	6040	25.14	36200	1.30					
68	5230	21.76*	36200	1.50					
77	4610	19.20*	36000	1.70					
89	3980	16.58	35600	1.95	FA 107	DRS 225S4	500	388	
100	3520	14.67	35100	2.2	FAF 107	DRS 225S4	520	387	
119	2960	12.33	34400	2.4	F 107	DRS 225S4	510	386	
148	2390	9.96	33300	2.7	FF 107	DRS 225S4	540	387	
152	2320	9.69	32400	2.1					
176	2010	8.37	31700	2.4					
199	1770	7.40	31000	2.6					
236	1490	6.22	30000	3.1					
45	22	19800	68.28*	81400	0.90				
	25	17400	60.25	81600	1.05	FA 157	DRS 225M4	930	398
	28	15100	52.24	81300	1.20	FAF 157	DRS 225M4	990	397
	32	13400	46.48*	80800	1.35	F 157	DRS 225M4	950	396
	37	11600	40.06	79800	1.55	FF 157	DRS 225M4	1060	397
	45	9450	32.55	78000	1.90				
	54	8010	27.60	76200	2.2				
	30	14100	48.80	51600	0.85	FA 127	DRS 225M4	670	393
	35	12200	42.15	54300	1.00	FAF 127	DRS 225M4	710	392
	40	10800	37.28	55800	1.10	F 127	DRS 225M4	710	391
	47	9090	31.33	56100	1.30	FF 127	DRS 225M4	750	392
58	7340	25.30	55400	1.65					



P_m [kW]	n_a [1/min]	M_a [Nm]	i	$F_{Ra}^{1)}$ [N]	SEW f_B					m [kg]	
45	55	7800	26.86	55600	1.10						
	60	7130	24.57	55300	1.20						
	69	6200	21.38	54500	1.95						
	78	5470	18.87	53600	2.0						
	90	4740	16.36	52600	2.3	FA	127	DRS	225M4	660	393
	102	4220	14.55	51600	2.6	FAF	127	DRS	225M4	700	392
	118	3640	12.54	50300	2.8	F	127	DRS	225M4	700	391
	145	2950	10.19	48300	3.2	FF	127	DRS	225M4	740	392
	167	2570	8.86	46500	2.7						
	188	2280	7.88	45400	2.6						
	218	1970	6.80	44000	3.6						
	268	1600	5.52	41900	3.7						
	54	8000	27.57	31500	1.00						
	59	7300	25.14	32600	1.05						
	68	6310	21.76*	33200	1.25						
	77	5570	19.20*	33300	1.40						
	89	4810	16.58	33300	1.65	FA	107	DRS	225M4	520	388
	101	4250	14.67	33100	1.80	FAF	107	DRS	225M4	540	387
	120	3570	12.33	32600	1.95	F	107	DRS	225M4	540	386
	149	2890	9.96	31900	2.2	FF	107	DRS	225M4	560	387
	153	2810	9.69	30900	1.75						
	177	2430	8.37	30400	1.95						
	200	2140	7.40	29900	2.1						
	238	1800	6.22	29000	2.6						
55	25	21300	60.25	73800	0.85						
	28	18500	52.24	74600	0.95	FA	157	DRS	225MC4	940	398
	32	16400	46.48*	74800	1.10	FAF	157	DRS	225MC4	1000	397
	37	14200	40.06	74700	1.25	F	157	DRS	225MC4	960	396
	45	11500	32.55	73800	1.55	FF	157	DRS	225MC4	1070	397
	54	9790	27.60	72600	1.85						
	52	10100	28.60*	72900	1.65	FA	157	DRS	225MC4	930	398
	58	9020	25.43	71900	1.65	FAF	157	DRS	225MC4	990	397
	67	7860	22.16	70600	2.3	F	157	DRS	225MC4	960	396
	75	7010	19.77	69400	2.4	FF	157	DRS	225MC4	1060	397
	88	5980	16.85	67500	3.0						
	40	13200	37.28	47000	0.90	FA	127	DRS	225MC4	690	393
	47	11100	31.33	50000	1.10	FAF	127	DRS	225MC4	720	392
	58	8970	25.30	51600	1.35	F	127	DRS	225MC4	720	391
	FF					FF	127	DRS	225MC4	770	392
	69	7580	21.38	51300	1.60						
	78	6690	18.87	50800	1.65						
	90	5800	16.36	50100	1.90						
	102	5160	14.55	49400	2.1	FA	127	DRS	225MC4	670	393
	118	4450	12.54	48400	2.2	FAF	127	DRS	225MC4	710	392
	145	3610	10.19	46800	2.6	F	127	DRS	225MC4	710	391
	167	3140	8.86	45100	2.2	FF	127	DRS	225MC4	760	392
	188	2790	7.88	44100	2.1						
	218	2410	6.80	42900	2.9						
268	1950	5.52	41100	3.1							
316	1660	4.68	39600	3.6							
75	32	22400	46.48*	62900	0.80	FA	157	DV	280S4	1200	398
	37	19300	40.06	64400	0.95	FAF	157	DV	280S4	1260	397
	45	15700	32.55	65400	1.15	F	157	DV	280S4	1220	396
	54	13300	27.60	65500	1.35	FF	157	DV	280S4	1330	397
	52	13800	28.60*	65500	1.25						
	58	12300	25.43	65400	1.20	FA	157	DV	280S4	1190	398
	67	10700	22.16	64900	1.70	FAF	157	DV	280S4	1250	397
	75	9560	19.77	64300	1.80	F	157	DV	280S4	1220	396
	88	8150	16.85	63200	2.2	FF	157	DV	280S4	1320	397
	106	6750	13.96	61600	2.5						
	124	5760	11.92	60100	2.8						
	58	12200	25.30	44000	1.00	FA	127	DV	280S4	950	393
	FAF					FAF	127	DV	280S4	980	392
	F					F	127	DV	280S4	980	391
	FF					FF	127	DV	280S4	1030	392

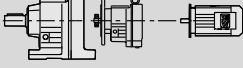



P_m [kW]	n_a [1/min]	M_a [Nm]	i	$F_{Ra}^{1)}$ [N]	SEW f_B					m [kg]		
75	69	10300	21.38	44800	1.15							
	78	9120	18.87	45100	1.20							
	90	7910	16.36	45200	1.40							
	102	7040	14.55	45000	1.55							
	118	6060	12.54	44600	1.65	FA	127	DV	280S4	940	393	
	145	4930	10.19	43700	1.95	FAF	127	DV	280S4	970	392	
	167	4280	8.86	42200	1.65	F	127	DV	280S4	970	391	
	188	3810	7.88	41600	1.55	FF	127	DV	280S4	1020	392	
	218	3280	6.80	40700	2.1							
	268	2670	5.52	39300	2.2							
316	2260	4.68	38100	2.6								
90	45	18900	32.55	59100	0.95	FA	157	DV	280M4	1200	398	
	54	16000	27.60	60200	1.10	FAF	157	DV	280M4	1260	397	
						F	157	DV	280M4	1220	396	
						FF	157	DV	280M4	1330	397	
	67	12800	22.16	60600	1.40	FA	157	DV	280M4	1200	398	
	75	11400	19.77	60500	1.50	FAF	157	DV	280M4	1260	397	
	88	9780	16.85	59900	1.85	F	157	DV	280M4	1220	396	
	106	8100	13.96	58900	2.1	FF	157	DV	280M4	1330	397	
	124	6920	11.92	57800	2.3							
						FA	127	DV	280M4	950	393	
						FAF	127	DV	280M4	990	392	
						F	127	DV	280M4	990	391	
						FF	127	DV	280M4	1030	392	
	90	9490	16.36	41500	1.15							
	102	8450	14.55	41700	1.30							
	118	7280	12.54	41800	1.35							
	145	5910	10.19	41400	1.60	FA	127	DV	280M4	940	393	
	167	5140	8.86	40100	1.35	FAF	127	DV	280M4	980	392	
	188	4570	7.88	39700	1.30	F	127	DV	280M4	970	391	
	218	3940	6.80	39000	1.75	FF	127	DV	280M4	1020	392	
	268	3200	5.52	37900	1.85							
316	2710	4.68	36900	2.2								
110	54	19500	27.60	53100	0.90	FA	157	DRS	315K4	1450	398	
						FAF	157	DRS	315K4	1510	397	
						F	157	DRS	315K4	1470	396	
						FF	157	DRS	315K4	1580	397	
	67	15700	22.16	54900	1.15	FA	157	DRS	315K4/ERF/NS	1440	398	
						FAF	157	DRS	315K4/ERF/NS	1500	397	
						F	157	DRS	315K4/ERF/NS	1470	396	
						FF	157	DRS	315K4/ERF/NS	1570	397	
	75	14000	19.77	55400	1.20	FA	157	DRS	315K4	1440	398	
	88	11900	16.85	55600	1.50	FAF	157	DRS	315K4	1500	397	
	106	9890	13.96	55300	1.70	F	157	DRS	315K4	1470	396	
	124	8440	11.92	54700	1.90	FF	157	DRS	315K4	1570	397	
	132	67	18800	22.16	48600	0.95	FA	157	DRS	315S4/ERF/NS	1520	398
							FAF	157	DRS	315S4/ERF/NS	1580	397
75		16800	19.77	49800	1.00	F	157	DRS	315S4/ERF/NS	1550	396	
						FF	157	DRS	315S4/ERF/NS	1650	397	
88		14300	16.85	50800	1.25	FA	157	DRS	315S4	1520	398	
106		11800	13.96	51400	1.45	FAF	157	DRS	315S4	1580	397	
124		10100	11.92	51400	1.60	F	157	DRS	315S4	1550	396	
						FF	157	DRS	315S4	1650	397	
160		88	17300	16.85	44800	1.05	FA	157	DRS	315M4	1680	398
		106	14300	13.96	46400	1.20	FAF	157	DRS	315M4	1740	397
	124	12200	11.92	47100	1.30	F	157	DRS	315M4	1700	396	
						FF	157	DRS	315M4	1810	397	
200	88	21700	16.85	36100	0.85	FA	157	DRS	315L4/ERF/NS	1760	398	
						FAF	157	DRS	315L4/ERF/NS	1820	397	
						F	157	DRS	315L4/ERF/NS	1780	396	
						FF	157	DRS	315L4/ERF/NS	1890	397	
	106	18000	13.96	39200	0.95	FA	157	DRS	315L4	1760	398	
	124	15300	11.92	41000	1.05	FAF	157	DRS	315L4	1820	397	
					F	157	DRS	315L4	1780	396		
					FF	157	DRS	315L4	1890	397		


10.4 F..R..DRS [Nm]

$M_{a \max}$ [Nm]	n_a [1/min]	i	$F_{Ra}^{1)}$ [N]					m [kg]			
130	0.15	8972	4500								
	0.18	7736	4500								
	0.19	7211	4500								
	0.22	6303	4500								
	0.25	5435	4500								
	0.28	4855	4500		FA	27R17	DR	63S4	13	401	
	0.33	4243	4500		FAF	27R17	DR	63S4	14	401	
	0.37	3715	4500		F	27R17	DR	63S4	14	401	
	0.43	3247	4500		FF	27R17	DR	63S4	14	401	
	0.48	2878	4500								
	0.55	2515	4500								
	0.62	2217	4500								
	0.73	1898	4500								
	0.84	1645	4500								
	0.90	1525	4500								
	1.0	1322	4500		FA	27R17	DR	63S4	13	401	
	1.2	1146	4500		FAF	27R17	DR	63S4	14	401	
	1.4	1013	4500		F	27R17	DR	63S4	13	401	
	1.6	890	4500		FF	27R17	DR	63S4	14	401	
	1.8	778	4500								
	2.0	682	4500								
	2.3	602	4500								
	2.6	520	4500								
	3.0	458	4500								
	3.5	397	4500								
	4.0	342	4500		FA	27R17	DR	63S4	13	401	
	4.6	302	4500		FAF	27R17	DR	63S4	13	401	
	5.2	266	4500		F	27R17	DR	63S4	13	401	
	5.8	236	4500		FF	27R17	DR	63S4	14	401	
	6.5	211	4500								
	7.4	186	4500								
	9.3	142	4500		FA	27R17	DR	63M4	13	401	
	11	124	4500		FAF	27R17	DR	63M4	13	401	
					F	27R17	DR	63M4	13	401	
					FF	27R17	DR	63M4	14	401	
	12	109	4500		FA	27R17	DR	63L4	13	401	
	14	96	4500		FAF	27R17	DR	63L4	14	401	
					F	27R17	DR	63L4	14	401	
					FF	27R17	DR	63L4	15	401	
	200	0.17	8193	4290							
		0.20	7064	4290							
		0.21	6585	4290							
		0.24	5756	4290							
		0.28	4963	4290		FA	37R17	DR	63S4	19	401
		0.31	4434	4290		FAF	37R17	DR	63S4	21	401
		0.36	3875	4290		F	37R17	DR	63S4	20	401
		0.41	3392	4290		FF	37R17	DR	63S4	22	401
		0.47	2965	4290							
0.53		2587	4290								
0.60		2284	4290								
0.69		1997	4290								
0.72		1929	4290								
0.82		1679	4290								
0.89		1550	4290								
1.0		1356	4290								
1.2		1180	4290								
1.3		1044	4290		FA	37R17	DR	63S4	19	401	
1.5		914	4290		FAF	37R17	DR	63S4	21	401	
1.7		808	4290		F	37R17	DR	63S4	20	401	
2.0		698	4290		FF	37R17	DR	63S4	21	401	
2.2		616	4290								
2.5		544	4290								
3.0		466	4290								
3.4		411	4290								
3.8		364	4290								

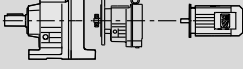



$M_{a\ max}$ [Nm]	n_a [1/min]	i	$F_{Ra}^{1)}$ [N]		m [kg]																									
200	4.2 4.8	326 285	4290 4290	FA 37R17 DR 63S4	19	401																								
				FAF 37R17 DR 63S4	20	401																								
				F 37R17 DR 63S4	19	401																								
				FF 37R17 DR 63S4	21	401																								
	5.3 6.0 7.1	250 219 186	4290 4290 4290	FA 37R17 DR 63M4	19	401																								
				FAF 37R17 DR 63M4	20	401																								
				F 37R17 DR 63M4	19	401																								
				FF 37R17 DR 63M4	21	401																								
	7.8 8.9 10	167 145 129	4290 4290 4290	FA 37R17 DR 63L4	20	401																								
				FAF 37R17 DR 63L4	21	401																								
				F 37R17 DR 63L4	20	401																								
				FF 37R17 DR 63L4	22	401																								
	400	0.11 0.13 0.14 0.16 0.19 0.21 0.24 0.27 0.31 0.36 0.40 0.46 0.52	12251 10619 9846 8534 7460 6536 5746 5022 4401 3883 3443 2976 2629	5920 5920 5920 5920 5920 5920 5920 5920 5920 5920 5920 5920 5920	FA 47R17 DR 63S4 FAF 47R17 DR 63S4 F 47R17 DR 63S4 FF 47R17 DR 63S4	24 27 25 28	401 401 401 401																							
								0.55 0.58 0.64 0.68 0.78 0.88 1.0 1.2 1.3 1.5 1.7 2.0 2.2	2519 2394 2172 2025 1770 1576 1363 1192 1061 931 822 706 619	5920 5920 5920 5920 5920 5920 5920 5920 5920 5920 5920 5920 5920	FA 47R17 DR 63S4 FAF 47R17 DR 63S4 F 47R17 DR 63S4 FF 47R17 DR 63S4	23 26 24 27	401 401 401 401																	
														2.5 2.7 3.1 3.5	524 489 427 381	5920 5920 5920 5920	FA 47R17 DR 63M4 FAF 47R17 DR 63M4 F 47R17 DR 63M4 FF 47R17 DR 63M4	23 26 24 27	401 401 401 401											
																				3.9 4.4 5.1	334 295 253	5920 5920 5920	FA 47R17 DR 63L4 FAF 47R17 DR 63L4 F 47R17 DR 63L4 FF 47R17 DR 63L4	24 26 25 28	401 401 401 401					
6.4 7.3 7.8																										217 190 178	5920 5920 5920	FA 47R17 DRS 71S4 FAF 47R17 DRS 71S4 F 47R17 DRS 71S4 FF 47R17 DRS 71S4	26 28 26 30	401 401 401 401
														600	0.09 0.10 0.11 0.12 0.14 0.16 0.17 0.20 0.23 0.26 0.30 0.34 0.39 0.44	14832 13604 12602 11252 9986 8787 7908 6913 6030 5289 4654 4060 3564 3161	9200 9200 9200 9200 9200 9200 9200 9200 9200 9200 9200 9200 9200 9200 9200	FA 57R37 DR 63S4 FAF 57R37 DR 63S4 F 57R37 DR 63S4 FF 57R37 DR 63S4	39 45 39 46											



$M_{a \max}$ [Nm]	n_a [1/min]	i	$F_{Ra}^{1)}$ [N]					m [kg]		
600	0.48	2854	9200							
	0.54	2576	9200							
	0.61	2266	9200							
	0.69	2012	9200							
	0.77	1791	9200		FA	57R37	DR	63S4	39	401
	0.85	1617	9200		FAF	57R37	DR	63S4	44	401
	0.97	1422	9200		F	57R37	DR	63S4	39	401
	1.1	1243	9200		FF	57R37	DR	63S4	45	401
	1.3	1066	9200							
	1.4	949	9200							
	1.6	856	9200							
	1.8	749	9200		FA	57R37	DR	63M4	39	401
	2.0	658	9200		FAF	57R37	DR	63M4	44	401
	2.4	549	9200		F	57R37	DR	63M4	39	401
					FF	57R37	DR	63M4	45	401
	2.7	483	9200		FA	57R37	DR	63L4	39	401
					FAF	57R37	DR	63L4	45	401
					F	57R37	DR	63L4	40	401
					FF	57R37	DR	63L4	46	401
	3.0	426	9200		FA	57R37	DR	63L4	39	401
	3.4	382	9200		FAF	57R37	DR	63L4	45	401
					F	57R37	DR	63L4	39	401
					FF	57R37	DR	63L4	46	401
	4.2	330	9200		FA	57R37	DRS	71S4	41	401
	4.6	298	9200		FAF	57R37	DRS	71S4	47	401
	5.3	262	9200		F	57R37	DRS	71S4	41	401
					FF	57R37	DRS	71S4	48	401
	6.1	226	9200		FA	57R37	DRS	71M4	42	401
	6.9	200	9200		FAF	57R37	DRS	71M4	48	401
					F	57R37	DRS	71M4	42	401
					FF	57R37	DRS	71M4	49	401
	8.2	170	9200		FA	57R37	DRS	80S4	44	401
9.2	152	9200		FAF	57R37	DRS	80S4	50	401	
10	134	9200		F	57R37	DRS	80S4	45	401	
				FF	57R37	DRS	80S4	51	401	
820	0.07	19199	10300							
	0.08	17610	10300							
	0.09	14992	10300							
	0.11	12926	10300							
	0.12	11480	10300							
	0.14	10220	10300							
	0.15	8933	10300							
	0.17	7940	10300		FA	67R37	DR	63S4	43	401
	0.19	7096	10300		FAF	67R37	DR	63S4	49	401
	0.23	6080	10300		F	67R37	DR	63S4	46	401
	0.26	5341	10300		FF	67R37	DR	63S4	52	401
	0.29	4690	10300							
	0.34	4091	10300							
	0.39	3574	10300							
	0.44	3133	10300							
	0.50	2756	10300							
	0.57	2439	10300							
	0.41	3377	10300							
	0.47	2912	10300							
	0.51	2714	10300		FA	67R37	DR	63S4	42	401
	0.58	2372	10300		FAF	67R37	DR	63S4	48	401
	0.65	2126	10300		F	67R37	DR	63S4	45	401
	0.85	1631	10300		FF	67R37	DR	63S4	51	401
	0.96	1437	10300							
	1.1	1256	10300							
	1.2	1126	10300		FA	67R37	DR	63M4	42	401
	1.3	984	10300		FAF	67R37	DR	63M4	48	401
	1.5	864	10300		F	67R37	DR	63M4	45	401
					FF	67R37	DR	63M4	51	401
	1.8	722	10300		FA	67R37	DR	63L4	43	401
	2.0	634	10300		FAF	67R37	DR	63L4	49	401
	2.4	539	10300		F	67R37	DR	63L4	46	401
				FF	67R37	DR	63L4	52	401	



$M_{a\ max}$ [Nm]	n_a [1/min]	i	$F_{Ra}^{1)}$ [N]		m [kg]		
820	0.73	1884	10300	FA 67R37 DR 63S4	43	401	
				FAF 67R37 DR 63S4	49	401	
				F 67R37 DR 63S4	46	401	
				FF 67R37 DR 63S4	52	401	
	2.6	500	10300	FA 67R37 DR 63L4	42	401	
				FAF 67R37 DR 63L4	49	401	
				F 67R37 DR 63L4	45	401	
				FF 67R37 DR 63L4	51	401	
	3.0	454	10300	FA 67R37 DRS 71S4	44	401	
				FAF 67R37 DRS 71S4	51	401	
	3.5	392	10300	F 67R37 DRS 71S4	47	401	
				FF 67R37 DRS 71S4	53	401	
	4.1	333	10300	FA 67R37 DRS 71M4	46	401	
				FAF 67R37 DRS 71M4	52	401	
				F 67R37 DRS 71M4	48	401	
				FF 67R37 DRS 71M4	54	401	
	7.0	200	10300	FA 67R37 DRS 80S4	48	401	
				FAF 67R37 DRS 80S4	54	401	
				F 67R37 DRS 80S4	51	401	
				FF 67R37 DRS 80S4	57	401	
	1500	0.07	19180	15700			
		0.08	17593	15700			
		0.09	16128	15700			
		0.09	14978	15700			
0.10		13731	15700				
0.11		12049	15700				
0.13		11035	15700				
0.14		9683	15700				
0.16		8464	15700	FA 77R37 DR 63S4	65	401	
0.18		7520	15700	FAF 77R37 DR 63S4	72	401	
0.21		6580	15700	F 77R37 DR 63S4	69	401	
0.24		5808	15700	FF 77R37 DR 63S4	80	401	
0.27		5026	15700				
0.31		4435	15700				
0.36		3832	15700				
0.46		2978	15700				
0.53		2613	15700				
0.60		2284	15700				
0.65		2029	15700	FA 77R37 DR 63M4	65	401	
				FAF 77R37 DR 63M4	72	401	
				F 77R37 DR 63M4	69	401	
				FF 77R37 DR 63M4	80	401	
0.76		1728	15700	FA 77R37 DR 63M4	65	401	
				FAF 77R37 DR 63M4	72	401	
				F 77R37 DR 63M4	69	401	
0.86		1544	15700	FF 77R37 DR 63M4	80	401	
				FA 77R37 DR 63L4	66	401	
				FAF 77R37 DR 63L4	72	401	
1.1		1200	15700	F 77R37 DR 63L4	70	401	
				FF 77R37 DR 63L4	80	401	
1.2		1053	15700				
1.5		910	15700	FA 77R37 DRS 71S4	68	401	
				FAF 77R37 DRS 71S4	74	401	
				F 77R37 DRS 71S4	72	401	
1.7		810	15700	FF 77R37 DRS 71S4	82	401	
1.9		710	15700				
2.2		615	15700	FA 77R37 DRS 71M4	69	401	
				FAF 77R37 DRS 71M4	76	401	
				F 77R37 DRS 71M4	73	401	
				FF 77R37 DRS 71M4	83	401	
2.6		538	15700				
2.9		480	15700				
3.4		413	15700	FA 77R37 DRS 80S4	71	401	
	FAF 77R37 DRS 80S4			78	401		
	F 77R37 DRS 80S4			75	401		
	FF 77R37 DRS 80S4			86	401		
3.8	367	15700					
4.3	323	15700					



$M_{a\ max}$ [Nm]	n_a [1/min]	i	$F_{Ra}^{1)}$ [N]					m [kg]	
3000	0.06	23042	19800						
	0.07	20462	19800						
	0.08	18238	19800						
	0.09	15877	19800						
	0.10	14099	19800						
	0.11	12205	19800	FA	87R57	DR	63S4	120	401
	0.13	10433	19800	FAF	87R57	DR	63S4	130	401
	0.15	9381	19800	F	87R57	DR	63S4	125	401
	0.17	8142	19800	FF	87R57	DR	63S4	140	401
	0.19	7100	19800						
	0.22	6273	19800						
	0.25	5510	19800						
	0.28	4954	19800						
	0.31	4245	19800	FA	87R57	DR	63M4	120	401
	0.35	3721	19800	FAF	87R57	DR	63M4	130	401
				F	87R57	DR	63M4	125	401
				FF	87R57	DR	63M4	140	401
	0.41	3244	19800	FA	87R57	DR	63M4	115	401
	0.46	2881	19800	FAF	87R57	DR	63M4	130	401
				F	87R57	DR	63M4	125	401
				FF	87R57	DR	63M4	140	401
	0.50	2576	19800	FA	87R57	DR	63L4	120	401
	0.59	2199	19800	FAF	87R57	DR	63L4	130	401
	0.67	1930	19800	F	87R57	DR	63L4	125	401
				FF	87R57	DR	63L4	140	401
	0.81	1709	19800	FA	87R57	DRS	71S4	120	401
	0.92	1493	19800	FAF	87R57	DRS	71S4	130	401
				F	87R57	DRS	71S4	125	401
				FF	87R57	DRS	71S4	140	401
	1.1	1300	19800	FA	87R57	DRS	71M4	120	401
1.2	1148	19800	FAF	87R57	DRS	71M4	135	401	
1.4	1010	19800	F	87R57	DRS	71M4	125	401	
1.6	887	19800	FF	87R57	DRS	71M4	140	401	
1.8	780	19800	FA	87R57	DRS	80S4	125	401	
2.1	674	19800	FAF	87R57	DRS	80S4	135	401	
			F	87R57	DRS	80S4	130	401	
			FF	87R57	DRS	80S4	145	401	
2.3	609	19800	FA	87R57	DRS	80M4	125	401	
2.7	515	19800	FAF	87R57	DRS	80M4	140	401	
3.1	452	19800	F	87R57	DRS	80M4	130	401	
			FF	87R57	DRS	80M4	145	401	
4.0	345	19800	FA	87R57	DRS	90M4	130	401	
			FAF	87R57	DRS	90M4	145	401	
			F	87R57	DRS	90M4	135	401	
			FF	87R57	DRS	90M4	150	401	
4300	0.07	20813	29900						
	0.08	18119	29900						
	0.09	15472	29900						
	0.10	14022	29900						
	0.11	12324	29900	FA	97R57	DR	63S4	185	401
	0.13	10838	29900	FAF	97R57	DR	63S4	205	401
	0.14	9576	29900	F	97R57	DR	63S4	190	401
	0.17	8318	29900	FF	97R57	DR	63S4	225	401
	0.19	7328	29900						
	0.20	6469	29900	FA	97R57	DR	63M4	185	401
	0.24	5615	29900	FAF	97R57	DR	63M4	205	401
	0.27	4961	29900	F	97R57	DR	63M4	190	401
	0.30	4333	29900	FF	97R57	DR	63M4	225	401
	0.34	3906	29900	FA	97R57	DR	63M4	180	401
				FAF	97R57	DR	63M4	205	401
				F	97R57	DR	63M4	190	401
				FF	97R57	DR	63M4	225	401
	0.39	3352	29900	FA	97R57	DR	63L4	185	401
0.45	2907	29900	FAF	97R57	DR	63L4	205	401	
			F	97R57	DR	63L4	190	401	
			FF	97R57	DR	63L4	225	401	



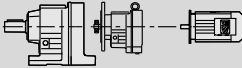

Kalasanati.com



$M_{a \max}$ [Nm]	n_a [1/min]	i	$F_{Ra}^{1)}$ [N]					m [kg]		
4300	0.54 0.61 0.70	2553	29900	FA	97R57	DRS	71S4	185	401	
		2245	29900	FAF	97R57	DRS	71S4	205	401	
		1970	29900	F	97R57	DRS	71S4	190	401	
			29900	FF	97R57	DRS	71S4	225	401	
	0.80 0.90 1.0	1722	29900	FA	97R57	DRS	71M4	185	401	
		1527	29900	FAF	97R57	DRS	71M4	210	401	
		1327	29900	F	97R57	DRS	71M4	195	401	
			29900	FF	97R57	DRS	71M4	225	401	
	1.2 1.4	1171	29900	FA	97R57	DRS	80S4	190	401	
		1022	29900	FAF	97R57	DRS	80S4	210	401	
			29900	F	97R57	DRS	80S4	195	401	
			29900	FF	97R57	DRS	80S4	230	401	
	1.6 1.8 2.0	898	29900	FA	97R57	DRS	80M4	190	401	
		784	29900	FAF	97R57	DRS	80M4	215	401	
		690	29900	F	97R57	DRS	80M4	200	401	
			29900	FF	97R57	DRS	80M4	230	401	
	2.3 2.6 3.0	605	29900	FA	97R57	DRS	90M4	195	401	
		529	29900	FAF	97R57	DRS	90M4	220	401	
		467	29900	F	97R57	DRS	90M4	205	401	
			29900	FF	97R57	DRS	90M4	235	401	
	3.5 3.8	406	29900	FA	97R57	DRS	90L4	200	401	
		363	29900	FAF	97R57	DRS	90L4	220	401	
			29900	F	97R57	DRS	90L4	205	401	
			29900	FF	97R57	DRS	90L4	240	401	
	4.9 5.7	285	29900	FA	97R57	DRS	100M4	205	401	
		245	29900	FAF	97R57	DRS	100M4	225	401	
			29900	F	97R57	DRS	100M4	210	401	
			29900	FF	97R57	DRS	100M4	245	401	
	7680	0.05 0.06 0.07 0.08 0.09	25375	49800	FA	107R77	DR	63S4	275	401
			21652	49800	FAF	107R77	DR	63S4	295	401
			18933	49800	F	107R77	DR	63S4	290	401
			16888	49800	FF	107R77	DR	63S4	320	401
			14767	49800						
		0.12 0.13 0.15 0.17	11348	49800	FA	107R77	DR	63M4	275	401
			10039	49800	FAF	107R77	DR	63M4	295	401
			8548	49800	F	107R77	DR	63M4	290	401
			7674	49800	FF	107R77	DR	63M4	320	401
0.19 0.22 0.25		6767	49800	FA	107R77	DR	63L4	275	401	
		5954	49800	FAF	107R77	DR	63L4	295	401	
		5223	49800	F	107R77	DR	63L4	290	401	
			49800	FF	107R77	DR	63L4	320	401	
0.30 0.39		4567	49800	FA	107R77	DRS	71S4	275	401	
		3521	49800	FAF	107R77	DRS	71S4	300	401	
			49800	F	107R77	DRS	71S4	295	401	
			49800	FF	107R77	DRS	71S4	320	401	
0.45 0.50 0.58		3037	49800	FA	107R77	DRS	71M4	275	401	
		2756	49800	FAF	107R77	DRS	71M4	300	401	
		2369	49800	F	107R77	DRS	71M4	295	401	
			49800	FF	107R77	DRS	71M4	320	401	
0.68 0.77		2068	49800	FA	107R77	DRS	80S4	280	401	
		1826	49800	FAF	107R77	DRS	80S4	300	401	
			49800	F	107R77	DRS	80S4	295	401	
			49800	FF	107R77	DRS	80S4	325	401	
0.88 1.0 1.1		1597	49800	FA	107R77	DRS	80M4	280	401	
		1401	49800	FAF	107R77	DRS	80M4	305	401	
		1243	49800	F	107R77	DRS	80M4	300	401	
			49800	FF	107R77	DRS	80M4	325	401	
1.3 1.5 1.7		1087	49800	FA	107R77	DRS	90M4	285	401	
		950	49800	FAF	107R77	DRS	90M4	305	401	
		834	49800	F	107R77	DRS	90M4	305	401	
			49800	FF	107R77	DRS	90M4	330	401	
1.9 2.2 2.5		736	49800	FA	107R77	DRS	90L4	290	401	
		640	49800	FAF	107R77	DRS	90L4	310	401	
		560	49800	F	107R77	DRS	90L4	305	401	
			49800	FF	107R77	DRS	90L4	330	401	

10



$M_{a\ max}$ [Nm]	n_a [1/min]	i	$F_{Ra}^{1)}$ [N]		m [kg]	
7680	2.9 3.2	489 436	49800 49800	FA 107R77 DRS 100M4	295	401
				FAF 107R77 DRS 100M4	315	401
				F 107R77 DRS 100M4	310	401
				FF 107R77 DRS 100M4	335	401
	3.9 4.3	370 333	49800 49800	FA 107R77 DRS 100LC4	300	401
				FAF 107R77 DRS 100LC4	320	401
				F 107R77 DRS 100LC4	315	401
				FF 107R77 DRS 100LC4	340	401
12000	0.06 0.06	24478 22323	90000 90000	FA 127R77 DR 63S4	425	401
				FAF 127R77 DR 63S4	465	401
				F 127R77 DR 63S4	460	401
				FF 127R77 DR 63S4	510	401
	0.07 0.08 0.09 0.10 0.11	19048 16656 14722 12912 11656	90000 90000 90000 90000 90000	FA 127R77 DR 63M4	425	401
				FAF 127R77 DR 63M4	465	401
				F 127R77 DR 63M4	460	401
				FF 127R77 DR 63M4	510	401
				FA 127R77 DR 63L4	425	401
	0.13 0.15	10191 8831	90000 90000	FAF 127R77 DR 63L4	465	401
				F 127R77 DR 63L4	465	401
				FF 127R77 DR 63L4	510	401
				FA 127R77 DRS 71S4	430	401
	0.18 0.21 0.23	7643 6715 5925	90000 90000 90000	FAF 127R77 DRS 71S4	465	401
				F 127R77 DRS 71S4	465	401
				FF 127R77 DRS 71S4	510	401
				FA 127R77 DRS 71M4	430	401
	0.27 0.30 0.35	5153 4533 3926	90000 90000 90000	FAF 127R77 DRS 71M4	465	401
				F 127R77 DRS 71M4	465	401
				FF 127R77 DRS 71M4	510	401
				FA 127R77 DRS 80S4	430	401
	0.41 0.46	3454 3031	90000 90000	FAF 127R77 DRS 80S4	470	401
				F 127R77 DRS 80S4	470	401
				FF 127R77 DRS 80S4	510	401
				FA 127R77 DRS 80S4	430	401
	0.52	2672	90000	FAF 127R77 DRS 80S4	470	401
				F 127R77 DRS 80S4	465	401
				FF 127R77 DRS 80S4	510	401
				FA 127R77 DRS 80M4	435	401
	0.60 0.69 0.79	2357 2038 1784	90000 90000 90000	FAF 127R77 DRS 80M4	470	401
				F 127R77 DRS 80M4	470	401
				FF 127R77 DRS 80M4	510	401
				FA 127R77 DRS 90M4	435	401
	0.87 1.0	1606 1390	90000 90000	FAF 127R77 DRS 90M4	475	401
				F 127R77 DRS 90M4	475	401
				FF 127R77 DRS 90M4	520	401
				FA 127R77 DRS 90L4	440	401
	1.2 1.3 1.5	1220 1077 930	90000 90000 90000	FAF 127R77 DRS 90L4	475	401
				F 127R77 DRS 90L4	475	401
				FF 127R77 DRS 90L4	520	401
				FA 127R77 DRS 100M4	445	401
	1.7 1.9 2.2	820 727 648	90000 90000 90000	FAF 127R77 DRS 100M4	480	401
				F 127R77 DRS 100M4	480	401
				FF 127R77 DRS 100M4	530	401
				FA 127R77 DRS 100LC4	450	401
	2.6 2.9	549 495	90000 90000	FAF 127R77 DRS 100LC4	485	401
				F 127R77 DRS 100LC4	485	401
FF 127R77 DRS 100LC4				530	401	
FA 127R77 DRS 132S4				460	401	
3.4 3.8	428 376	90000 90000	FAF 127R77 DRS 132S4	500	401	
			F 127R77 DRS 132S4	500	401	
			FF 127R77 DRS 132S4	540	401	
			FA 127R87 DRS 132S4	485	401	
3.0 3.5 3.9	483 418 374	90000 90000 90000	FAF 127R87 DRS 132S4	520	401	
			F 127R87 DRS 132S4	520	401	
			FF 127R87 DRS 132S4	560	401	



$M_{a\ max}$ [Nm]	n_a [1/min]	i	$F_{Ra}^{1)}$ [N]					m [kg]		
12000	4.6 4.9	312	90000	FA	127R87	DRS	132M4	495	401	
		293	90000	FAF	127R87	DRS	132M4	530	401	
				F	127R87	DRS	132M4	530	401	
				FF	127R87	DRS	132M4	580	401	
	5.7 6.6	259	90000	FA	127R87	DRS	132MC4	500	401	
		223	90000	FAF	127R87	DRS	132MC4	540	401	
				F	127R87	DRS	132MC4	540	401	
				FF	127R87	DRS	132MC4	580	401	
	7.4	198	90000	FA	127R87	DRS	160M4	520	401	
				FAF	127R87	DRS	160M4	560	401	
				F	127R87	DRS	160M4	560	401	
				FF	127R87	DRS	160M4	600	401	
18000	0.04 0.05 0.06 0.07 0.08 0.08 0.10 0.11	31434	100300							
		26173	100300							
		23464	100300	FA	157R97	DRS	71M4	770	401	
		20212	100300	FAF	157R97	DRS	71M4	830	401	
		17984	100300	F	157R97	DRS	71M4	790	401	
		16358	100300	FF	157R97	DRS	71M4	900	401	
		13751	100300							
		12235	100300							
		0.14 0.16 0.17	10033	100300	FA	157R97	DRS	80S4	770	401
			9021	100300	FAF	157R97	DRS	80S4	830	401
			8026	100300	F	157R97	DRS	80S4	790	401
					FF	157R97	DRS	80S4	900	401
	0.20 0.22	7075	100300	FA	157R97	DRS	71M4	770	401	
		6295	100300	FAF	157R97	DRS	71M4	830	401	
				F	157R97	DRS	71M4	790	401	
				FF	157R97	DRS	71M4	900	401	
	0.26 0.29	5404	100300	FA	157R97	DRS	80S4	770	401	
		4831	100300	FAF	157R97	DRS	80S4	830	401	
				F	157R97	DRS	80S4	790	401	
				FF	157R97	DRS	80S4	900	401	
	0.34	4130	100300	FA	157R97	DRS	80M4	770	401	
				FAF	157R97	DRS	80M4	830	401	
				F	157R97	DRS	80M4	790	401	
				FF	157R97	DRS	80M4	900	401	
	0.39 0.44	3607	100300	FA	157R97	DRS	90L4	780	401	
		3210	100300	FAF	157R97	DRS	90L4	840	401	
				F	157R97	DRS	90L4	800	401	
				FF	157R97	DRS	90L4	910	401	
	0.51	2780	100300	FA	157R97	DRS	80M4	770	401	
				FAF	157R97	DRS	80M4	830	401	
				F	157R97	DRS	80M4	790	401	
				FF	157R97	DRS	80M4	900	401	
	0.97	1441	100300	FA	157R97	DRS	90L4	780	401	
				FAF	157R97	DRS	90L4	840	401	
				F	157R97	DRS	90L4	800	401	
				FF	157R97	DRS	90L4	910	401	
	0.57 0.64	2427	100300	FA	157R97	DRS	90M4	770	401	
		2185	100300	FAF	157R97	DRS	90M4	830	401	
				F	157R97	DRS	90M4	790	401	
				FF	157R97	DRS	90M4	900	401	
	0.72 0.84	1944	100300	FA	157R97	DRS	90L4	780	401	
		1674	100300	FAF	157R97	DRS	90L4	830	401	
				F	157R97	DRS	90L4	800	401	
				FF	157R97	DRS	90L4	900	401	
	1.1 1.2	1308	100300	FA	157R97	DRS	100M4	780	401	
		1169	100300	FAF	157R97	DRS	100M4	840	401	
				F	157R97	DRS	100M4	800	401	
				FF	157R97	DRS	100M4	910	401	
1.5 1.7 1.9	953	100300	FA	157R97	DRS	100LC4	790	401		
	845	100300	FAF	157R97	DRS	100LC4	840	401		
	764	100300	F	157R97	DRS	100LC4	810	401		
			FF	157R97	DRS	100LC4	910	401		
2.1 2.5	680	100300	FA	157R97	DRS	132S4	800	401		
	576	100300	FAF	157R97	DRS	132S4	860	401		
			F	157R97	DRS	132S4	820	401		
			FF	157R97	DRS	132S4	930	401		

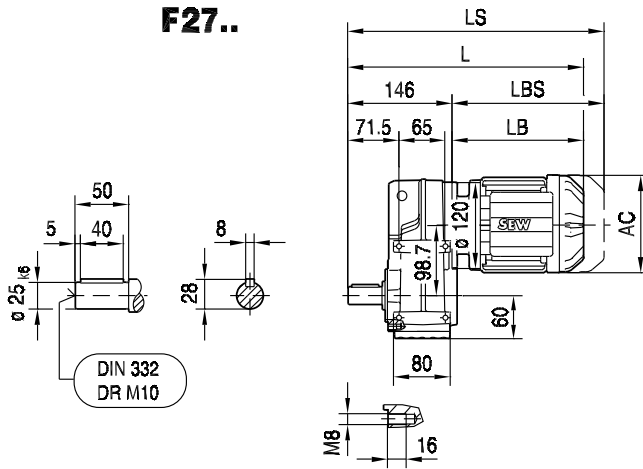


$M_{a \max}$ [Nm]	n_a [1/min]	i	$F_{Ra}^{1)}$ [N]					m [kg]	
18000	2.9	503	100300	FA	157R97	DRS	132M4	810	401
				FAF	157R97	DRS	132M4	870	401
				F	157R97	DRS	132M4	830	401
				FF	157R97	DRS	132M4	940	401
	4.2	353	100300	FA	157R97	DRS	132MC4	810	401
				FAF	157R97	DRS	132MC4	870	401
				F	157R97	DRS	132MC4	840	401
				FF	157R97	DRS	132MC4	940	401
	4.8	302	100300	FA	157R97	DRS	160M4	840	401
				FAF	157R97	DRS	160M4	890	401
				F	157R97	DRS	160M4	860	401
				FF	157R97	DRS	160M4	960	401
	5.3	273	100300	FA	157R97	DRS	160MC4	840	401
				FAF	157R97	DRS	160MC4	900	401
				F	157R97	DRS	160MC4	860	401
				FF	157R97	DRS	160MC4	970	401
	6.3	232	100300	FA	157R97	DRS	160M4	880	401
				FAF	157R97	DRS	160M4	940	401
				F	157R97	DRS	160M4	910	401
				FF	157R97	DRS	160M4	1010	401
	7.2	202	100300	FA	157R97	DRS	180M4	880	401
				FAF	157R97	DRS	180M4	940	401
				F	157R97	DRS	180M4	910	401
				FF	157R97	DRS	180M4	1010	401
7.4	197	100300	FA	157R97	DRS	180M4	880	401	
			FAF	157R97	DRS	180M4	940	401	
			F	157R97	DRS	180M4	910	401	
			FF	157R97	DRS	180M4	1010	401	

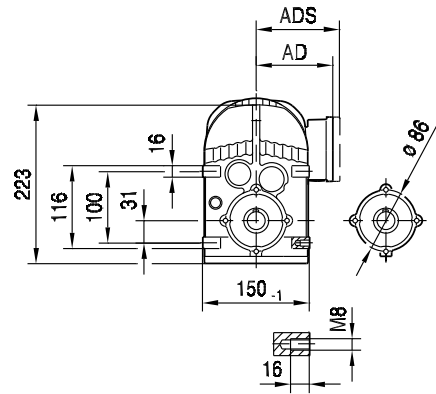


10.5 F..DRS [mm]

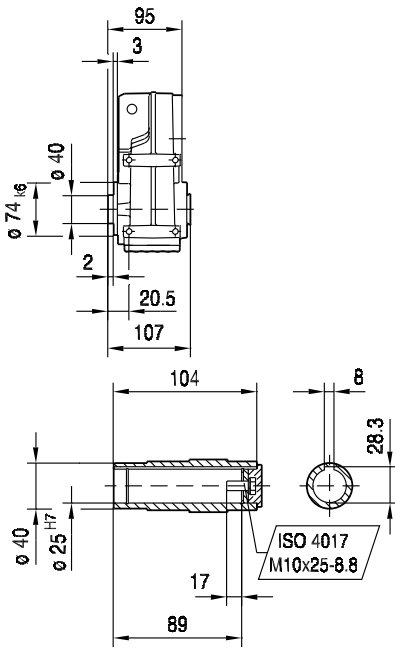
F27..



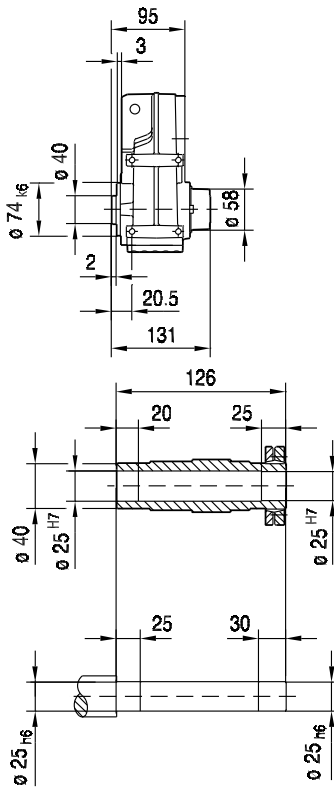
42 067 00 06^L



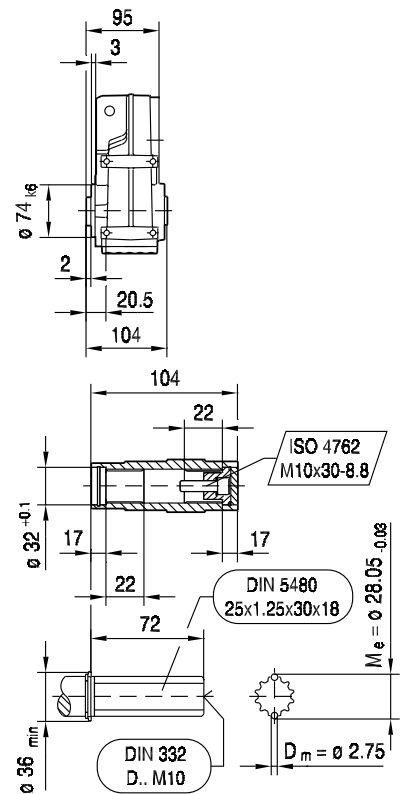
FA27B..



FH27B..
max. DR71..



FV27B..

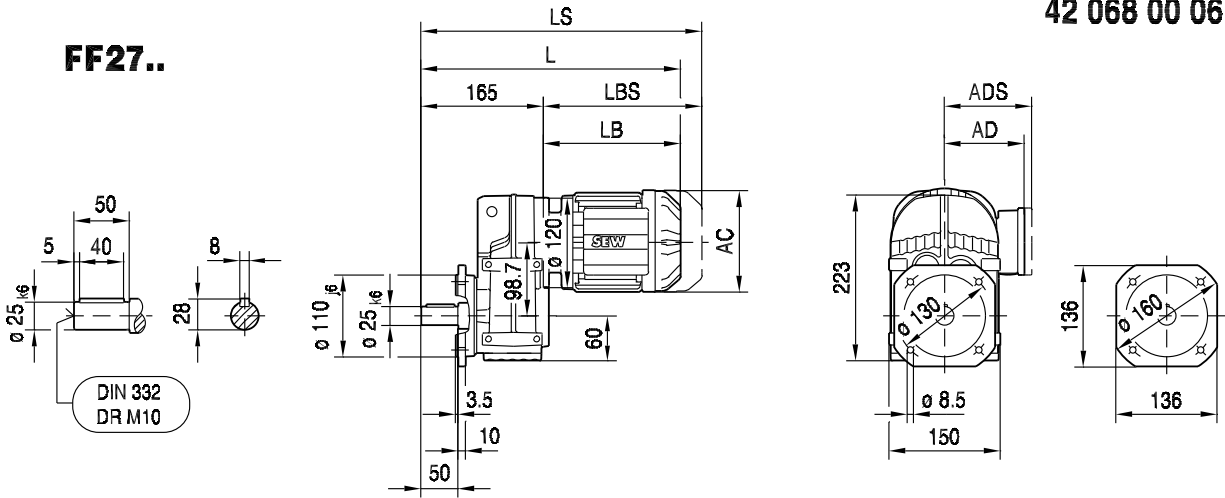


(→ 131)	DR63..	DR71S	DR71M	DR80S	DR80M	DR90M		
AC	132	139	139	156	156	179		
AD	105	119	119	128	128	140		
ADS	105	129	129	139	139	150		
L	337	349	374	383	414	418		
LS	392	417	442	464	495	511		
LB	191	203	228	237	268	272		
LBS	246	271	296	318	349	365		

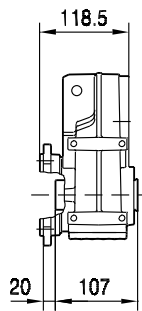


42 068 00 06

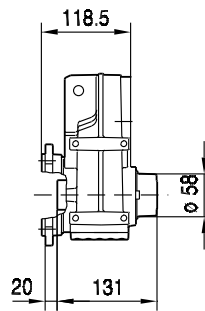
FF27..



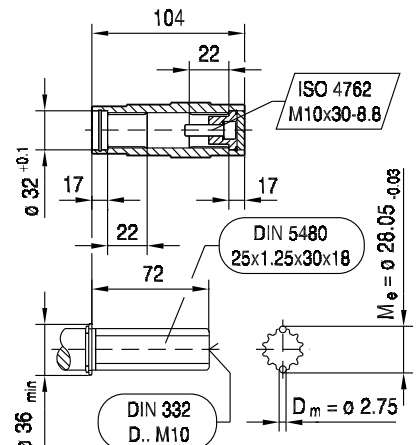
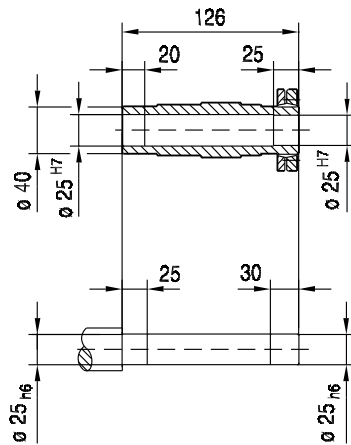
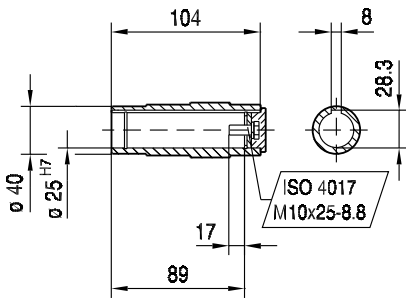
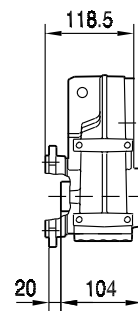
FAF27..



FHF27..
max. DR71..



FVF27..

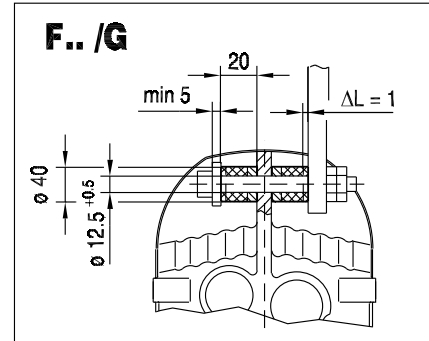
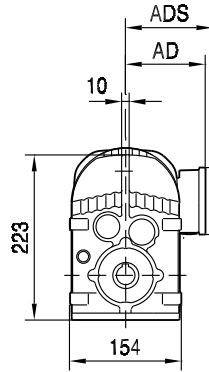
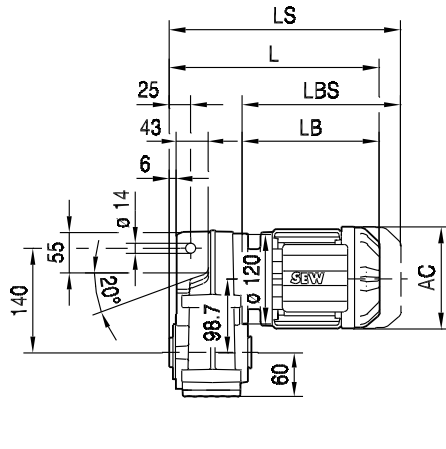


(→) 131	DR63..	DR71S	DR71M	DR80S	DR80M	DR90M		
AC	132	139	139	156	156	179		
AD	105	119	119	128	128	140		
ADS	105	129	129	139	139	150		
L	356	368	393	402	433	437		
LS	411	436	461	483	514	530		
LB	191	203	228	237	268	272		
LBS	246	271	296	318	349	365		



FA27..

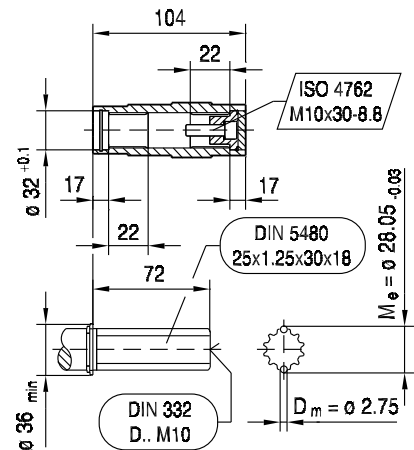
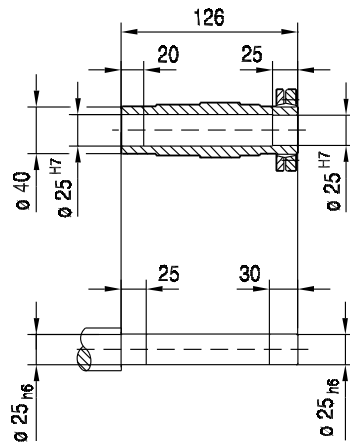
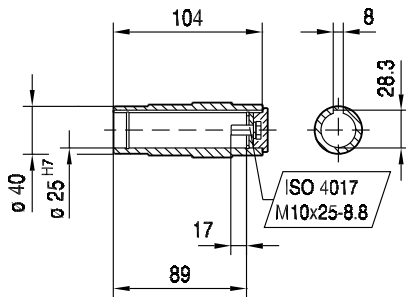
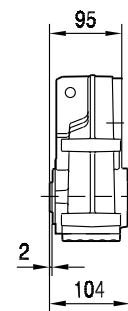
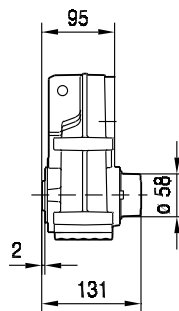
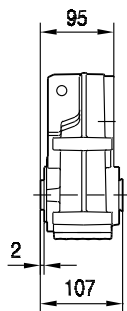
42 069 00 06^L



FA27..

FH27..
max. DR71..

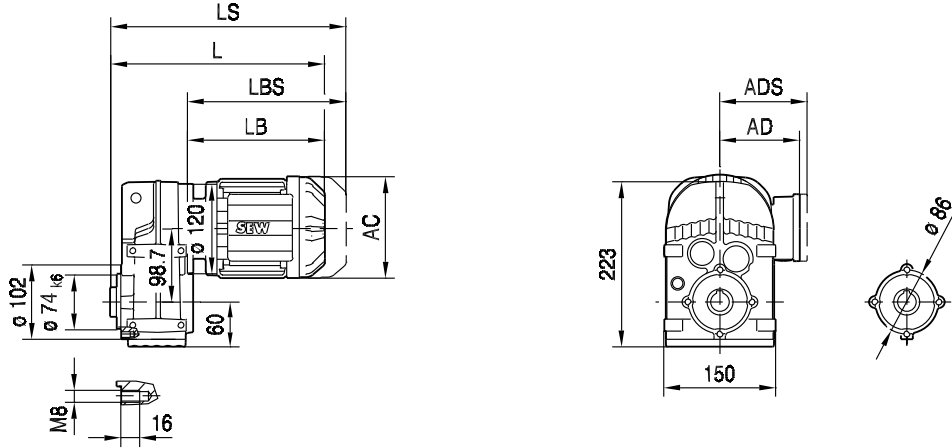
FV27..



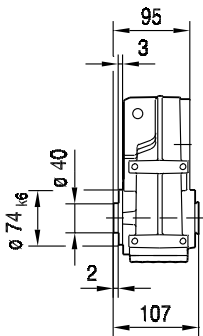
(→ 131)	DR63..	DR71S	DR71M	DR80S	DR80M	DR90M		
AC	132	139	139	156	156	179		
AD	105	119	119	128	128	140		
ADS	105	129	129	139	139	150		
L	286	298	323	332	363	367		
LS	341	366	391	413	444	460		
LB	191	203	228	237	268	272		
LBS	246	271	296	318	349	365		



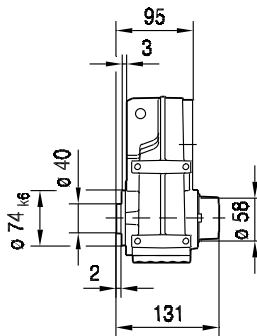
FAZ27..



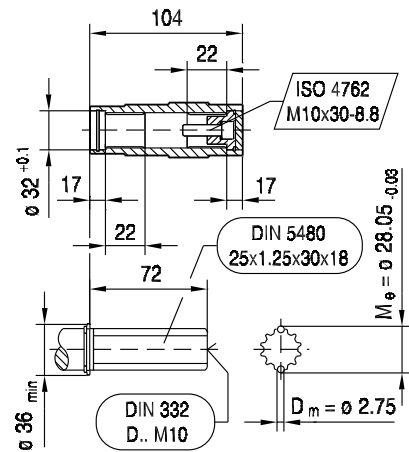
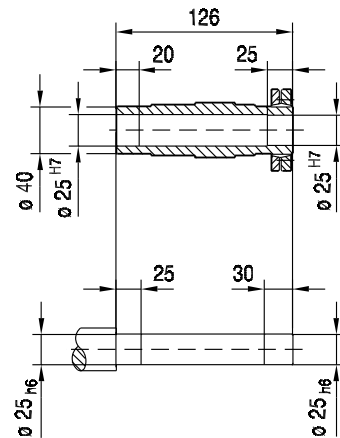
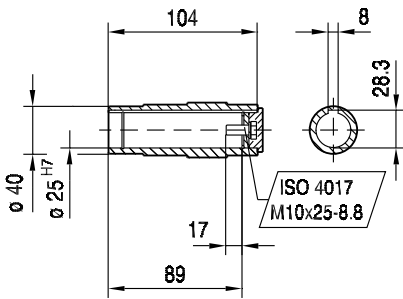
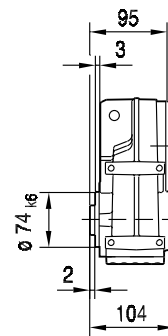
FAZ27..



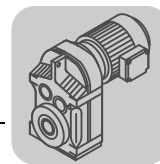
FHZ27..
max. DR71..



FVZ27..

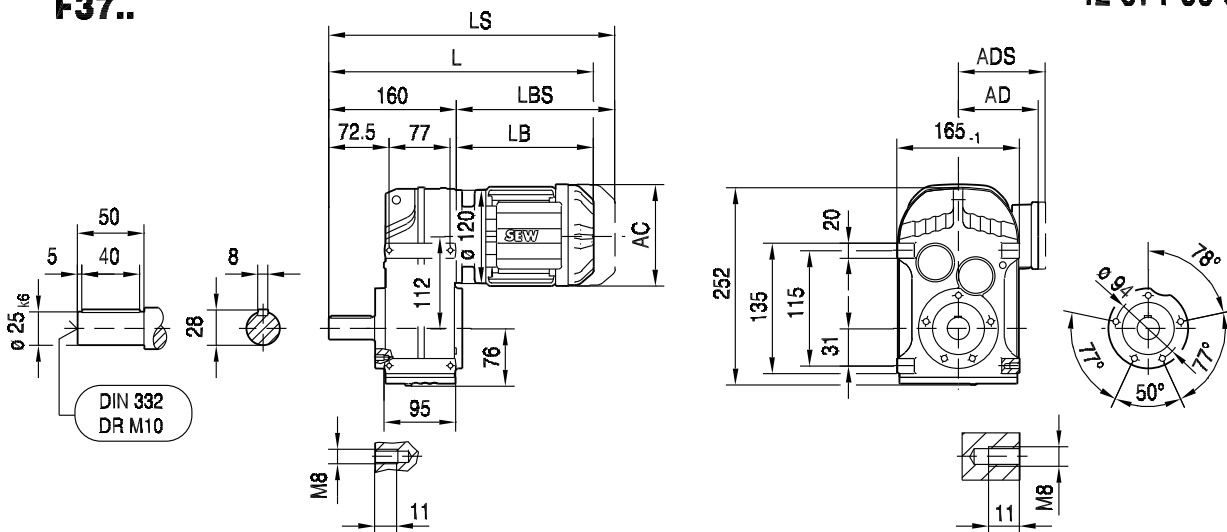


(→ 131)	DR63..	DR71S	DR71M	DR80S	DR80M	DR90M		
AC	132	139	139	156	156	179		
AD	105	119	119	128	128	140		
ADS	105	129	129	139	139	150		
L	286	298	323	332	363	367		
LS	341	366	391	413	444	460		
LB	191	203	228	237	268	272		
LBS	246	271	296	318	349	365		

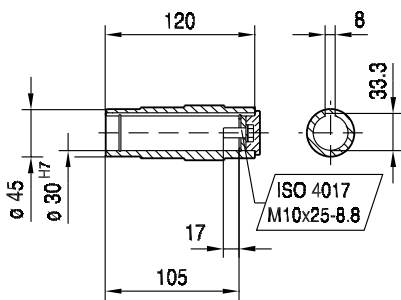
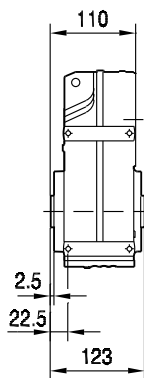


42 071 00 06^L

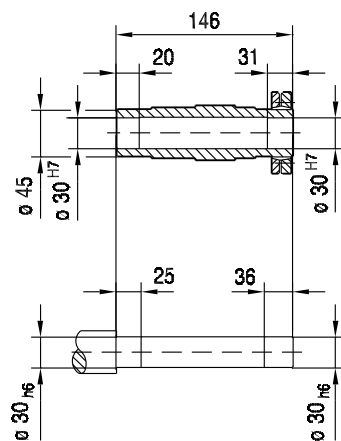
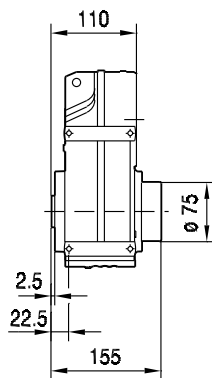
F37..



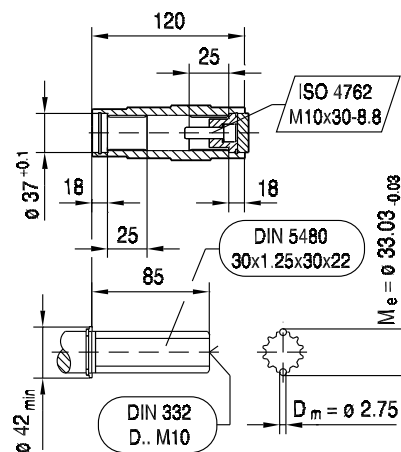
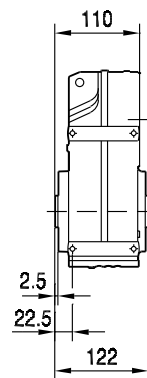
FA37B..



FH37B..



FV37B..

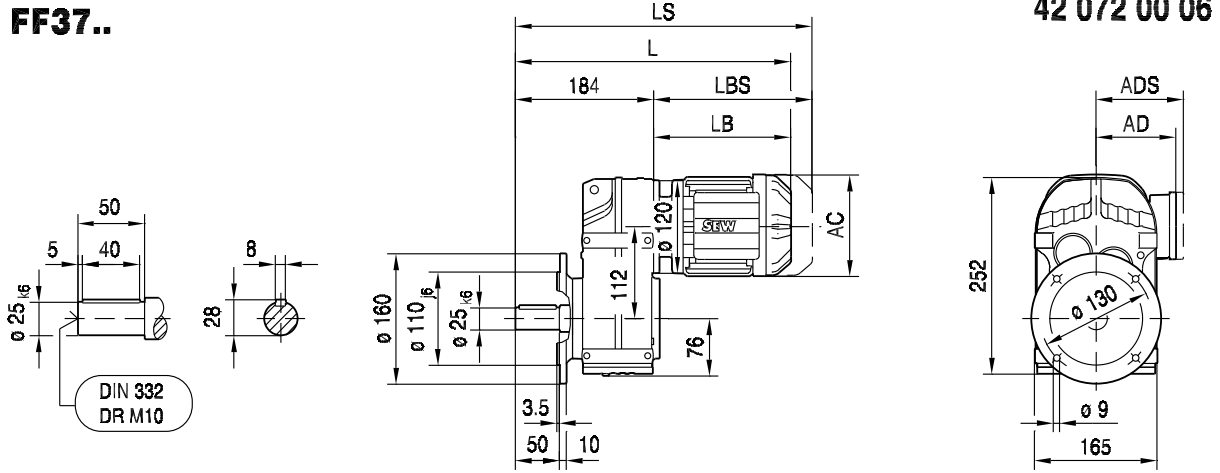


10

(→ 131)	DR63..	DR71S	DR71M	DR80S	DR80M	DR90M	DR90L	DR100M
AC	132	139	139	156	156	179	179	197
AD	105	119	119	128	128	140	140	157
ADS	105	129	129	139	139	150	150	158
L	351	363	388	397	428	432	452	482
LS	406	431	456	478	509	525	545	575
LB	191	203	228	237	268	272	292	322
LBS	246	271	296	318	349	365	385	415

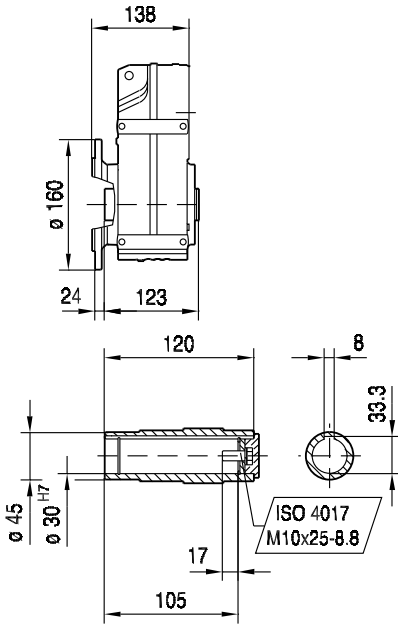


FF37..

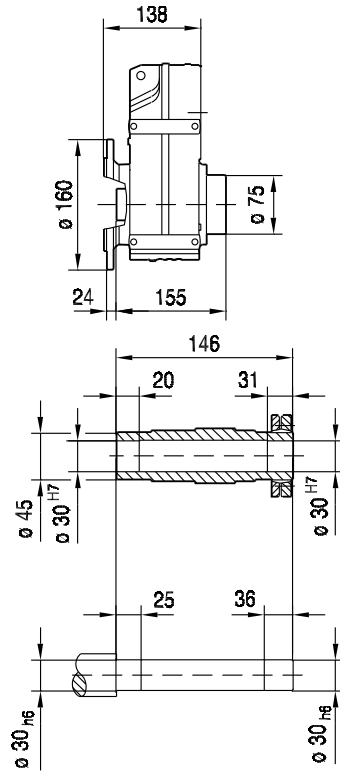


42 072 00 06

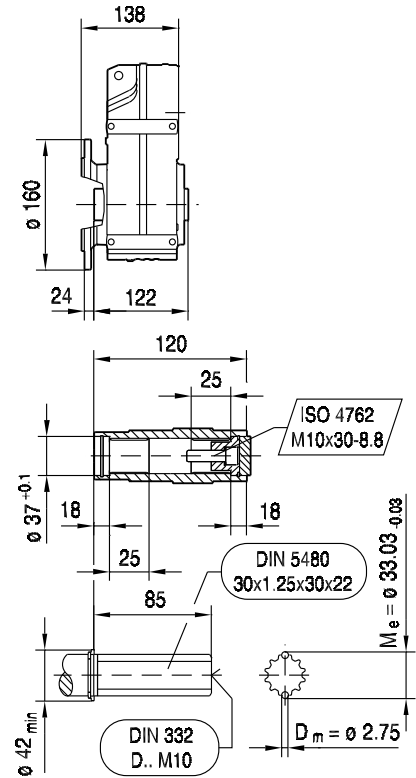
FAF37..



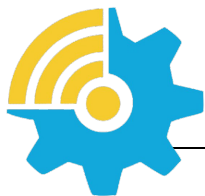
FHF37..



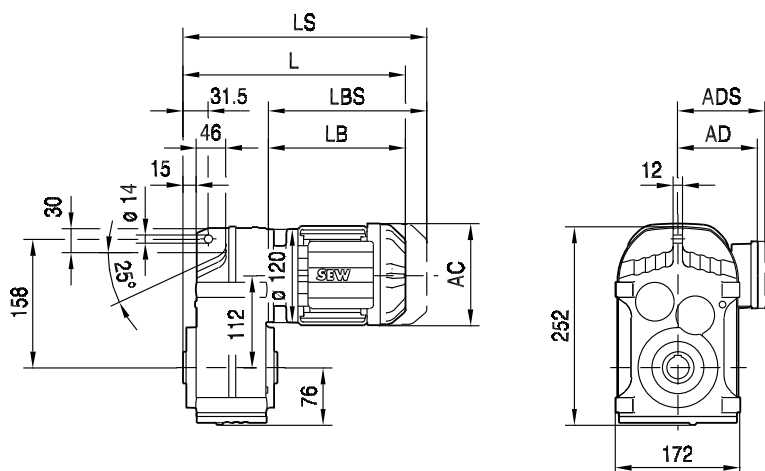
FVF37..



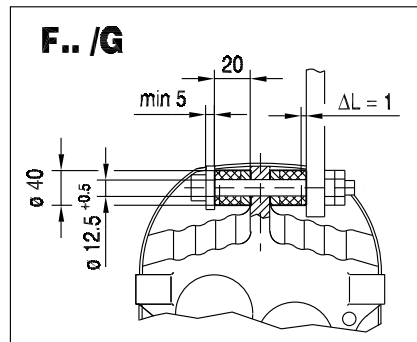
(→ 131)	DR63..	DR71S	DR71M	DR80S	DR80M	DR90M	DR90L	DR100M
AC	132	139	139	156	156	179	179	197
AD	105	119	119	128	128	140	140	157
ADS	105	129	129	139	139	150	150	158
L	375	387	412	421	452	456	476	506
LS	430	455	480	502	533	549	569	599
LB	191	203	228	237	268	272	292	322
LBS	246	271	296	318	349	365	385	415



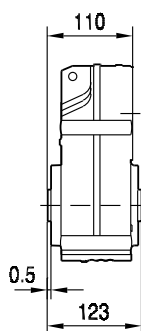
FA37..



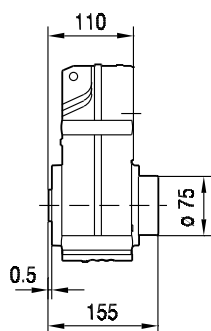
42 073 00 06



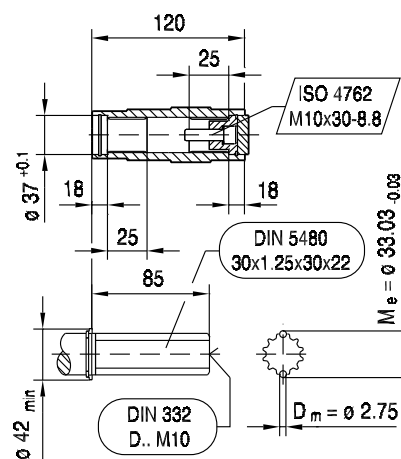
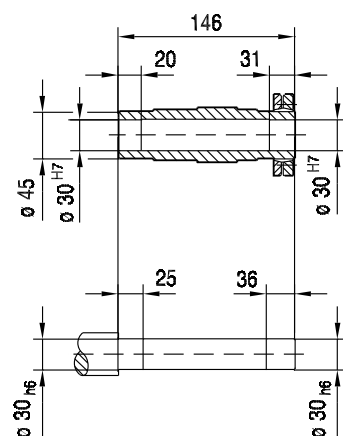
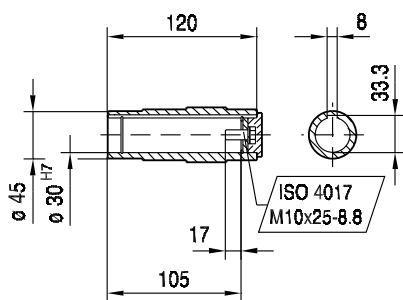
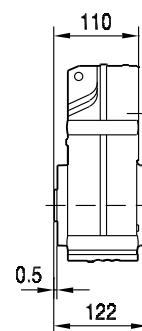
FA37..



FH37..



FV37..

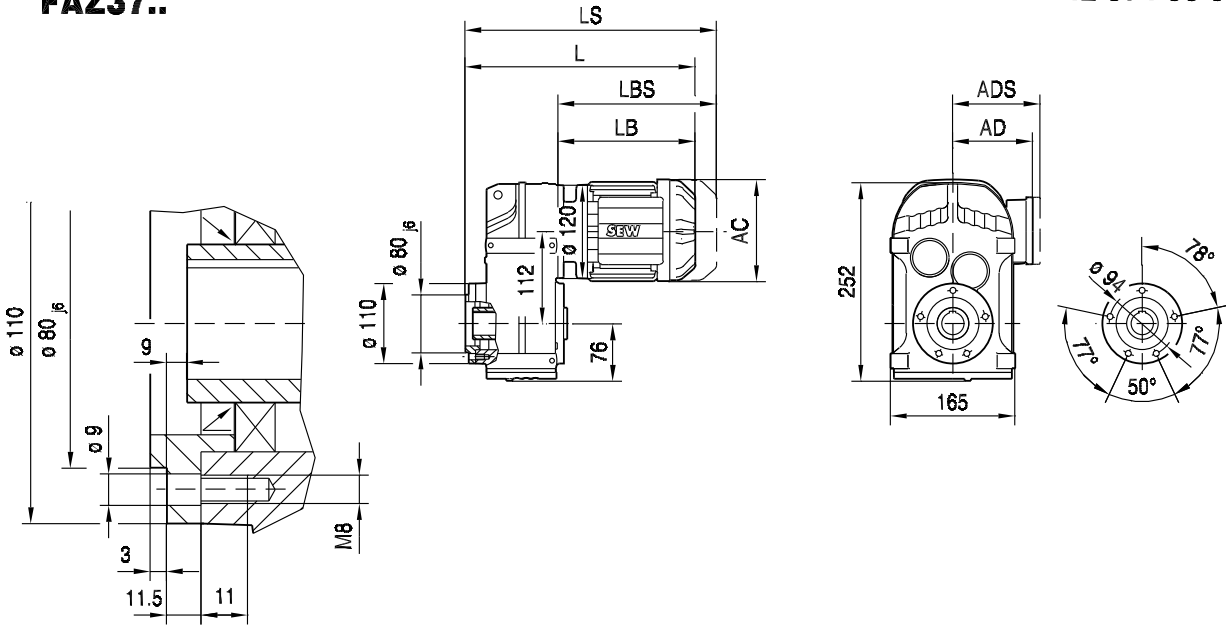


10

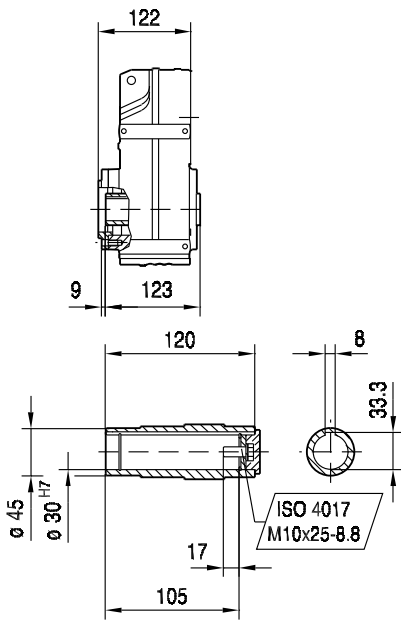
(→ 131)	DR63..	DR71S	DR71M	DR80S	DR80M	DR90M	DR90L	DR100M
AC	132	139	139	156	156	179	179	197
AD	105	119	119	128	128	140	140	157
ADS	105	129	129	139	139	150	150	158
L	301	313	338	347	378	382	402	432
LS	356	381	406	428	459	475	495	525
LB	191	203	228	237	268	272	292	322
LBS	246	271	296	318	349	365	385	415



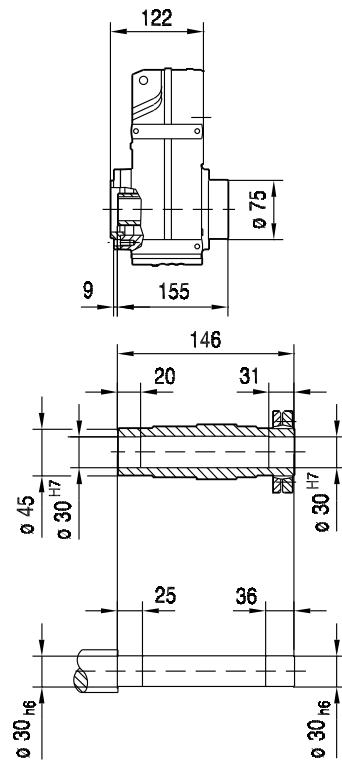
FAZ37..



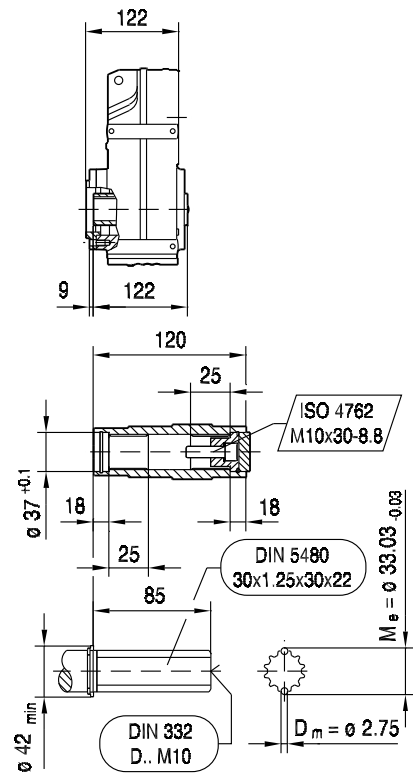
FAZ37..



FHZ37..



FVZ37..

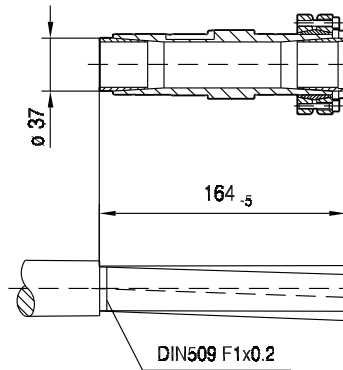
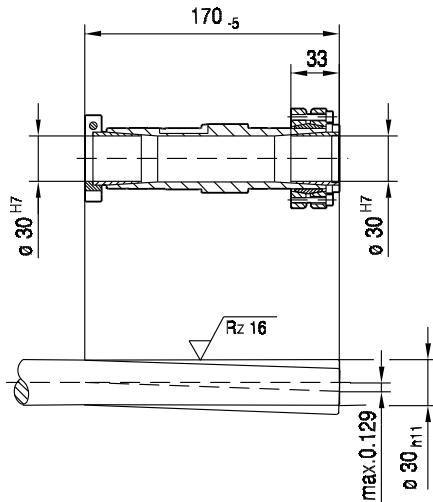
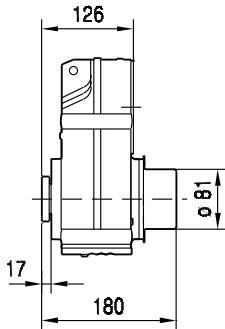
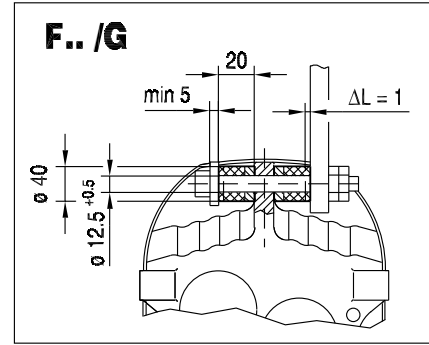
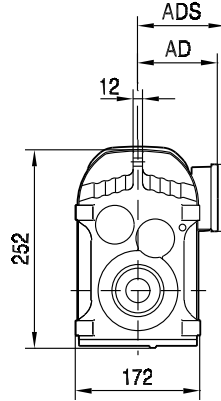
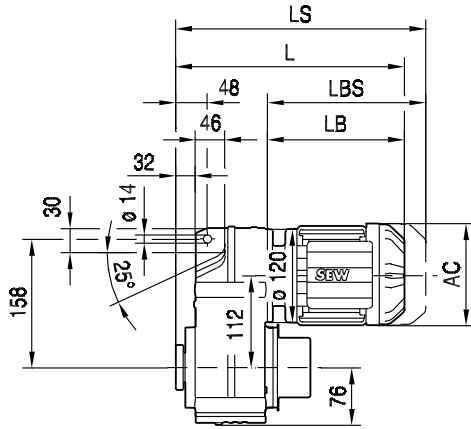


(→ 131)	DR63..	DR71S	DR71M	DR80S	DR80M	DR90M	DR90L	DR100M
AC	132	139	139	156	156	179	179	197
AD	105	119	119	128	128	140	140	157
ADS	105	129	129	139	139	150	150	158
L	313	325	350	359	390	394	414	444
LS	368	393	418	440	471	487	507	537
LB	191	203	228	237	268	272	292	322
LBS	246	271	296	318	349	365	385	415



FT37..

42 075 00 06^L

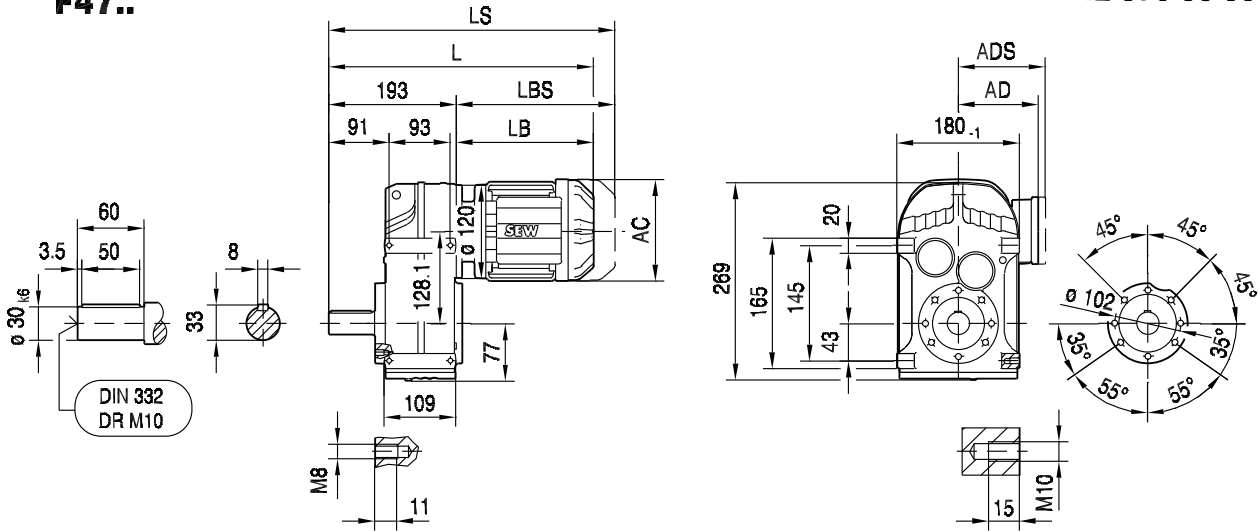


(→ 131)	DR63..	DR71S	DR71M	DR80S	DR80M	DR90M	DR90L	DR100M
AC	132	139	139	156	156	179	179	197
AD	105	119	119	128	128	140	140	157
ADS	105	129	129	139	139	150	150	158
L	317	329	354	363	394	398	418	448
LS	372	397	422	444	475	491	511	541
LB	191	203	228	237	268	272	292	322
LBS	246	271	296	318	349	365	385	415

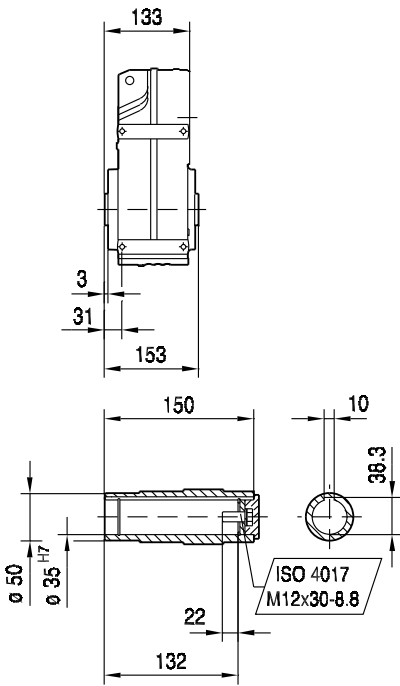


42 076 00 06

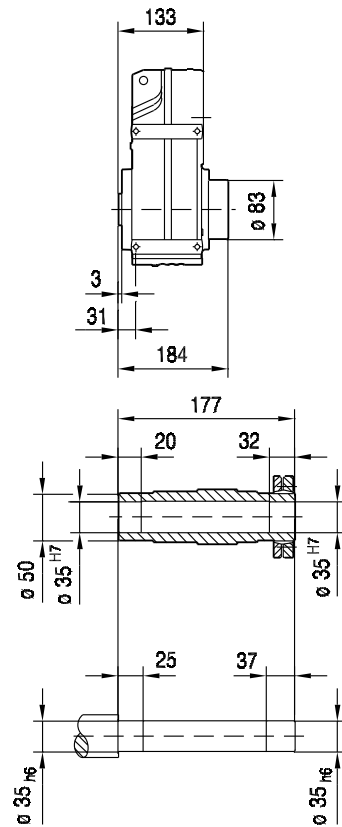
F47..



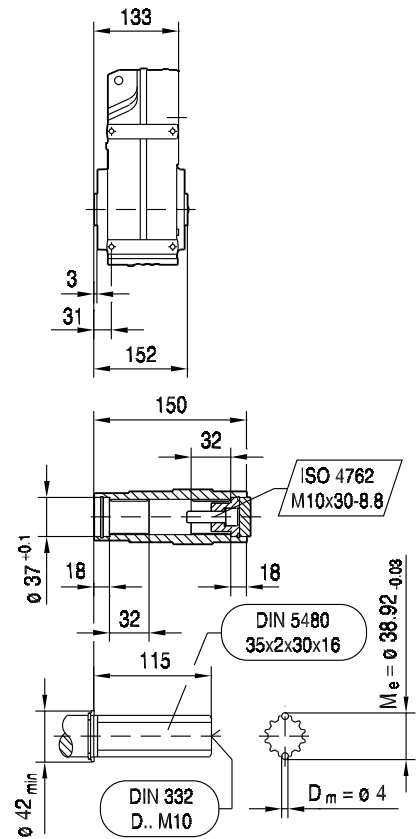
FA47B..



FH47B..



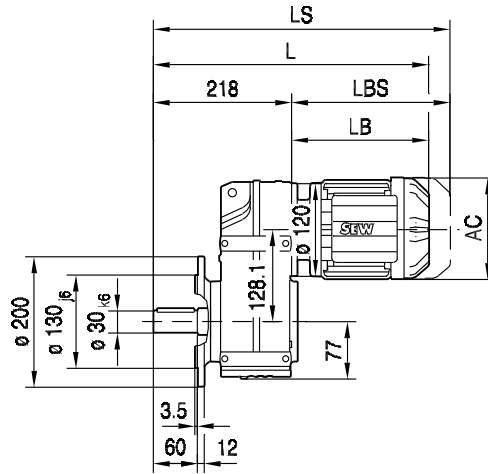
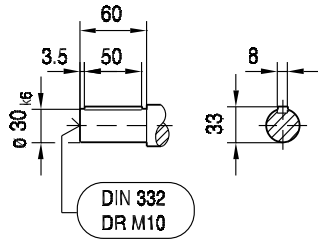
FV47B..



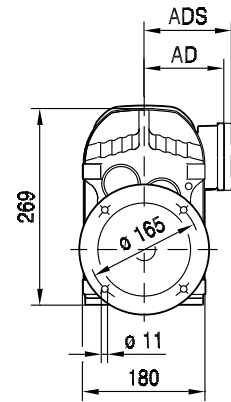
(→ 131)	DR63..	DR71S	DR71M	DR80S	DR80M	DR90M	DR90L	DR100M
AC	132	139	139	156	156	179	179	197
AD	105	119	119	128	128	140	140	157
ADS	105	129	129	139	139	150	150	158
L	384	396	421	430	461	465	485	515
LS	439	464	489	511	542	558	578	608
LB	191	203	228	237	268	272	292	322
LBS	246	271	296	318	349	365	385	415



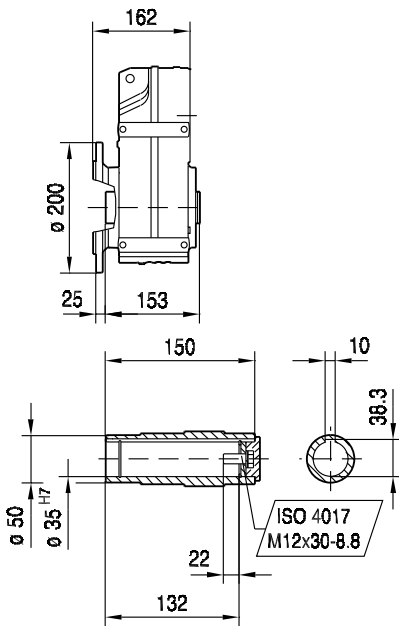
FF47..



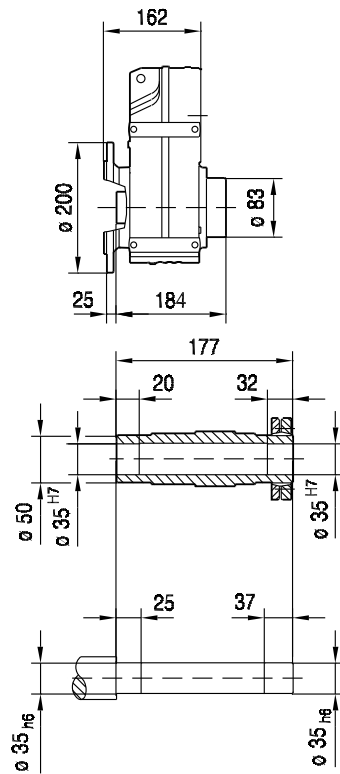
42 077 00 06



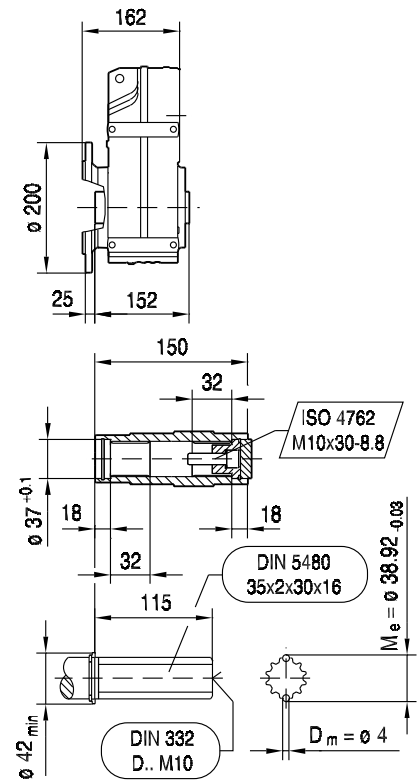
FAF47..



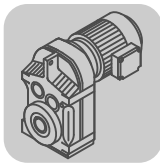
FHF47..



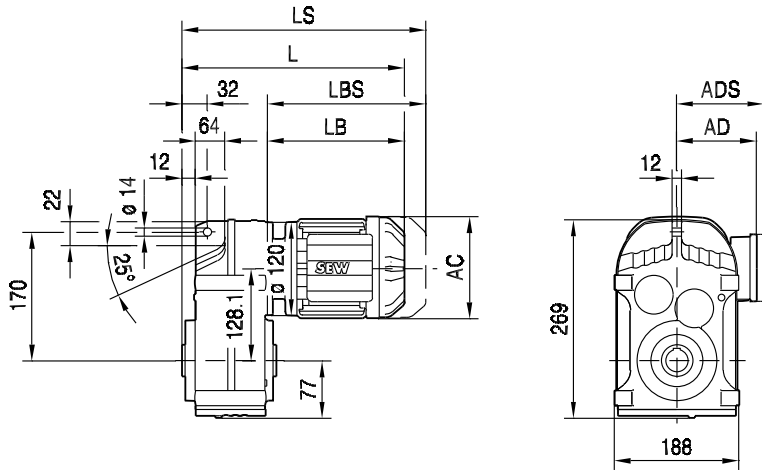
FVF47..



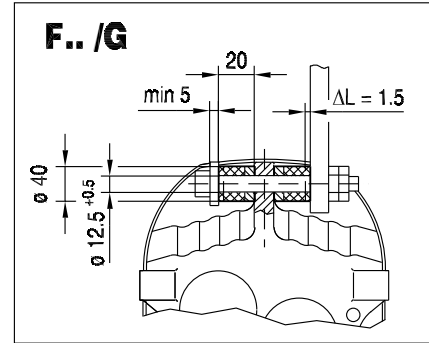
(→ 131)	DR63..	DR71S	DR71M	DR80S	DR80M	DR90M	DR90L	DR100M
AC	132	139	139	156	156	179	179	197
AD	105	119	119	128	128	140	140	157
ADS	105	129	129	139	139	150	150	158
L	409	421	446	455	486	490	510	540
LS	464	489	514	536	567	583	603	633
LB	191	203	228	237	268	272	292	322
LBS	246	271	296	318	349	365	385	415



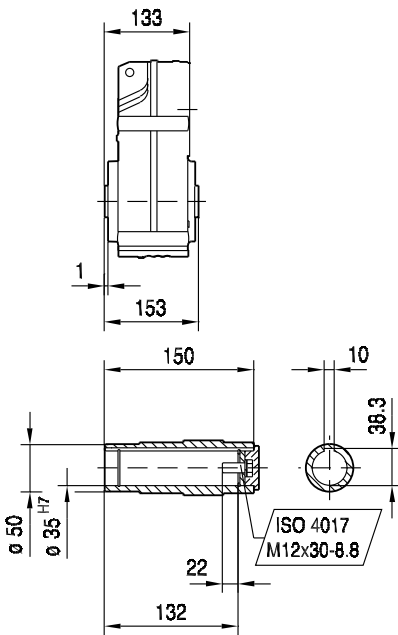
FA47..



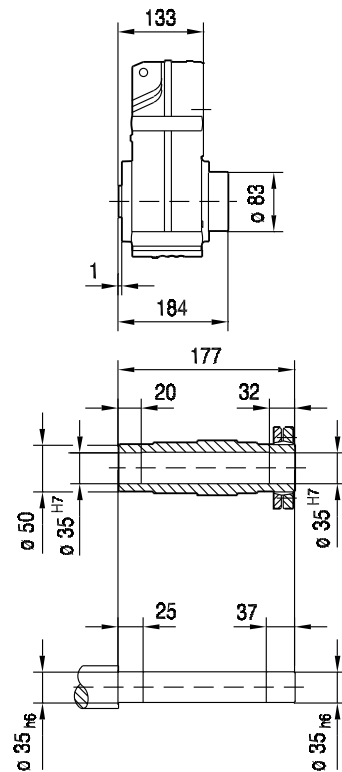
42 078 00 06



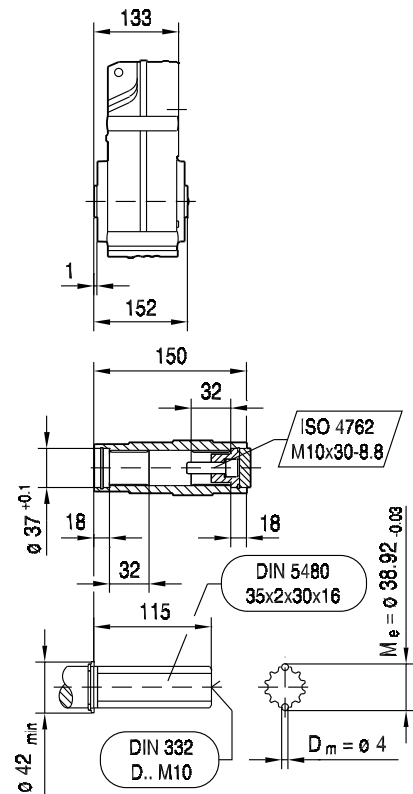
FA47..



FH47..



FV47..

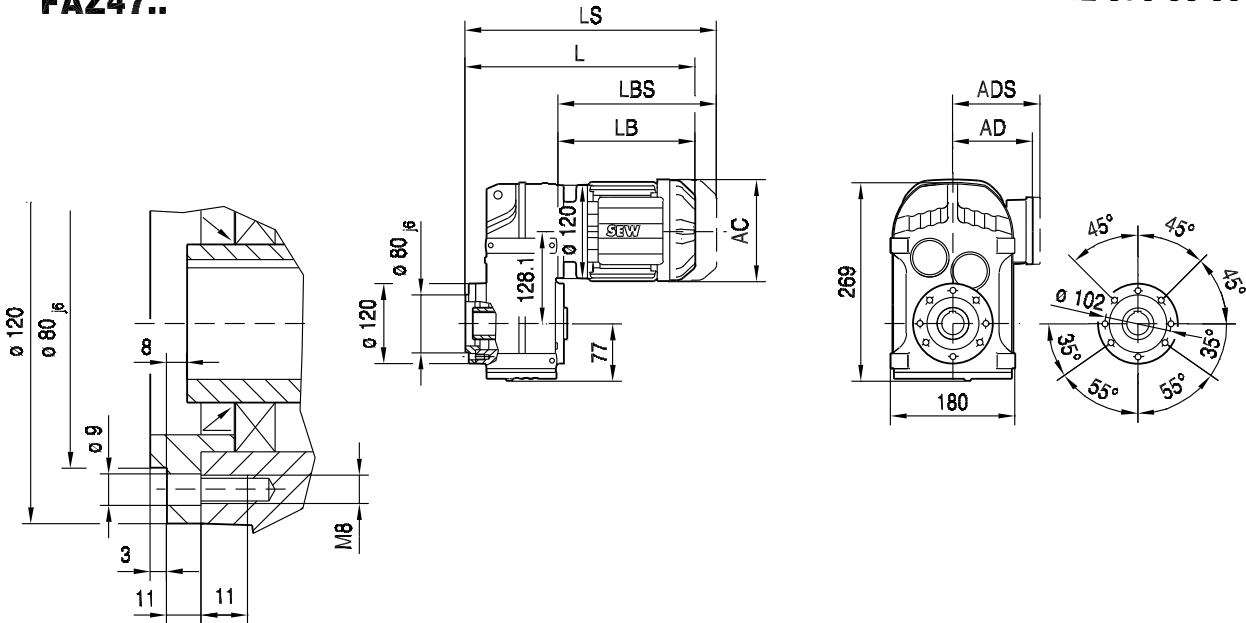


(→ 131)	DR63..	DR71S	DR71M	DR80S	DR80M	DR90M	DR90L	DR100M
AC	132	139	139	156	156	179	179	197
AD	105	119	119	128	128	140	140	157
ADS	105	129	129	139	139	150	150	158
L	324	336	361	370	401	405	425	455
LS	379	404	429	451	482	498	518	548
LB	191	203	228	237	268	272	292	322
LBS	246	271	296	318	349	365	385	415



FAZ47..

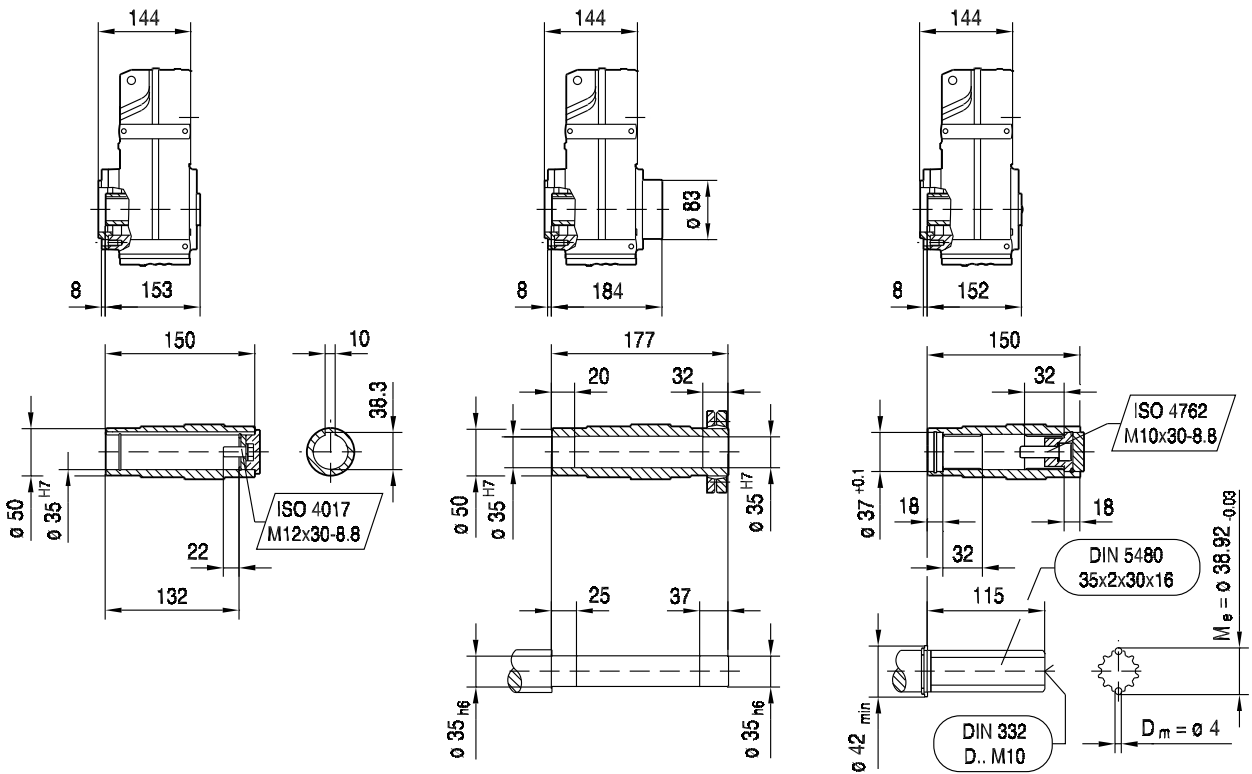
42 079 00 06^L



FAZ47..

FHZ47..

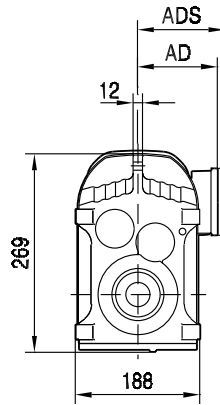
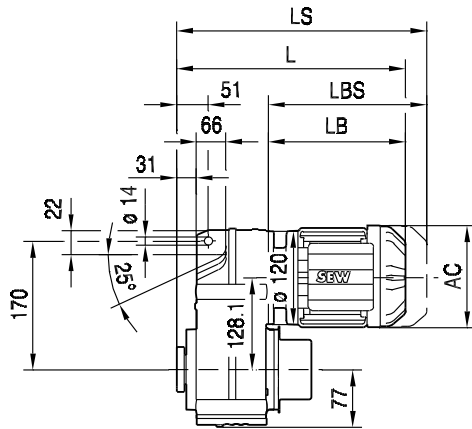
FVZ47..



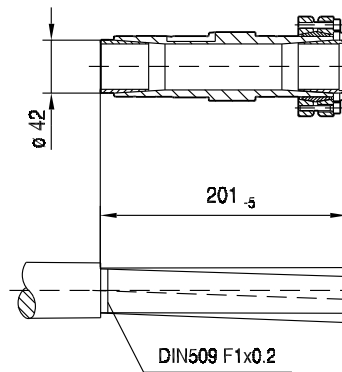
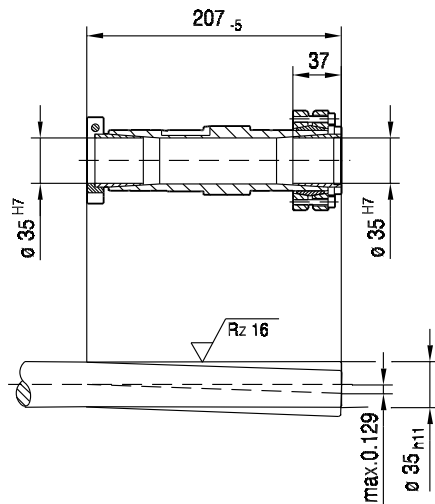
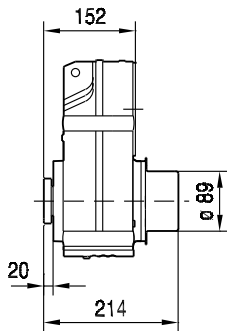
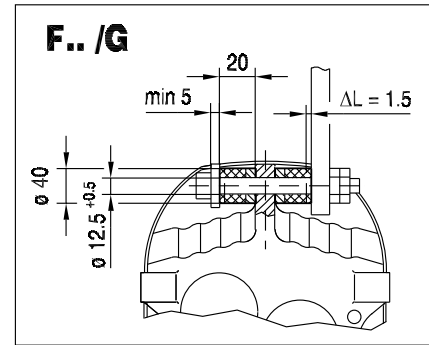
(→ 131)	DR63..	DR71S	DR71M	DR80S	DR80M	DR90M	DR90L	DR100M
AC	132	139	139	156	156	179	179	197
AD	105	119	119	128	128	140	140	157
ADS	105	129	129	139	139	150	150	158
L	335	347	372	381	412	416	436	466
LS	390	415	440	462	493	509	529	559
LB	191	203	228	237	268	272	292	322
LBS	246	271	296	318	349	365	385	415



FT47..



42 080 00 06



(→ 131)	DR63..	DR71S	DR71M	DR80S	DR80M	DR90M	DR90L	DR100M
AC	132	139	139	156	156	179	179	197
AD	105	119	119	128	128	140	140	157
ADS	105	129	129	139	139	150	150	158
L	343	355	380	389	420	424	444	474
LS	398	423	448	470	501	517	537	567
LB	191	203	228	237	268	272	292	322
LBS	246	271	296	318	349	365	385	415



Kalasanati.com

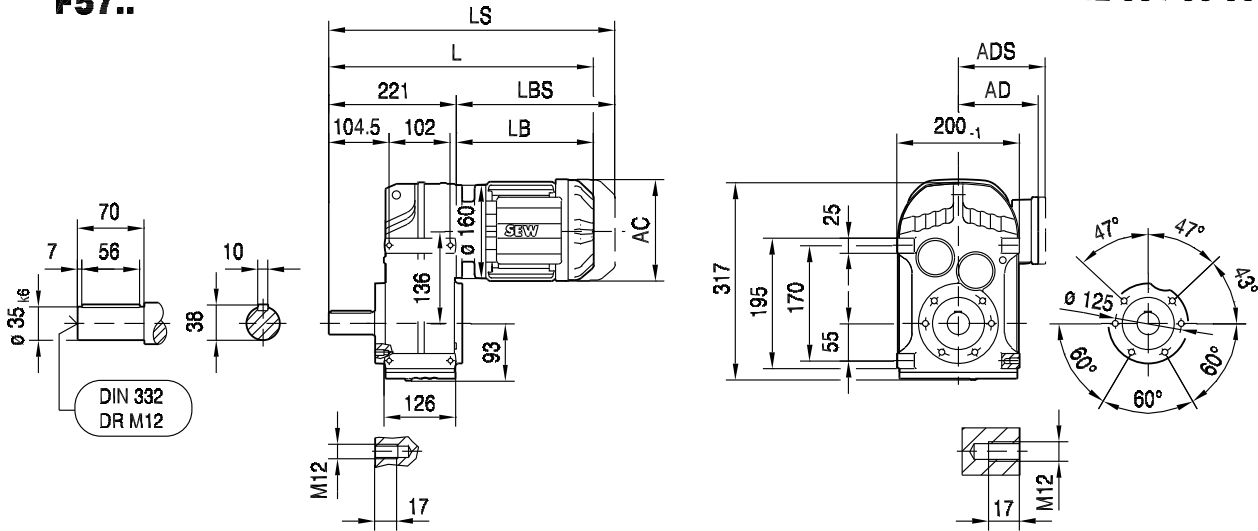
F..DRS
F..DRS [mm]



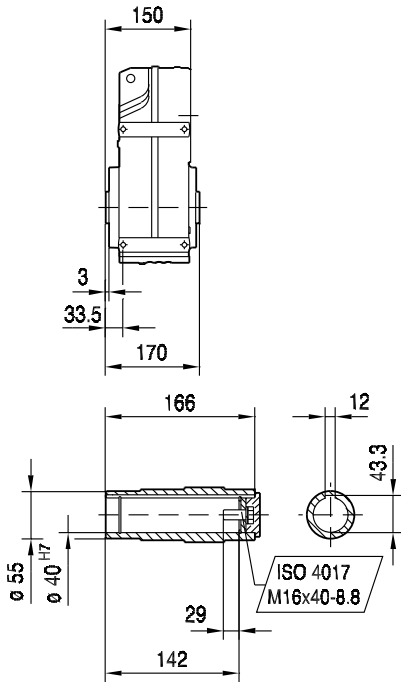
10

42 081 00 06^L

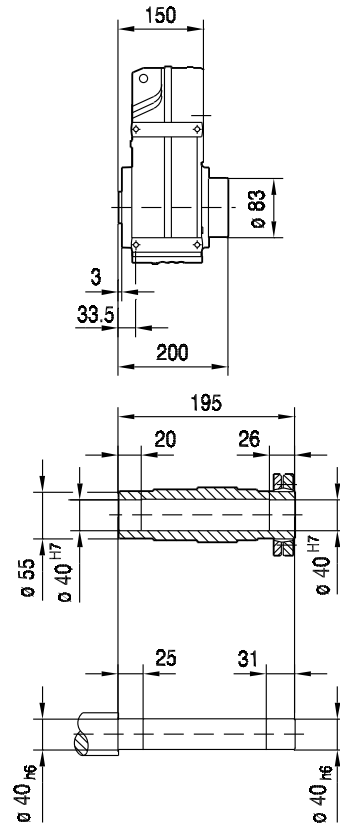
F57..



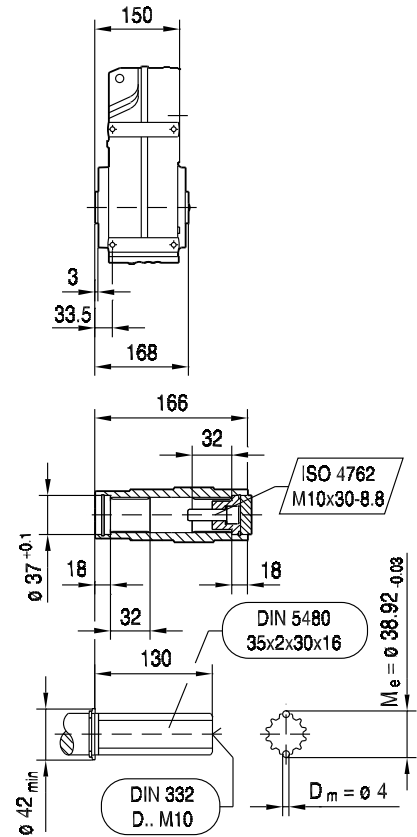
FA57B..



FH57B..
max. DR132S

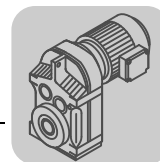


FV57B..

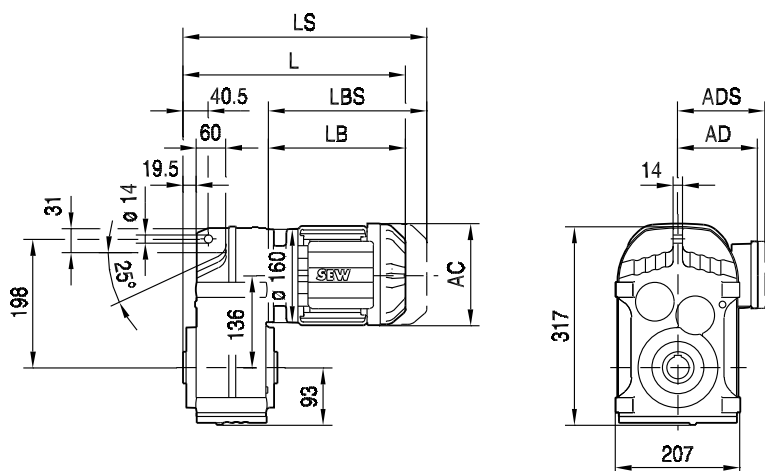


10

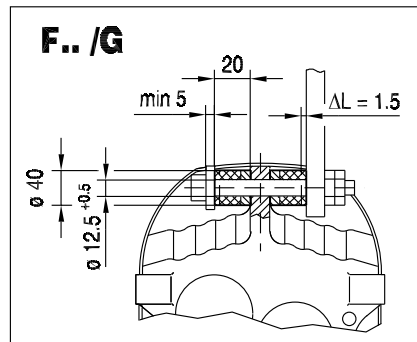
(→ 131)	DR63..	DR71S	DR71M	DR80S	DR80M	DR90M	DR90L	DR100M	DR100L/LC	DR132S
AC	132	139	139	156	156	179	179	197	197	221
AD	105	119	119	128	128	140	140	157	157	170
ADS	105	129	129	139	139	150	150	158	158	172
L	406	417	442	451	482	484	504	534	564	611
LS	461	485	510	532	563	577	597	627	657	723
LB	185	196	221	230	261	263	283	313	343	390
LBS	240	264	289	311	342	356	376	406	436	502



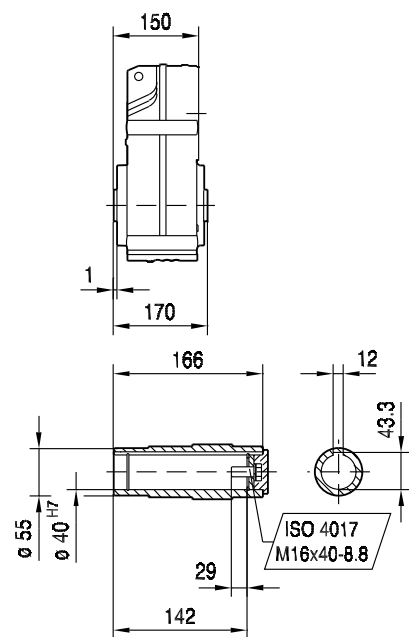
FA57..



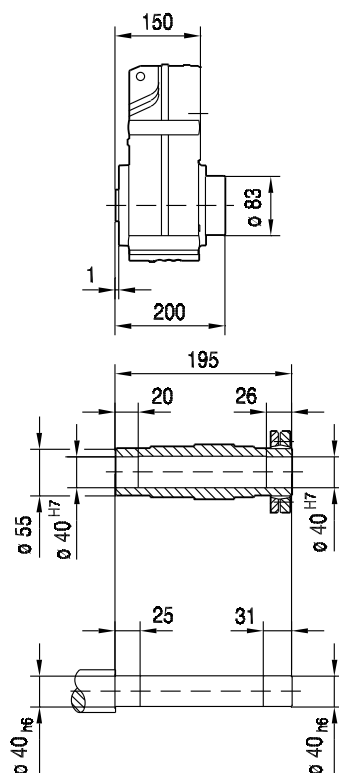
42 083 00 06



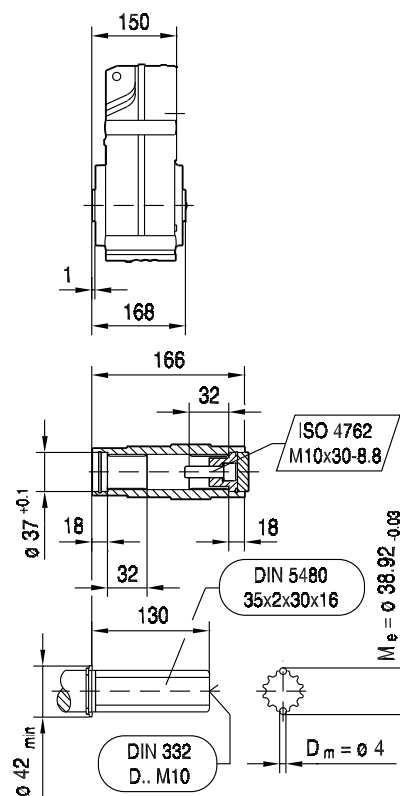
FA57..



FH57..
max. DR132S



FV57..

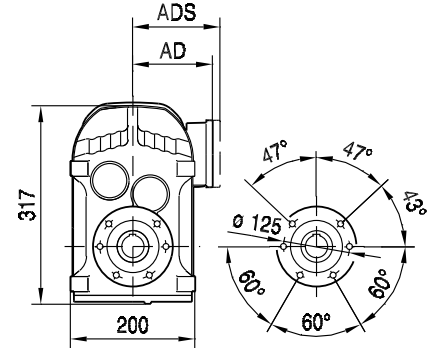
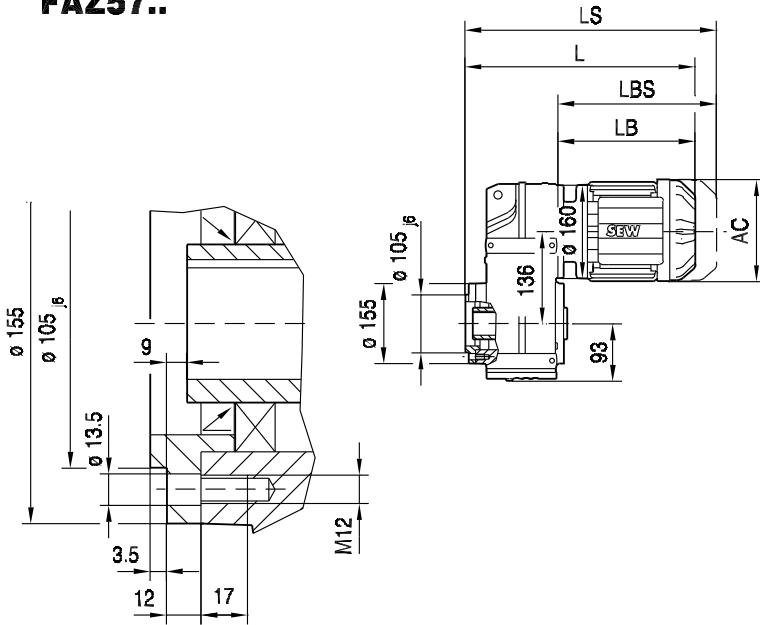


(→ 131)	DR63..	DR71S	DR71M	DR80S	DR80M	DR90M	DR90L	DR100M	DR100L/LC	DR132S
AC	132	139	139	156	156	179	179	197	197	221
AD	105	119	119	128	128	140	140	157	157	170
ADS	105	129	129	139	139	150	150	158	158	172
L	335	346	371	380	411	413	433	463	493	540
LS	390	414	439	461	492	506	526	556	586	652
LB	185	196	221	230	261	263	283	313	343	390
LBS	240	264	289	311	342	356	376	406	436	502

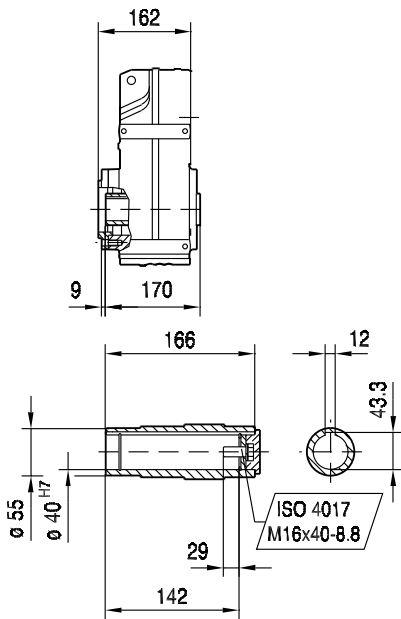


42 084 00 06

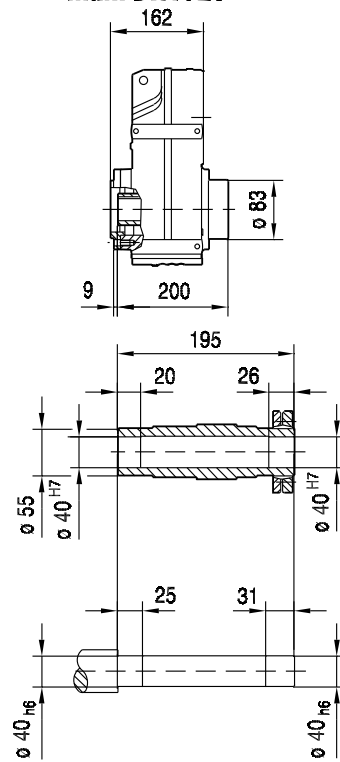
FAZ57..



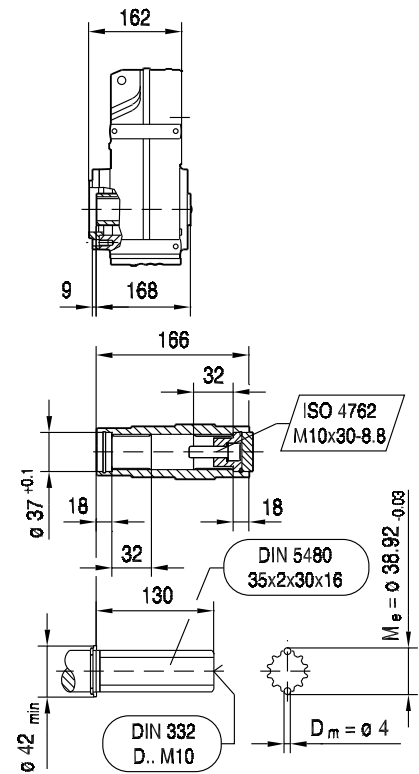
FAZ57..



FHZ57..
max. DR132S



FVZ57..

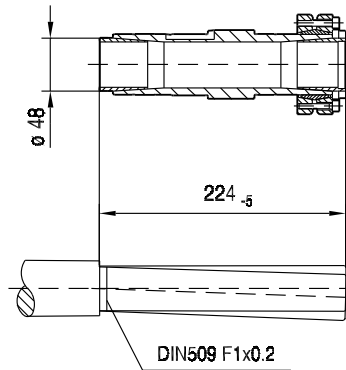
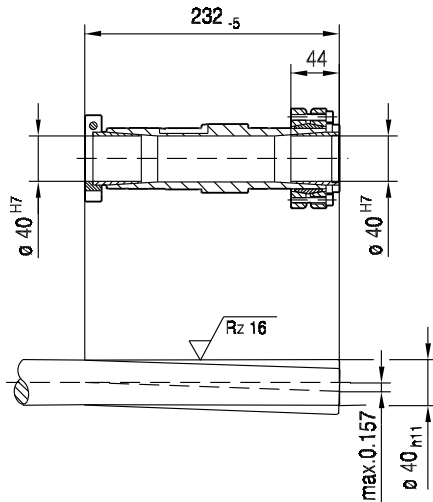
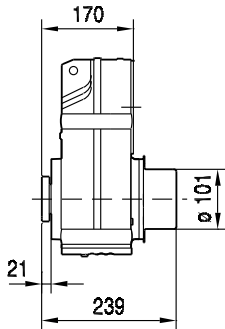
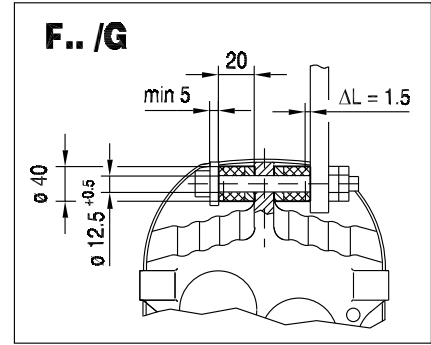
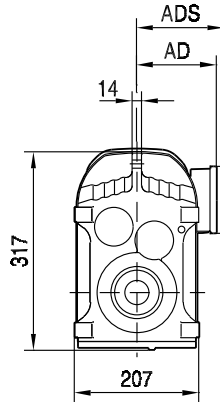
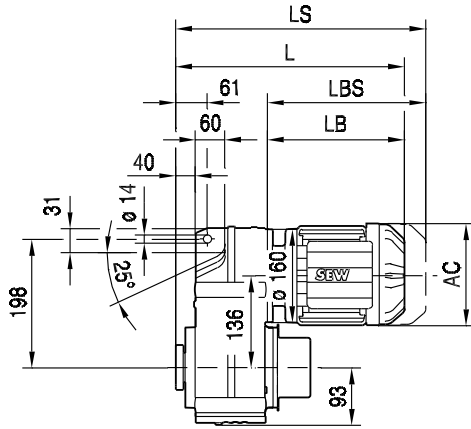


(→ 131)	DR63..	DR71S	DR71M	DR80S	DR80M	DR90M	DR90L	DR100M	DR100L/LC	DR132S
AC	132	139	139	156	156	179	179	197	197	221
AD	105	119	119	128	128	140	140	157	157	170
ADS	105	129	129	139	139	150	150	158	158	172
L	347	358	383	392	423	425	445	475	505	552
LS	402	426	451	473	504	518	538	568	598	664
LB	185	196	221	230	261	263	283	313	343	390
LBS	240	264	289	311	342	356	376	406	436	502



FT57..

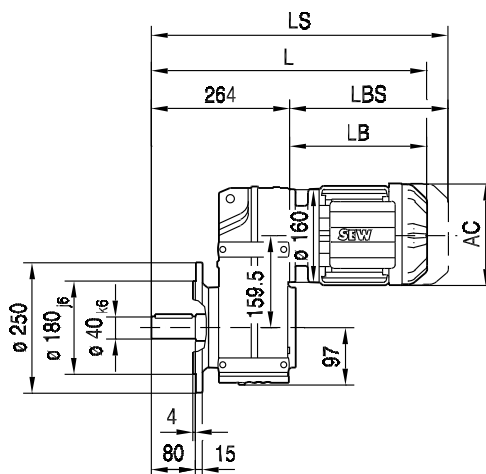
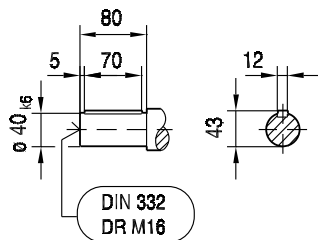
42 085 00 06^L



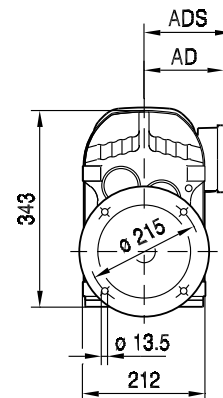
(→ 131)	DR63..	DR71S	DR71M	DR80S	DR80M	DR90M	DR90L	DR100M	DR100L/LC	DR132S
AC	132	139	139	156	156	179	179	197	197	221
AD	105	119	119	128	128	140	140	157	157	170
ADS	105	129	129	139	139	150	150	158	158	172
L	355	366	391	400	431	433	453	483	513	560
LS	410	434	459	481	512	526	546	576	606	672
LB	185	196	221	230	261	263	283	313	343	390
LBS	240	264	289	311	342	356	376	406	436	502



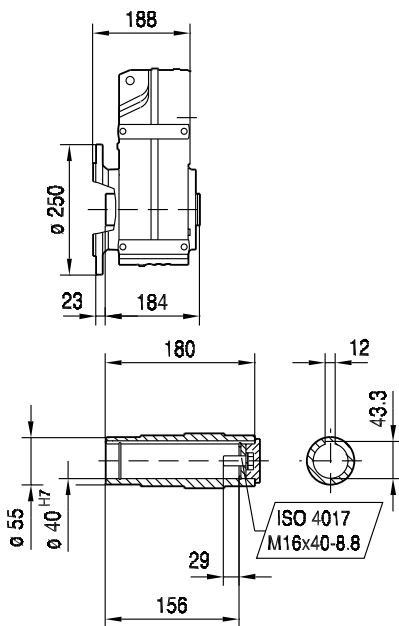
FF67..



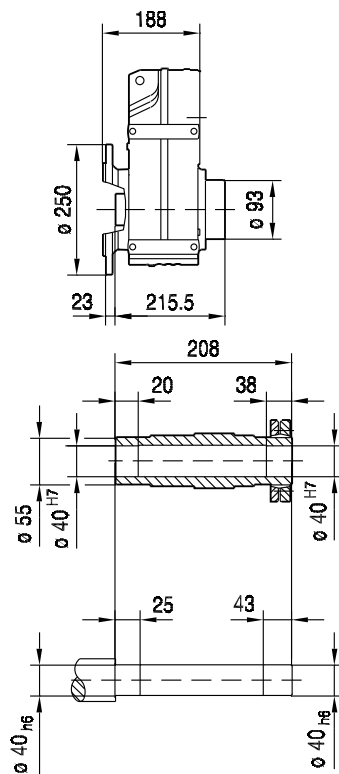
42 087 00 06^L



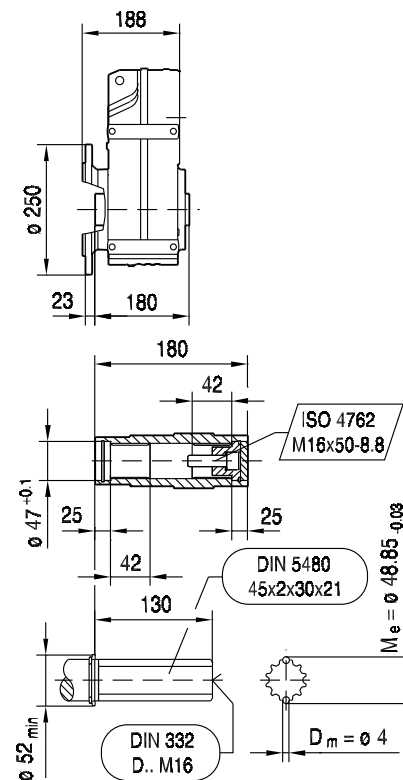
FAF67..



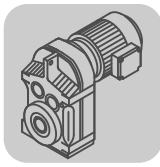
FHF67..
max. DR132S



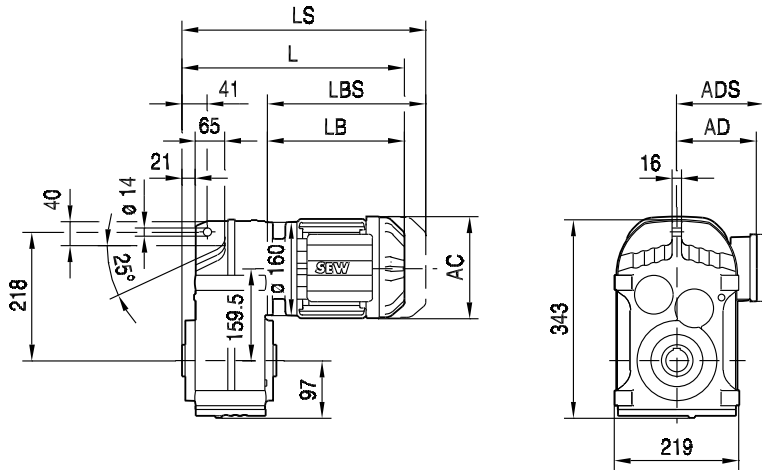
FVF67..



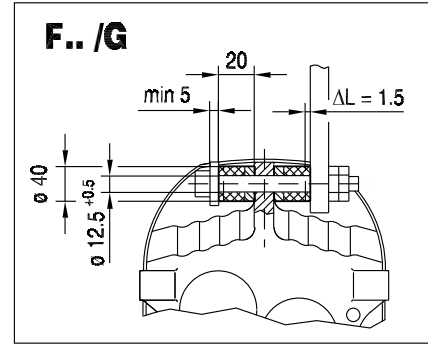
(→ 131)	DR63..	DR71S	DR71M	DR80S	DR80M	DR90M	DR90L	DR100M	DR100L/LC	DR132S
AC	132	139	139	156	156	179	179	197	197	221
AD	105	119	119	128	128	140	140	157	157	170
ADS	105	129	129	139	139	150	150	158	158	172
L	449	460	485	494	525	527	547	577	607	654
LS	504	528	553	575	606	620	640	670	700	766
LB	185	196	221	230	261	263	283	313	343	390
LBS	240	264	289	311	342	356	376	406	436	502



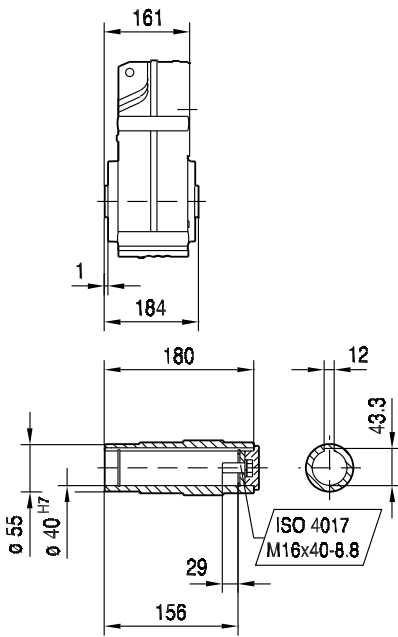
FA67..



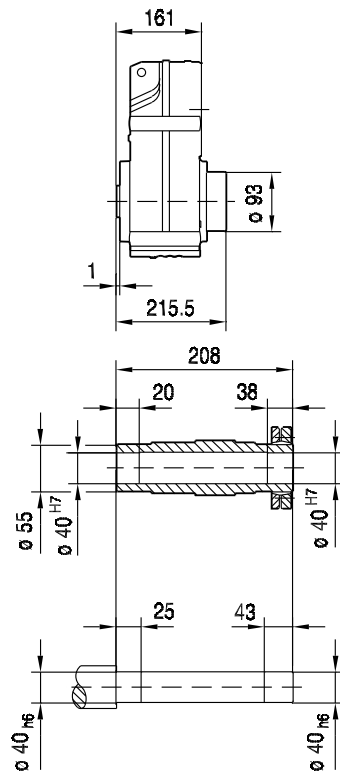
42 088 00 06



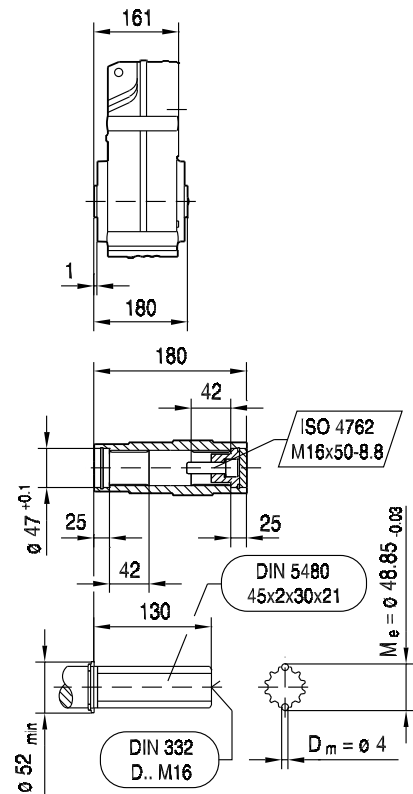
FA67..



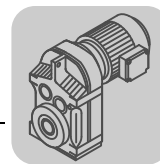
FH67..
max. DR132S



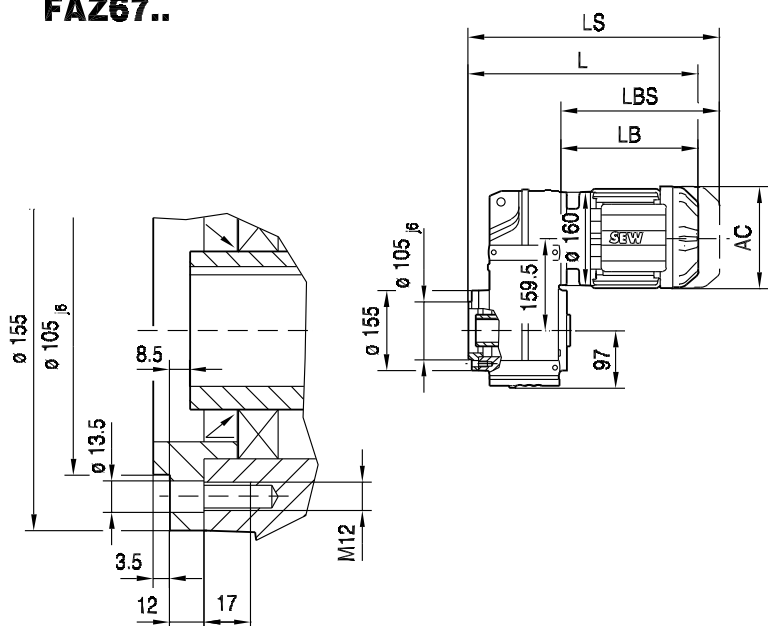
FV67..



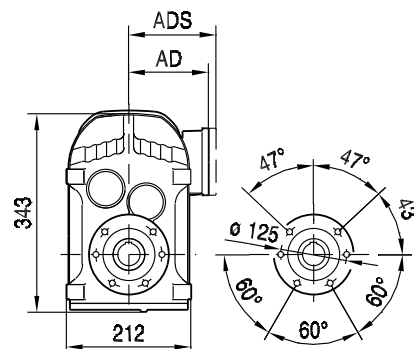
(→ 131)	DR63..	DR71S	DR71M	DR80S	DR80M	DR90M	DR90L	DR100M	DR100L/LC	DR132S
AC	132	139	139	156	156	179	179	197	197	221
AD	105	119	119	128	128	140	140	157	157	170
ADS	105	129	129	139	139	150	150	158	158	172
L	346	357	382	391	422	424	444	474	504	551
LS	401	425	450	472	503	517	537	567	597	663
LB	185	196	221	230	261	263	283	313	343	390
LBS	240	264	289	311	342	356	376	406	436	502



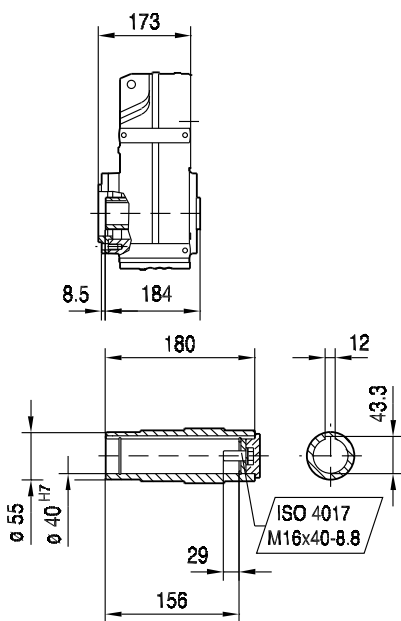
FAZ67..



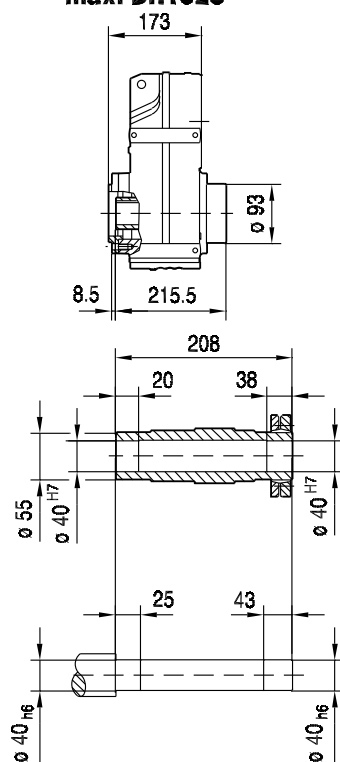
42 089 00 06^L



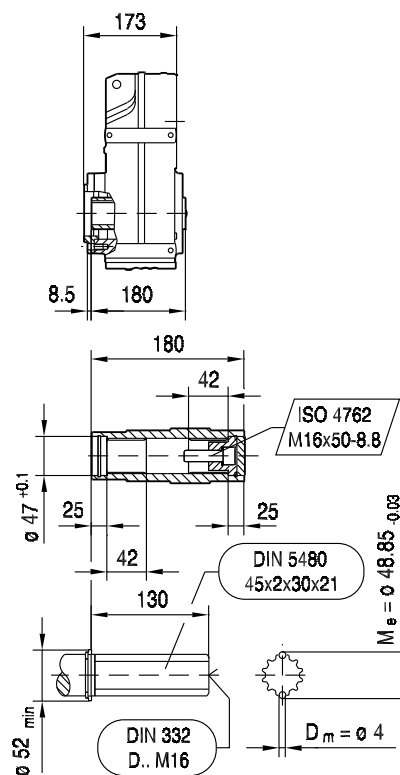
FAZ67..



FHZ67..
max. DR132S

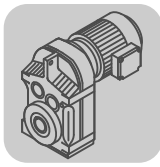


FVZ67..

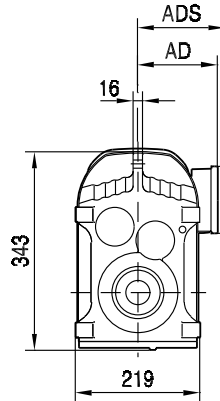
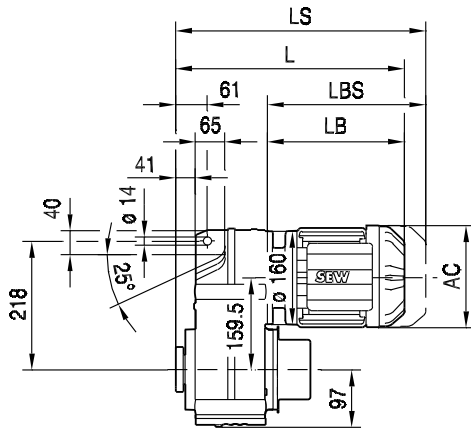


10

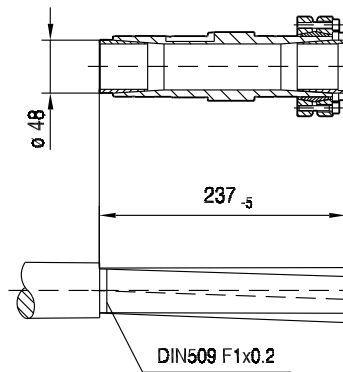
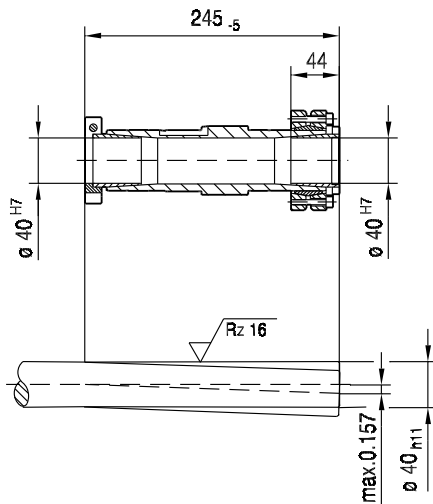
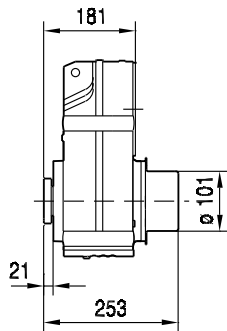
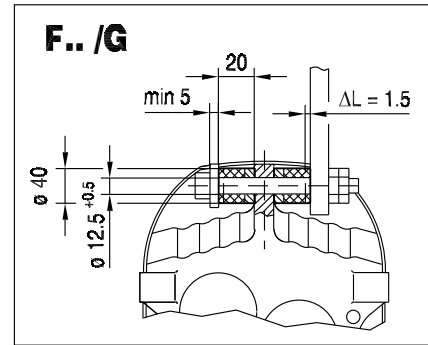
(→ 131)	DR63..	DR71S	DR71M	DR80S	DR80M	DR90M	DR90L	DR100M	DR100L/LC	DR132S
AC	132	139	139	156	156	179	179	197	197	221
AD	105	119	119	128	128	140	140	157	157	170
ADS	105	129	129	139	139	150	150	158	158	172
L	358	369	394	403	434	436	456	486	516	563
LS	413	437	462	484	515	529	549	579	609	675
LB	185	196	221	230	261	263	283	313	343	390
LBS	240	264	289	311	342	356	376	406	436	502



FT67..



42 090 00 06

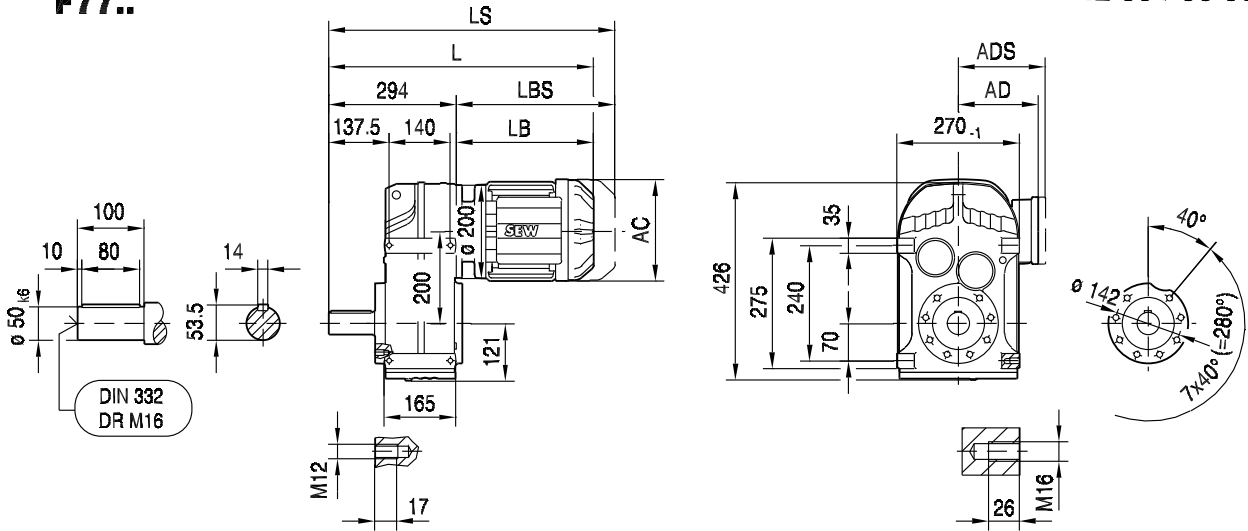


(→ 131)	DR63..	DR71S	DR71M	DR80S	DR80M	DR90M	DR90L	DR100M	DR100L/LC	DR132S
AC	132	139	139	156	156	179	179	197	197	221
AD	105	119	119	128	128	140	140	157	157	170
ADS	105	129	129	139	139	150	150	158	158	172
L	366	377	402	412	443	444	464	494	524	572
LS	421	445	470	493	524	537	557	587	617	684
LB	185	196	221	230	261	263	283	313	343	390
LBS	240	264	289	311	342	356	376	406	436	502

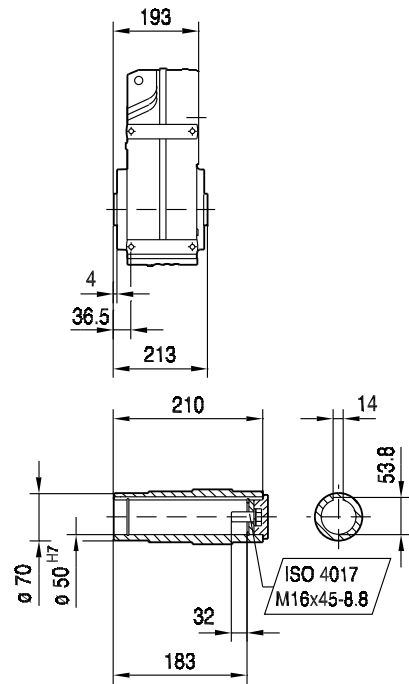


42 091 00 06^L

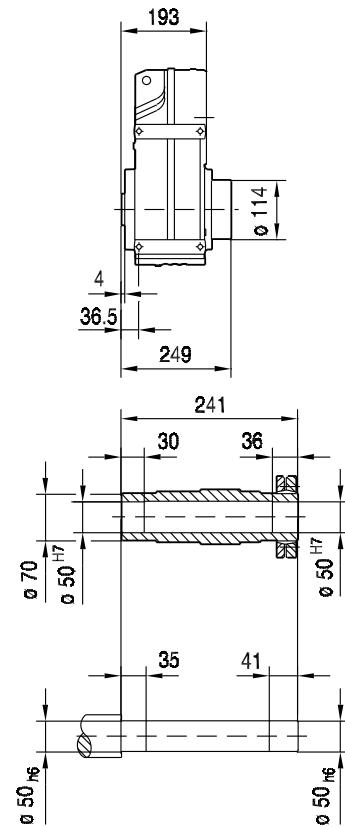
F77..



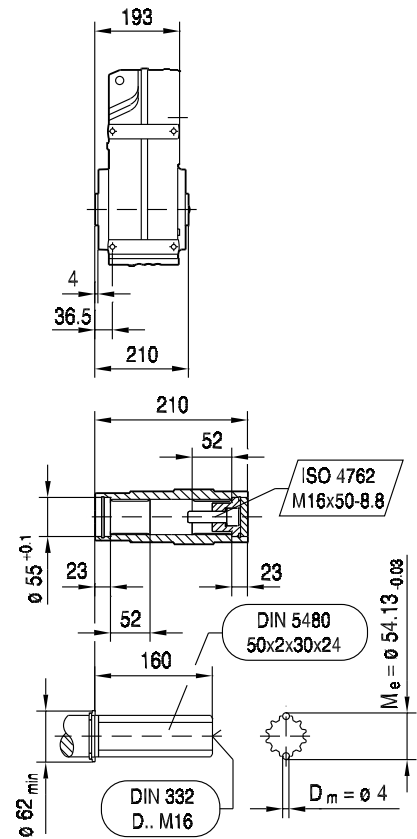
FA77B..



FH77B..



FV77B..

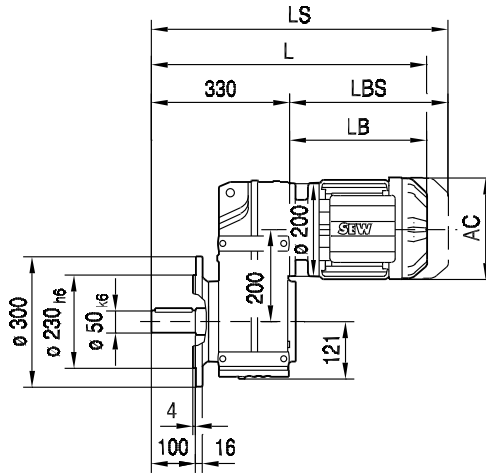
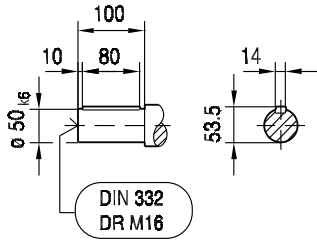


10

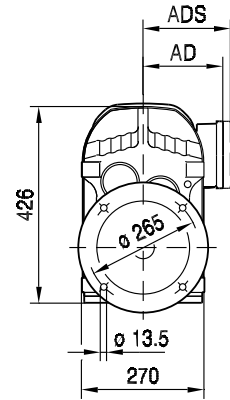
(→ 131)	DR63..	DR71S	DR71M	DR80S	DR80M	DR90M	DR90L	DR100M	DR100L/LC	DR132S	DR132M/MC	DR160..
AC	132	139	139	156	156	179	179	197	197	221	221	270
AD	105	119	119	128	128	140	140	157	157	170	170	228
ADS	105	129	129	139	139	150	150	158	158	172	172	228
L	472	483	508	517	548	550	570	600	630	673	723	764
LS	527	551	576	598	629	643	663	693	723	785	835	901
LB	178	189	214	223	254	256	276	306	336	379	429	470
LBS	233	257	282	304	335	349	369	399	429	491	541	607



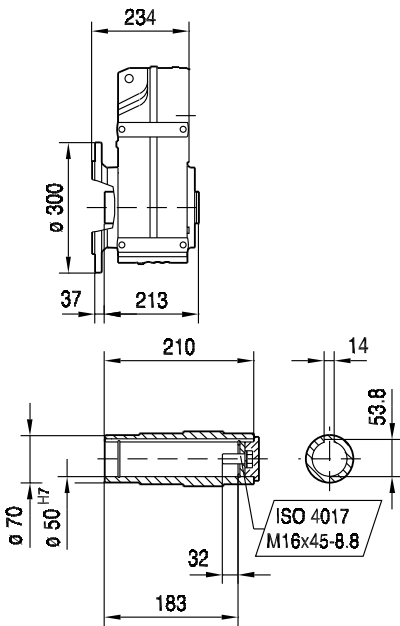
FF77..



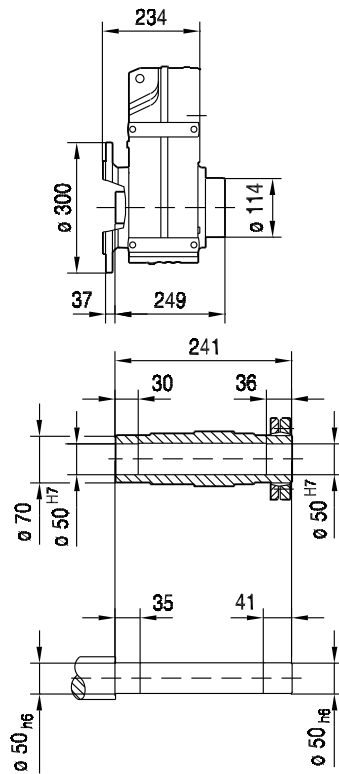
42 092 00 06



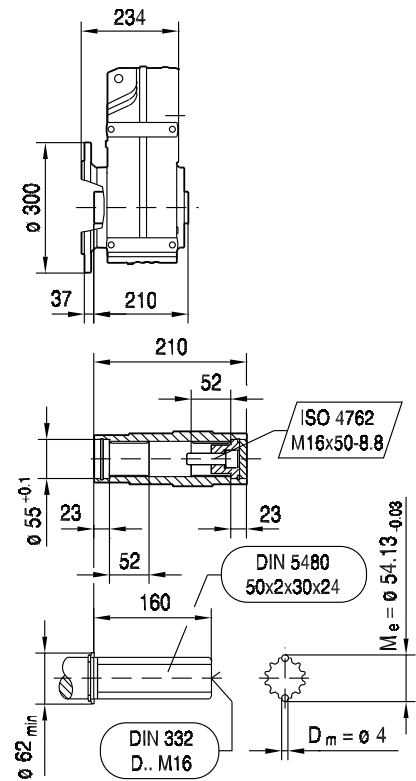
FAF77..



FHF77..



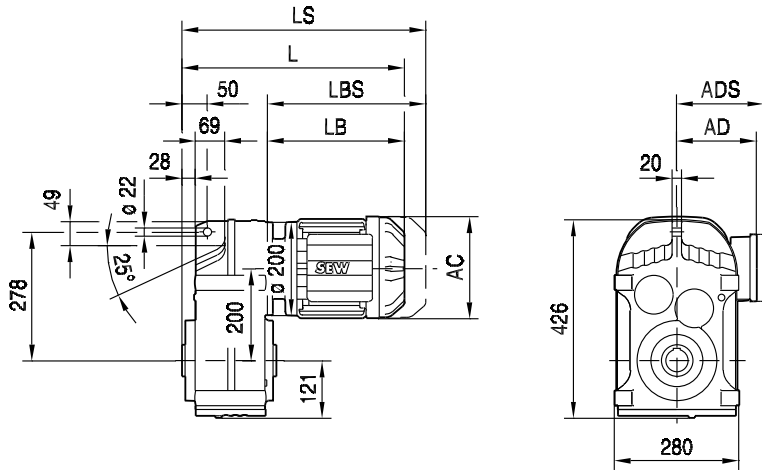
FVF77..



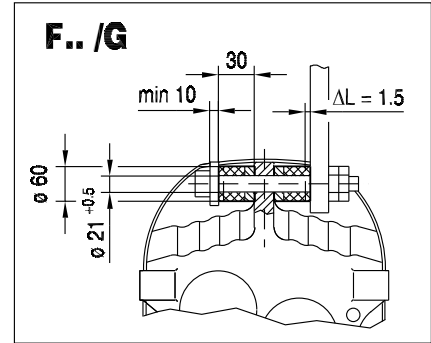
(→ 131)	DR63..	DR71S	DR71M	DR80S	DR80M	DR90M	DR90L	DR100M	DR100L/LC	DR132S	DR132M/MC	DR160..
AC	132	139	139	156	156	179	179	197	197	221	221	270
AD	105	119	119	128	128	140	140	157	157	170	170	228
ADS	105	129	129	139	139	150	150	158	158	172	172	228
L	508	519	544	553	584	586	606	636	666	709	759	800
LS	563	587	612	634	665	679	699	729	759	821	871	937
LB	178	189	214	223	254	256	276	306	336	379	429	470
LBS	233	257	282	304	335	349	369	399	429	491	541	607



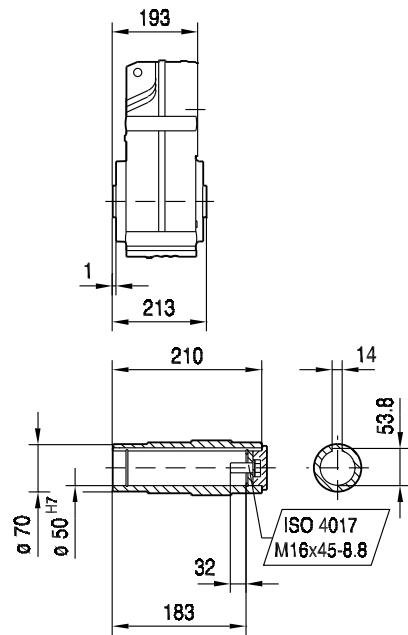
FA77..



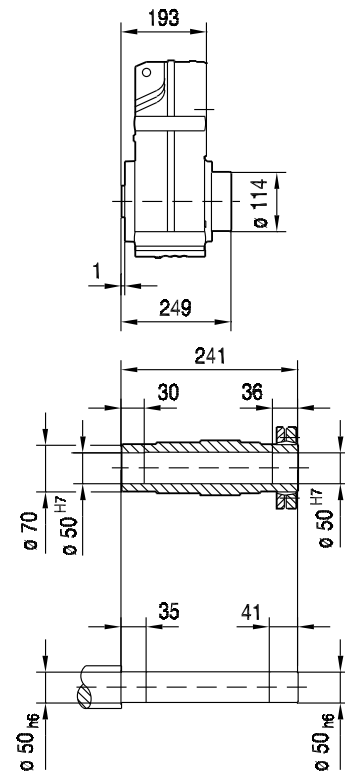
42 093 00 06



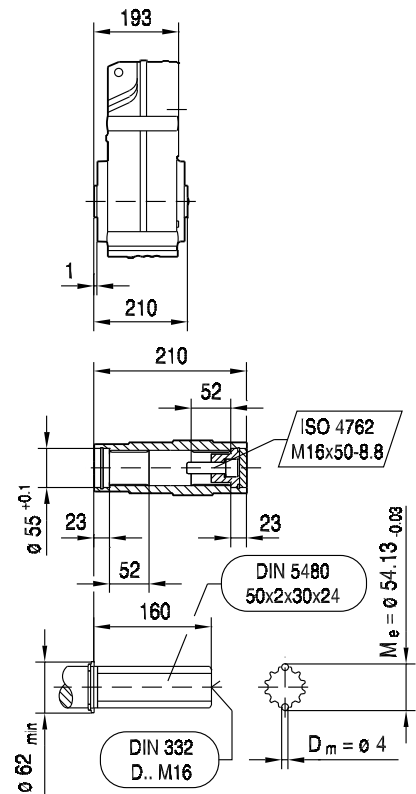
FA77..



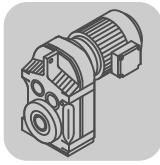
FH77..



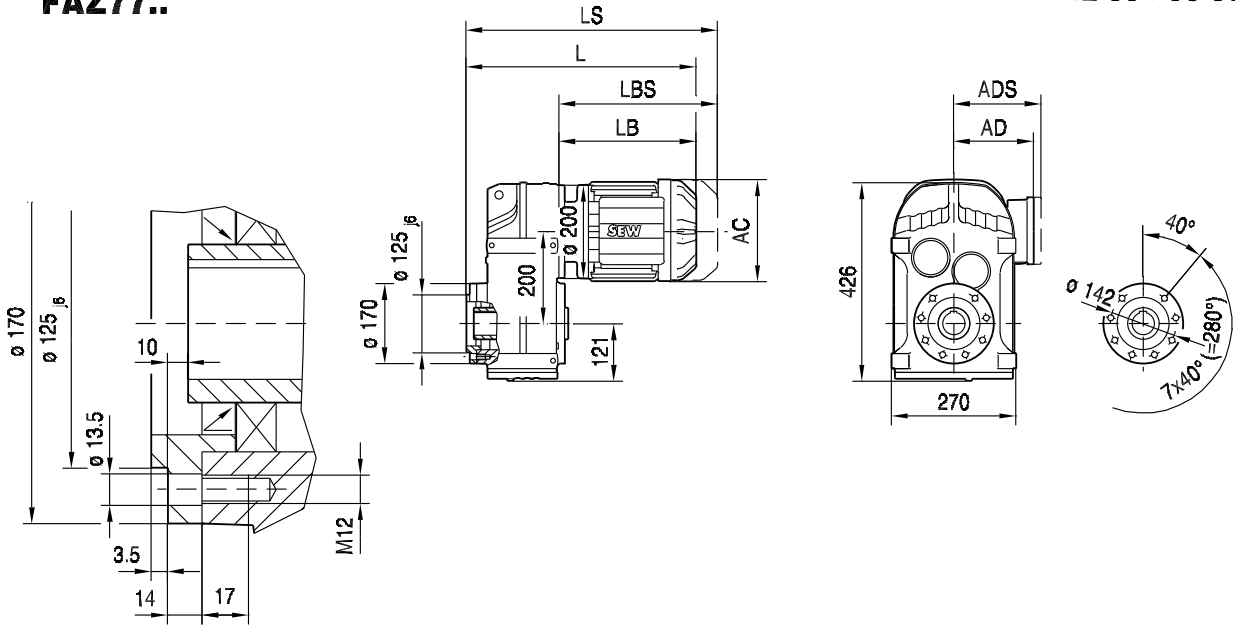
FV77..



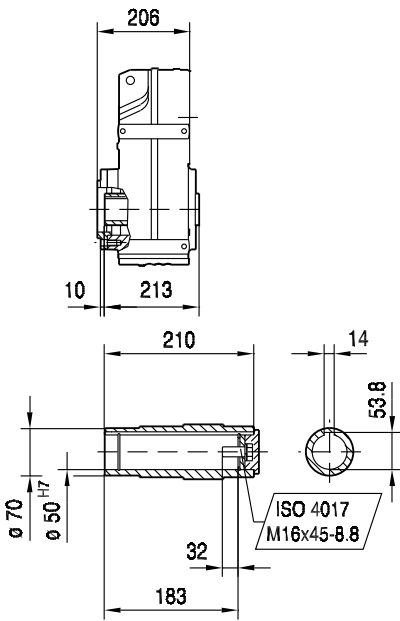
(→ 131)	DR63..	DR71S	DR71M	DR80S	DR80M	DR90M	DR90L	DR100M	DR100L/LC	DR132S	DR132M/MC	DR160..
AC	132	139	139	156	156	179	179	197	197	221	221	270
AD	105	119	119	128	128	140	140	157	157	170	170	228
ADS	105	129	129	139	139	150	150	158	158	172	172	228
L	371	382	407	416	447	449	469	499	529	572	622	663
LS	426	450	475	497	528	542	562	592	622	684	734	800
LB	178	189	214	223	254	256	276	306	336	379	429	470
LBS	233	257	282	304	335	349	369	399	429	491	541	607



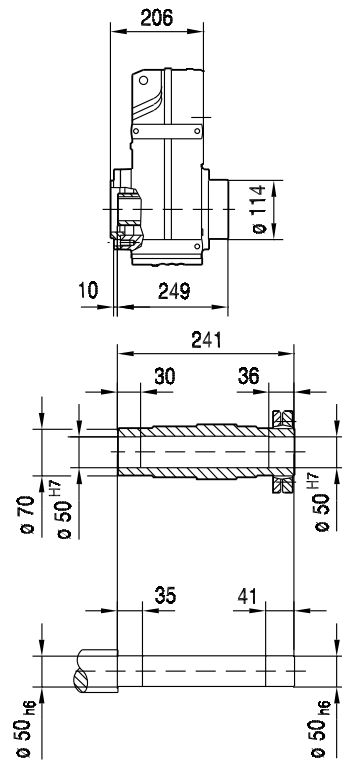
FAZ77..



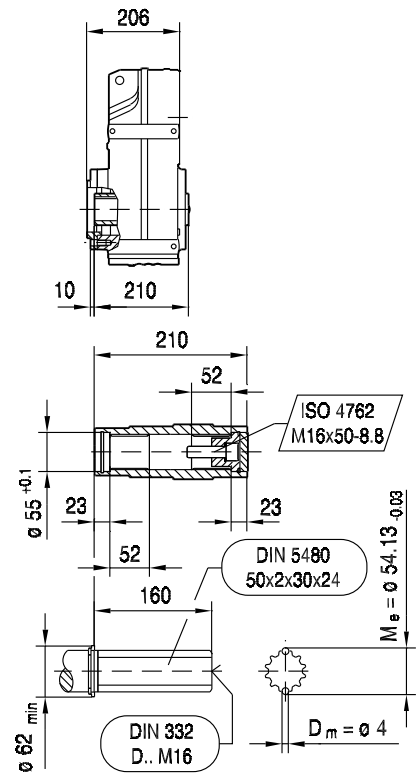
FAZ77..



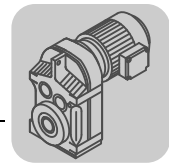
FHZ77..



FVZ77..

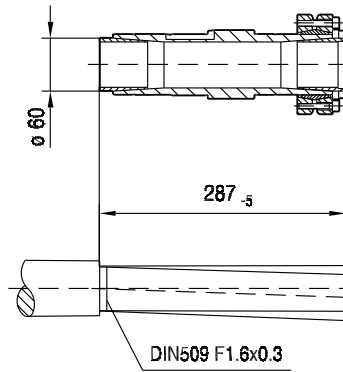
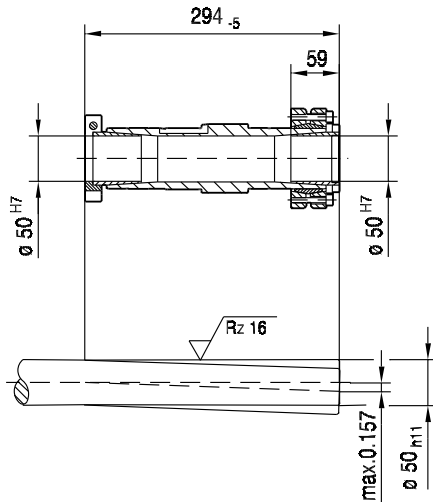
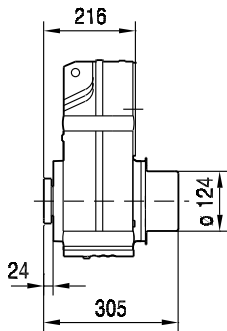
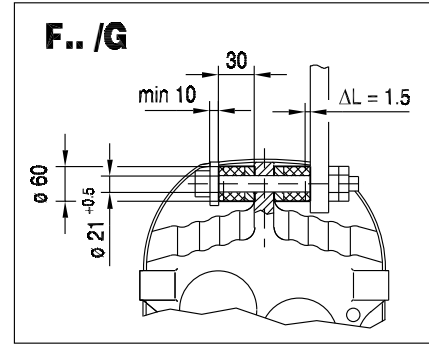
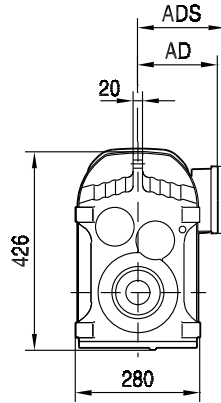
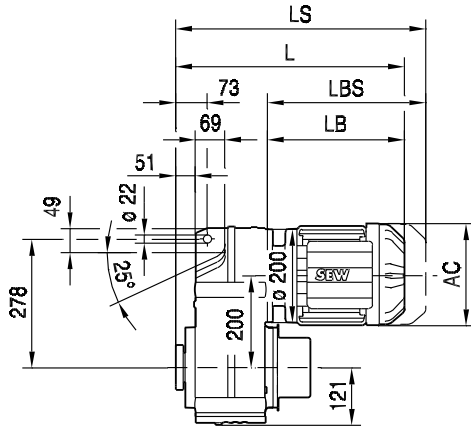


(→ 131)	DR63..	DR71S	DR71M	DR80S	DR80M	DR90M	DR90L	DR100M	DR100L/LC	DR132S	DR132M/MC	DR160..
AC	132	139	139	156	156	179	179	197	197	221	221	270
AD	105	119	119	128	128	140	140	157	157	170	170	228
ADS	105	129	129	139	139	150	150	158	158	172	172	228
L	384	395	420	429	460	462	482	512	542	585	635	676
LS	439	463	488	510	541	555	575	605	635	697	747	813
LB	178	189	214	223	254	256	276	306	336	379	429	470
LBS	233	257	282	304	335	349	369	399	429	491	541	607

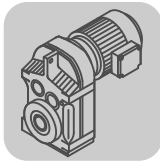


FT77..

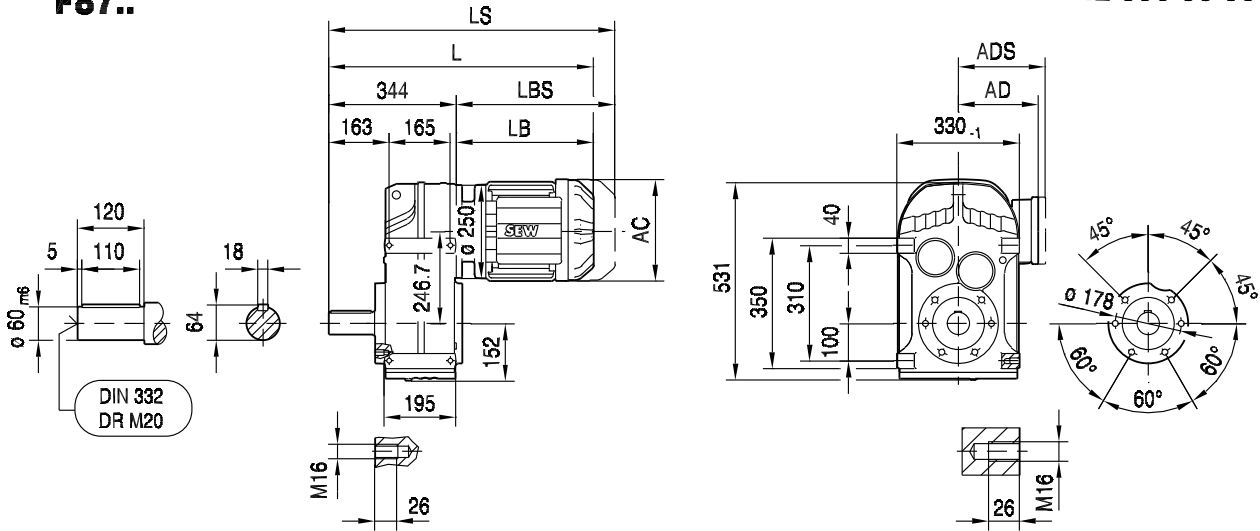
42 095 00 06^L



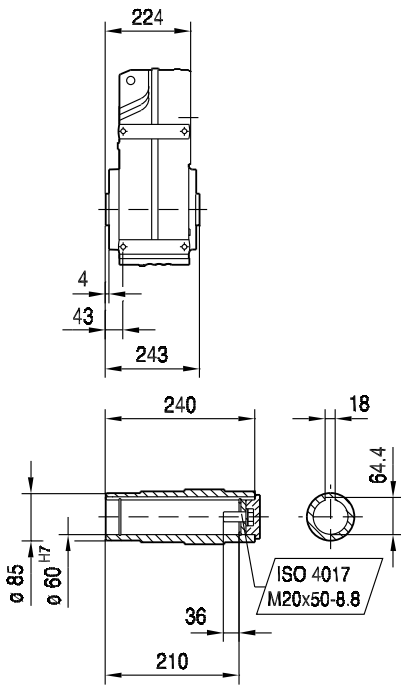
(→ 131)	DR63..	DR71S	DR71M	DR80S	DR80M	DR90M	DR90L	DR100M	DR100L/LC	DR132S	DR132M/MC	DR160..
AC	132	139	139	156	156	179	179	197	197	221	221	270
AD	105	119	119	128	128	140	140	157	157	170	170	228
ADS	105	129	129	139	139	150	150	158	158	172	172	228
L	394	405	430	439	470	472	492	522	552	595	645	686
LS	449	473	498	520	551	565	585	615	645	707	757	823
LB	178	189	214	223	254	256	276	306	336	379	429	470
LBS	233	257	282	304	335	349	369	399	429	491	541	607



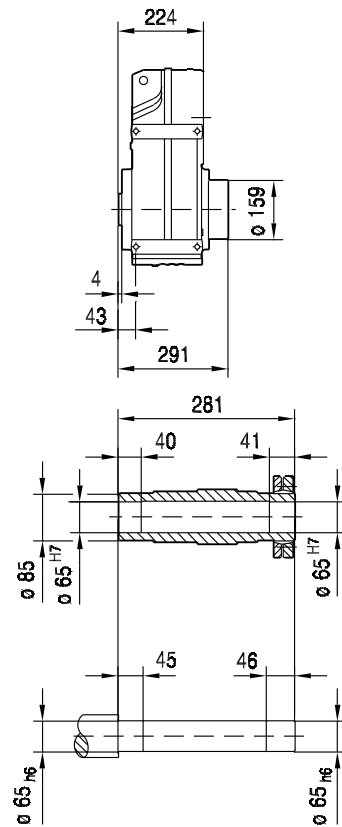
F87..



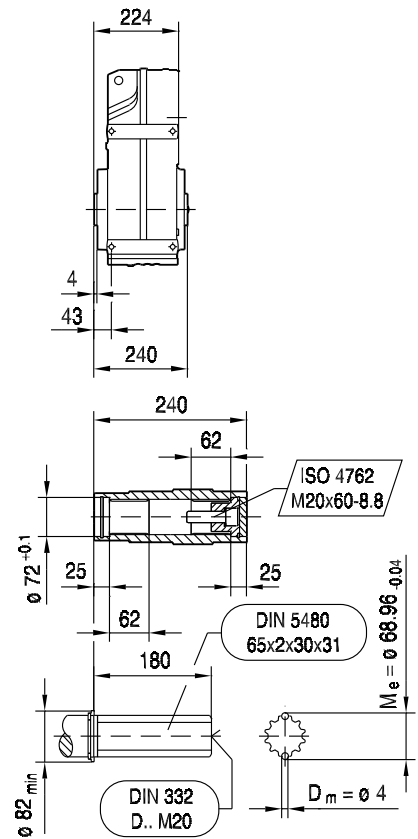
FA87B..



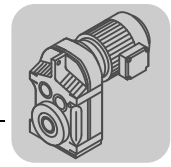
FH87B..



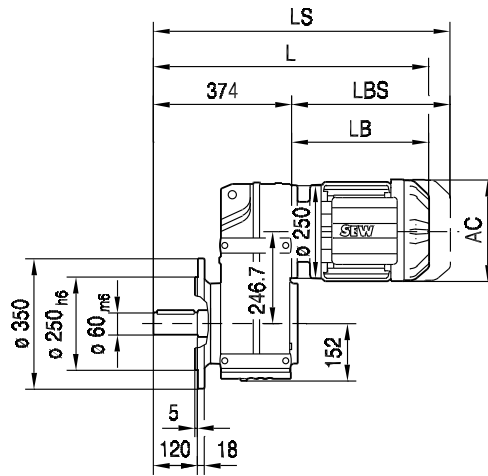
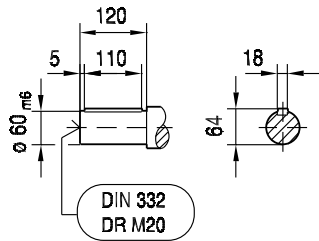
FV87B..



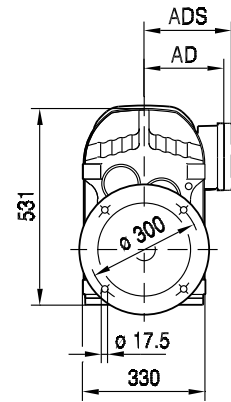
(→ 131)	DR80S	DR80M	DR90M	DR90L	DR100M	DR100L/LC	DR132S	DR132M/MC	DR160..	DR180S/M	DR180L/LC
AC	156	156	179	179	197	197	221	221	270	316	316
AD	128	128	140	140	157	157	170	170	228	253	253
ADS	139	139	150	150	158	158	172	172	228	253	253
L	562	593	595	615	645	675	718	768	809	878	938
LS	643	674	688	708	738	768	830	880	946	1067	1127
LB	218	249	251	271	301	331	374	424	465	534	594
LBS	299	330	344	364	394	424	486	536	602	723	783



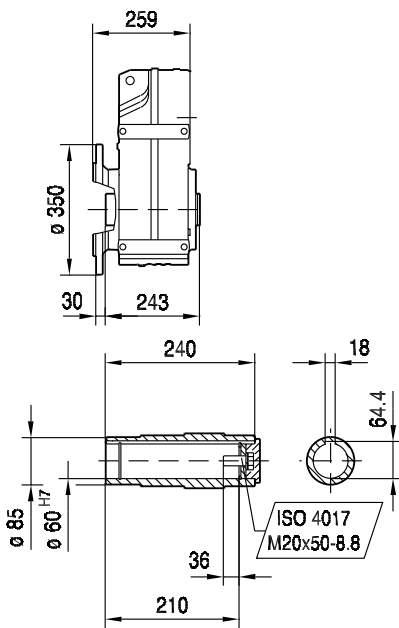
FF87..



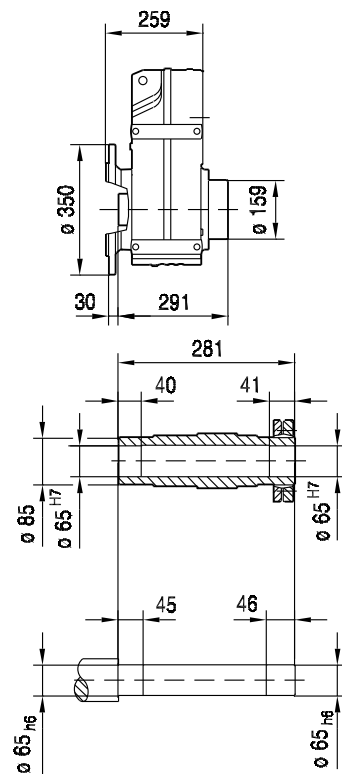
42 097 00 06



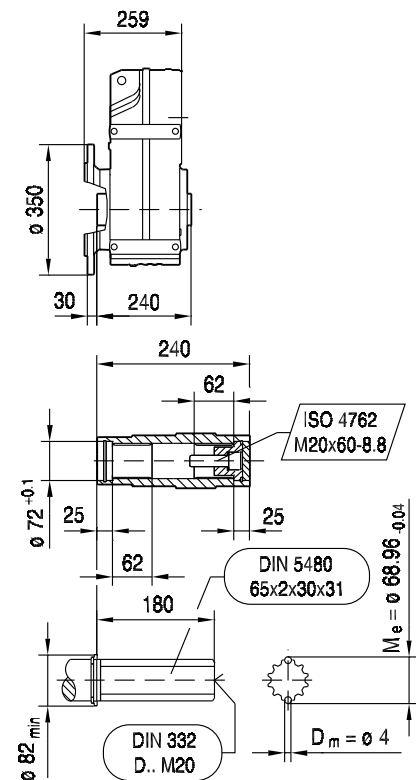
FAF87..



FHF87..



FVF87..

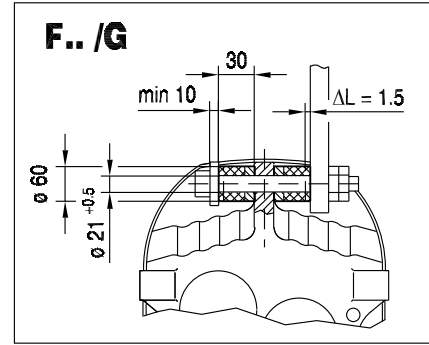
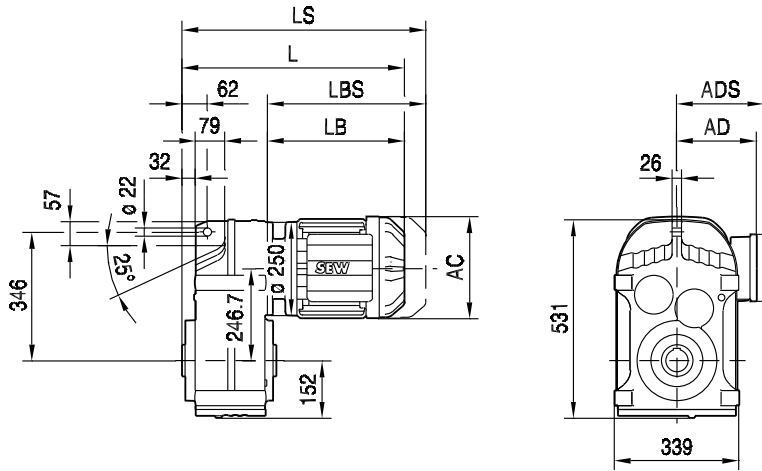


(→ 131)	DR80S	DR80M	DR90M	DR90L	DR100M	DR100L/LC	DR132S	DR132M/MC	DR160..	DR180S/M	DR180L/LC
AC	156	156	179	179	197	197	221	221	270	316	316
AD	128	128	140	140	157	157	170	170	228	253	253
ADS	139	139	150	150	158	158	172	172	228	253	253
L	592	623	625	645	675	705	748	798	839	908	968
LS	673	704	718	738	768	798	860	910	976	1097	1157
LB	218	249	251	271	301	331	374	424	465	534	594
LBS	299	330	344	364	394	424	486	536	602	723	783

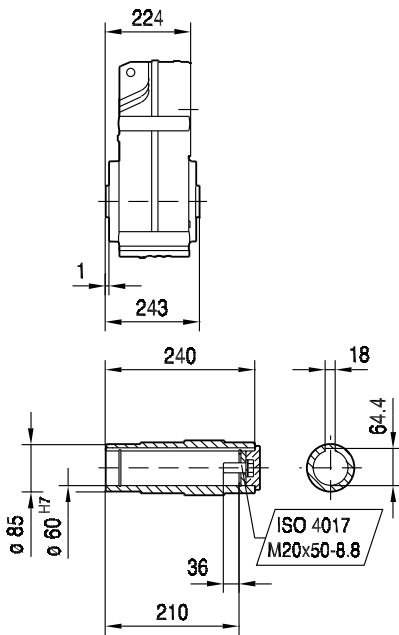


42 098 00 06

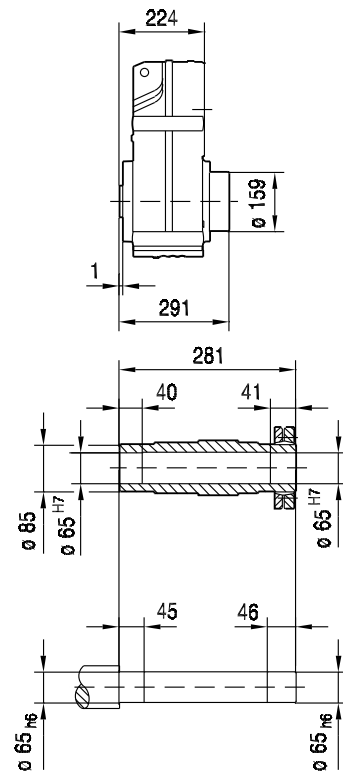
FA87..



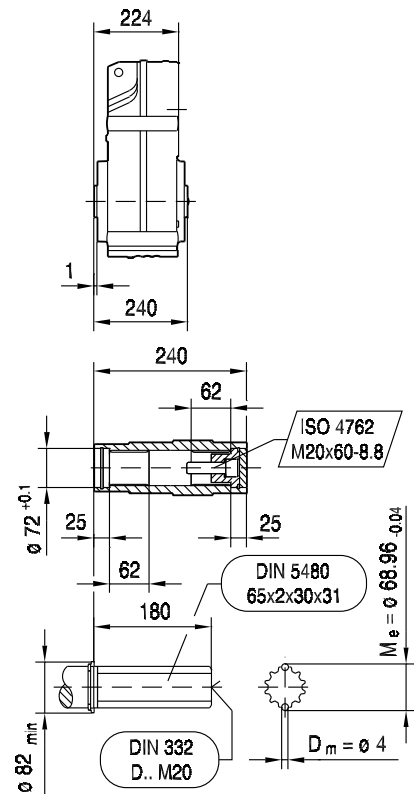
FA87..



FH87..



FV87..

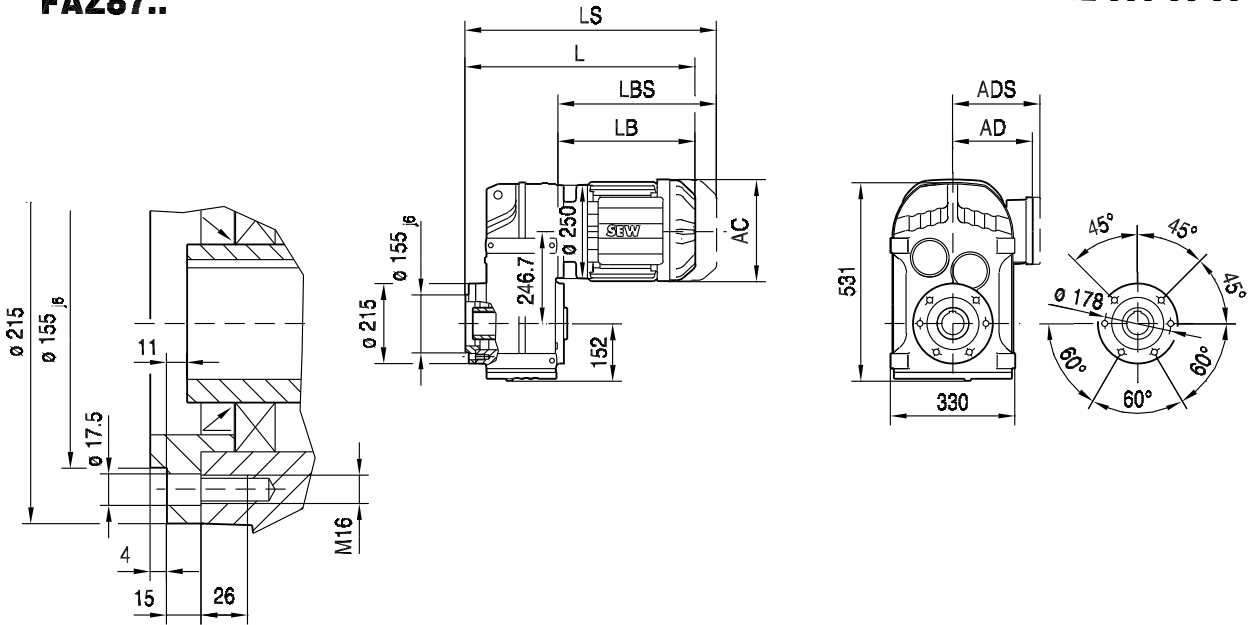


(→ 131)	DR80S	DR80M	DR90M	DR90L	DR100M	DR100L/LC	DR132S	DR132M/MC	DR160..	DR180S/M	DR180L/LC
AC	156	156	179	179	197	197	221	221	270	316	316
AD	128	128	140	140	157	157	170	170	228	253	253
ADS	139	139	150	150	158	158	172	172	228	253	253
L	442	473	475	495	525	555	598	648	689	758	818
LS	523	554	568	588	618	648	710	760	826	947	1007
LB	218	249	251	271	301	331	374	424	465	534	594
LBS	299	330	344	364	394	424	486	536	602	723	783



FAZ87..

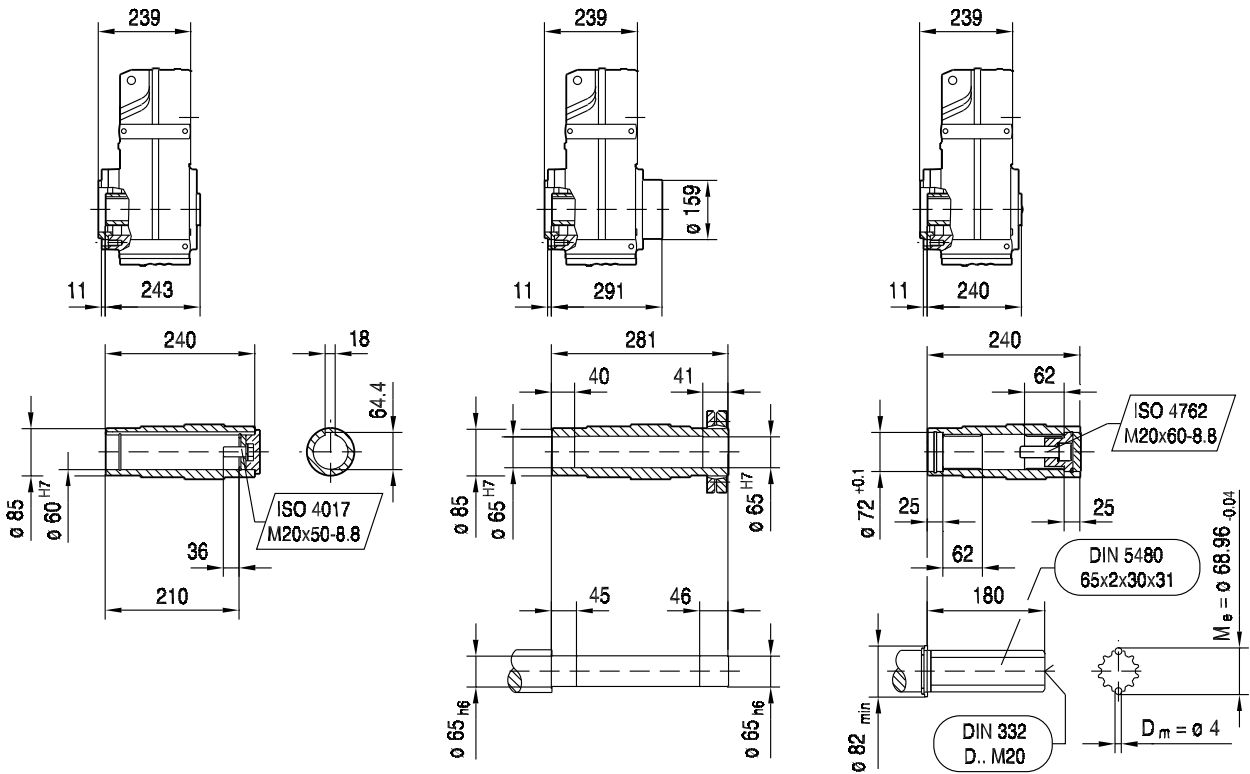
42 099 00 06^L



FAZ87..

FHZ87..

FVZ87..

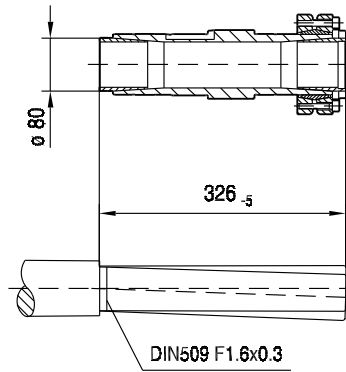
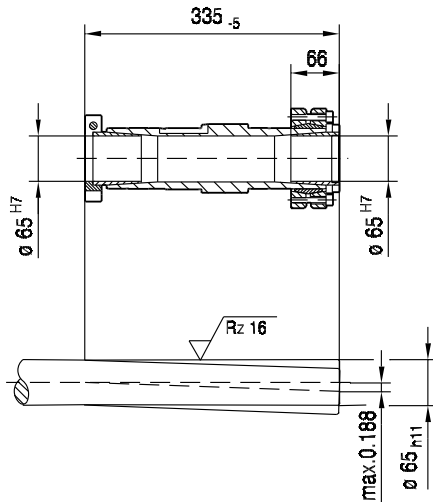
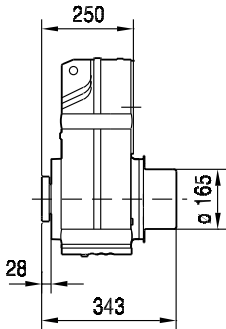
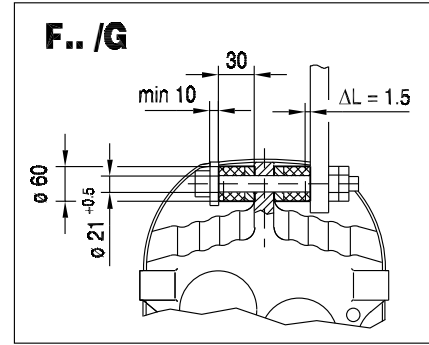
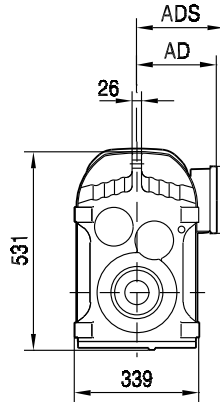
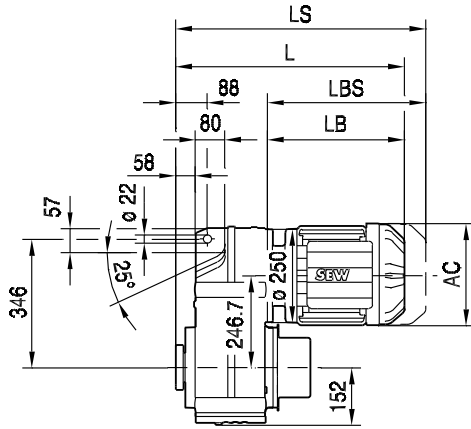


(→ 131)	DR80S	DR80M	DR90M	DR90L	DR100M	DR100L/LC	DR132S	DR132M/MC	DR160..	DR180S/M	DR180L/LC
AC	156	156	179	179	197	197	221	221	270	316	316
AD	128	128	140	140	157	157	170	170	228	253	253
ADS	139	139	150	150	158	158	172	172	228	253	253
L	457	488	490	510	540	570	613	663	704	773	833
LS	538	569	583	603	633	663	725	775	841	962	1022
LB	218	249	251	271	301	331	374	424	465	534	594
LBS	299	330	344	364	394	424	486	536	602	723	783

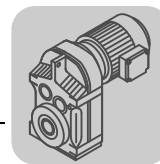


FT87..

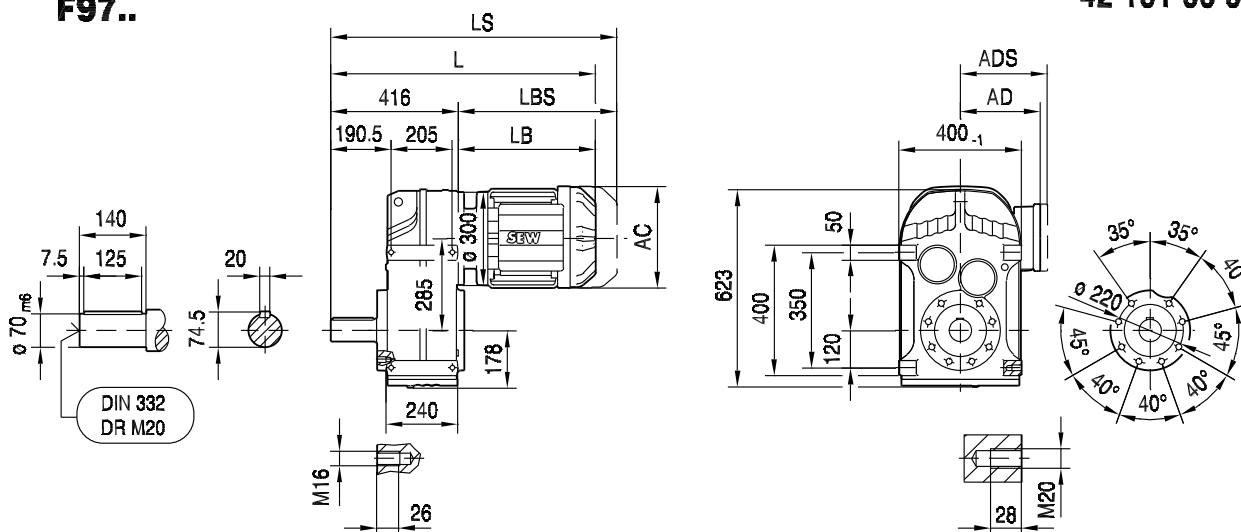
42 100 00 06



(→ 131)	DR80S	DR80M	DR90M	DR90L	DR100M	DR100L/LC	DR132S	DR132M/MC	DR160..	DR180S/M	DR180L/LC
AC	156	156	179	179	197	197	221	221	270	316	316
AD	128	128	140	140	157	157	170	170	228	253	253
ADS	139	139	150	150	158	158	172	172	228	253	253
L	468	499	501	521	551	581	624	674	715	784	844
LS	549	580	594	614	644	674	736	786	852	973	1033
LB	218	249	251	271	301	331	374	424	465	534	594
LBS	299	330	344	364	394	424	486	536	602	723	783

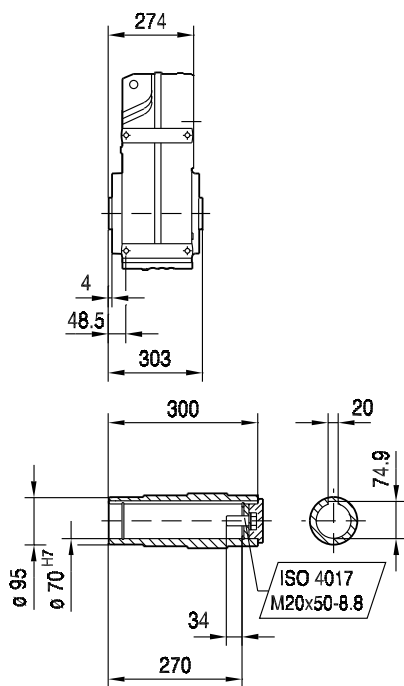


F97..

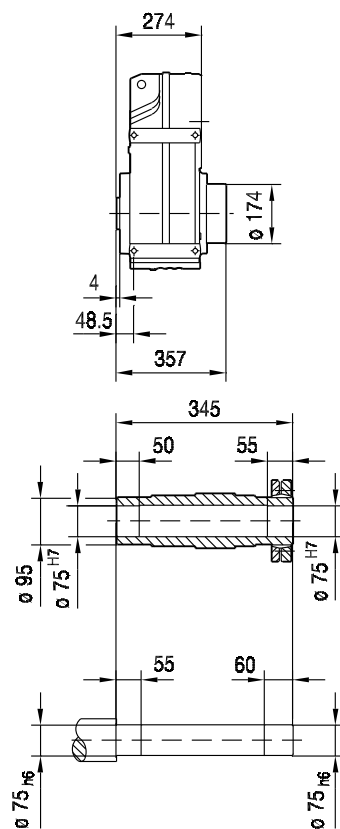


42 101 00 06^L

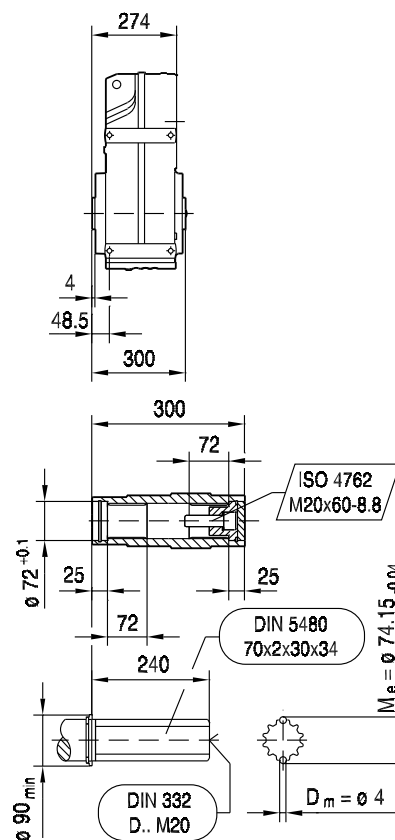
FA97B..



FH97B..

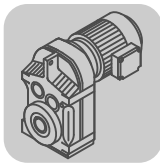


FV97B..

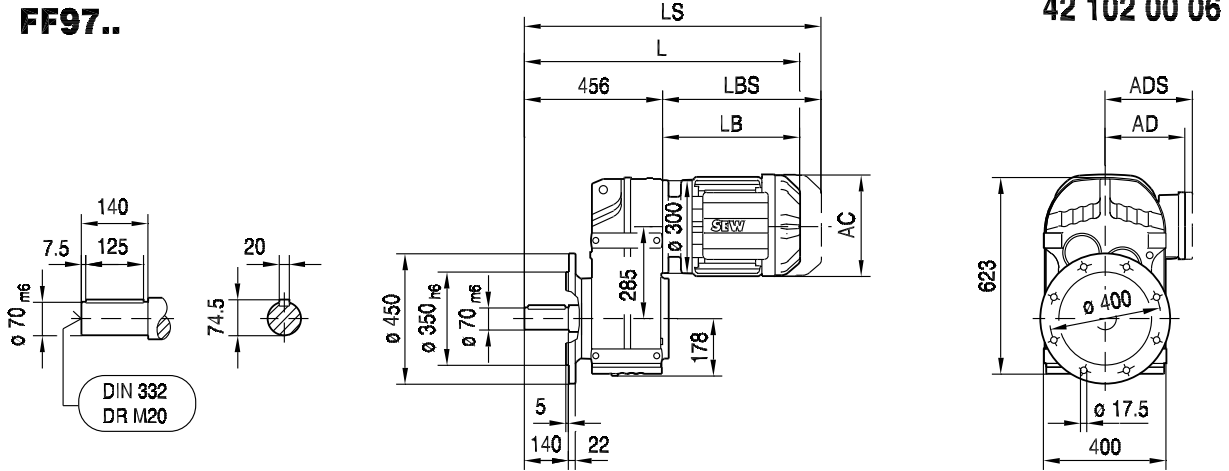


10

(→ 131)	DR80M	DR90M	DR90L	DR100M	DR100L/LC	DR132S	DR132M/MC	DR160..	DR180S/M	DR180L/LC
AC	156	179	179	197	197	221	221	270	316	316
AD	128	140	140	157	157	170	170	228	253	253
ADS	139	150	150	158	158	172	172	228	253	253
L	660	662	682	712	742	785	835	876	945	1005
LS	741	755	775	805	835	897	947	1013	1134	1194
LB	244	246	266	296	326	369	419	460	529	589
LBS	325	339	359	389	419	481	531	597	718	778

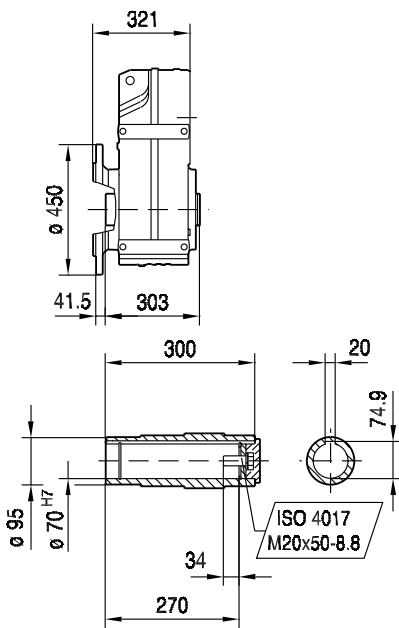


FF97..

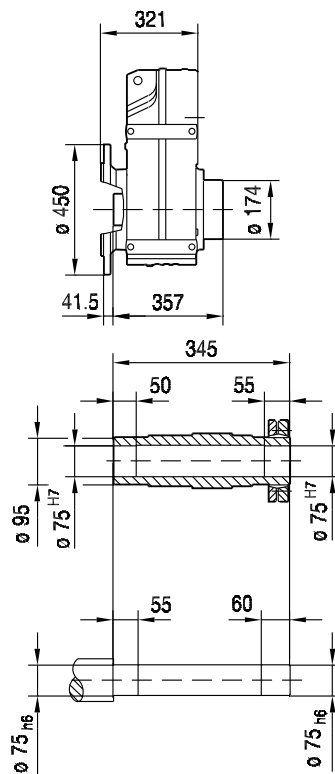


42 102 00 06

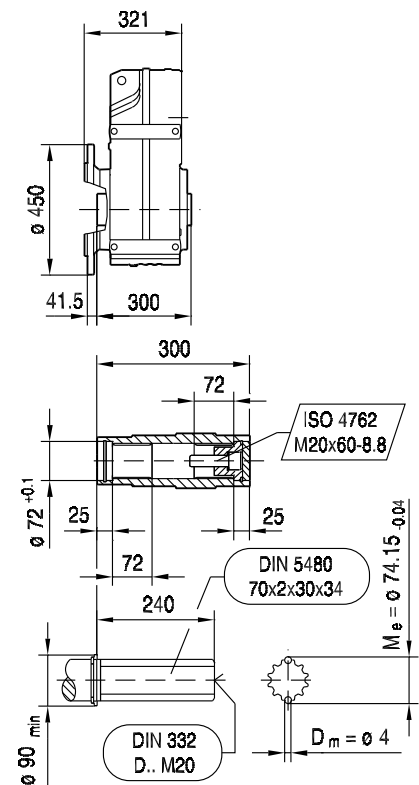
FAF97..



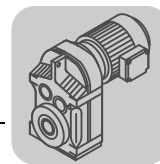
FHF97..



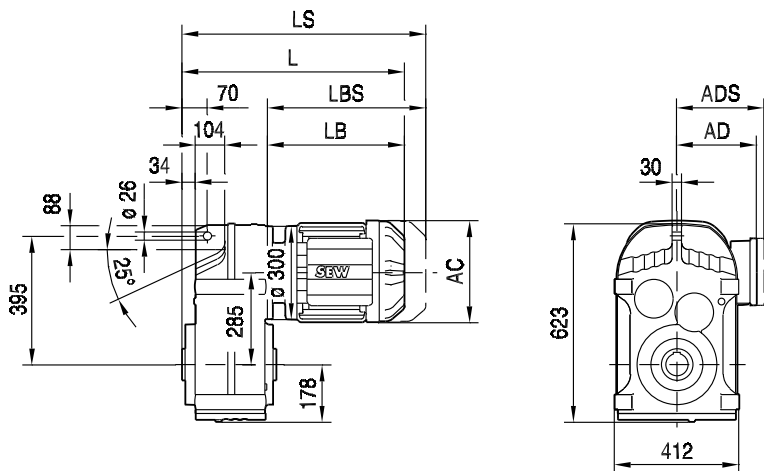
FVF97..



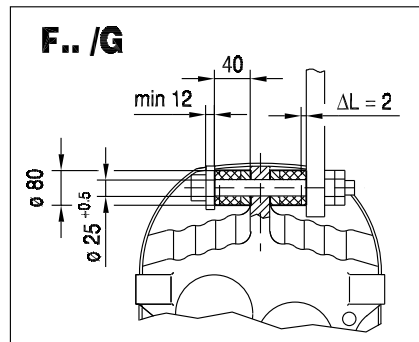
(→ 131)	DR80M	DR90M	DR90L	DR100M	DR100L/LC	DR132S	DR132M/MC	DR160..	DR180S/M	DR180L/LC
AC	156	179	179	197	197	221	221	270	316	316
AD	128	140	140	157	157	170	170	228	253	253
ADS	139	150	150	158	158	172	172	228	253	253
L	700	702	722	752	782	825	875	916	985	1045
LS	781	795	815	845	875	937	987	1053	1174	1234
LB	244	246	266	296	326	369	419	460	529	589
LBS	325	339	359	389	419	481	531	597	718	778



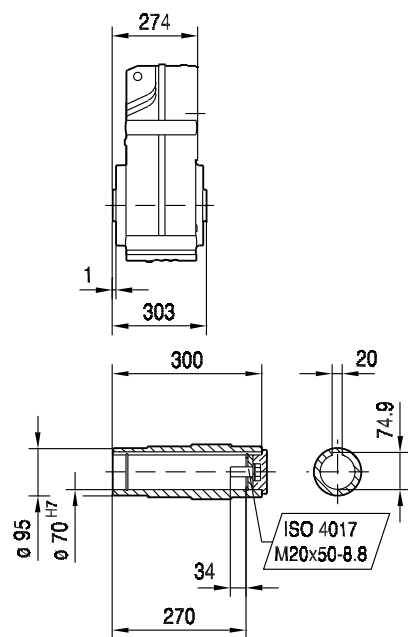
FA97..



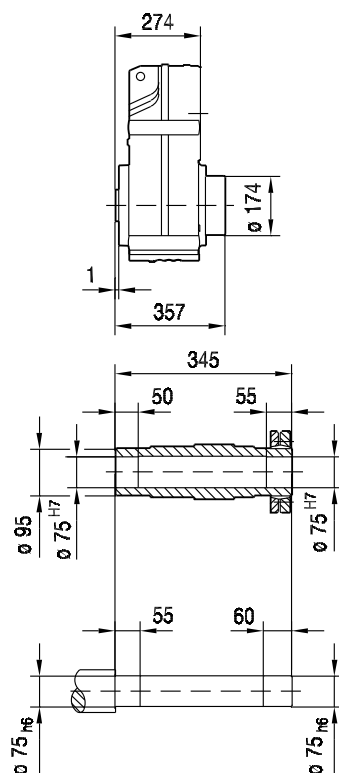
42 103 00 06



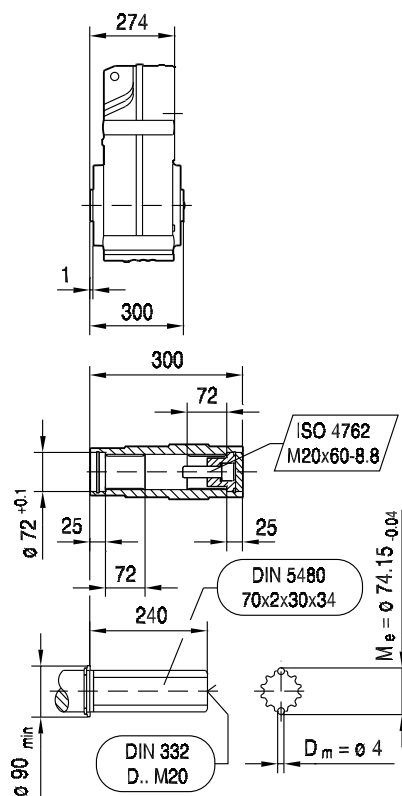
FA97..



FH97..

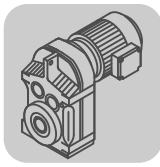


FV97..

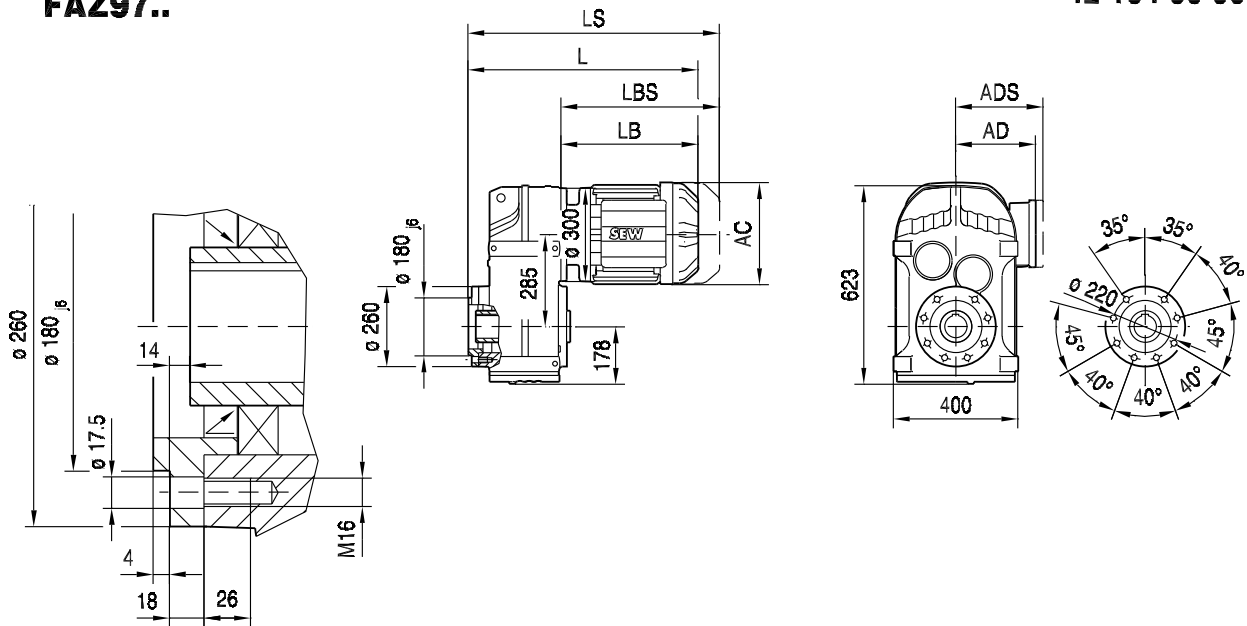


10

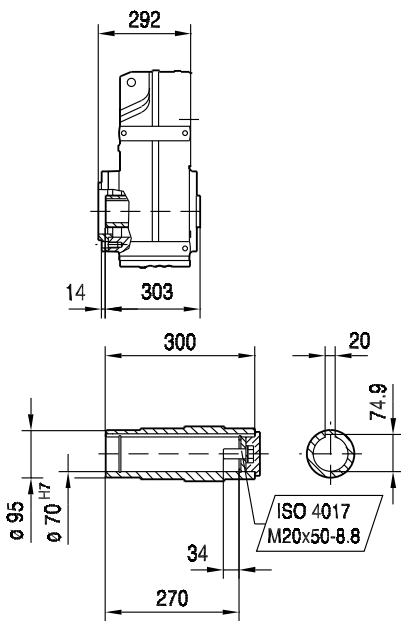
(→ 131)	DR80M	DR90M	DR90L	DR100M	DR100L/LC	DR132S	DR132M/MC	DR160..	DR180S/M	DR180L/LC
AC	156	179	179	197	197	221	221	270	316	316
AD	128	140	140	157	157	170	170	228	253	253
ADS	139	150	150	158	158	172	172	228	253	253
L	518	520	540	570	600	643	693	734	803	863
LS	599	613	633	663	693	755	805	871	992	1052
LB	244	246	266	296	326	369	419	460	529	589
LBS	325	339	359	389	419	481	531	597	718	778



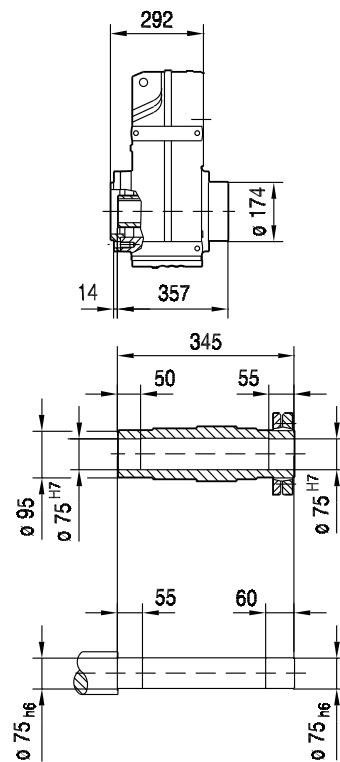
FAZ97..



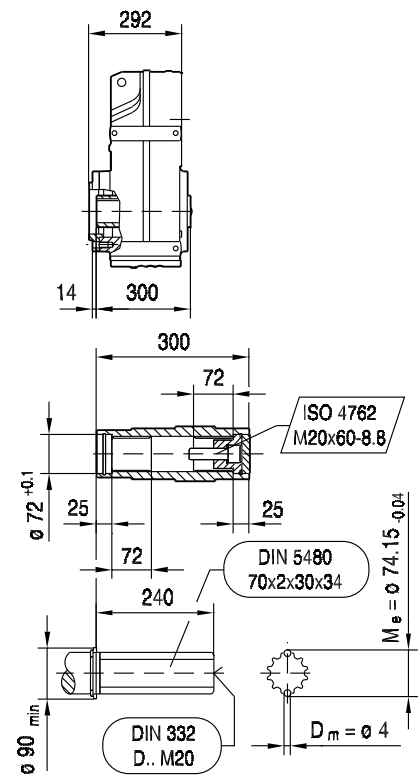
FAZ97..



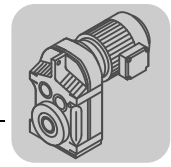
FHZ97..



FVZ97..

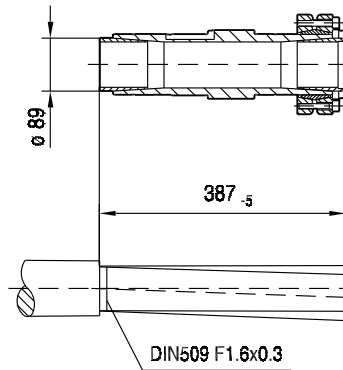
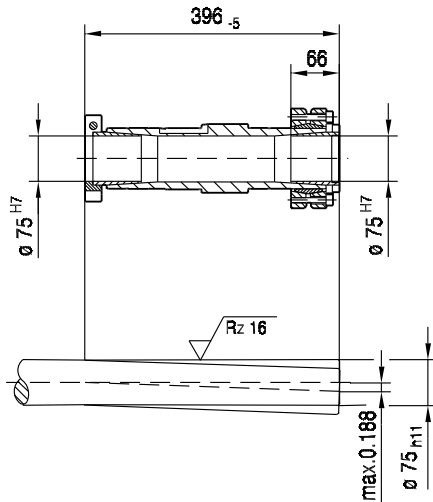
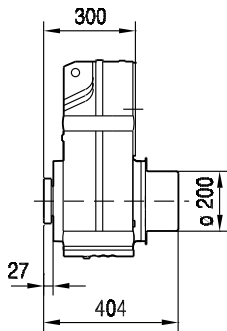
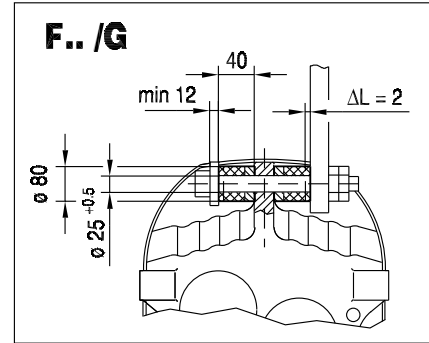
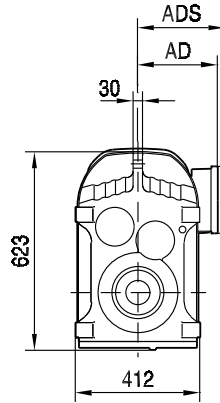
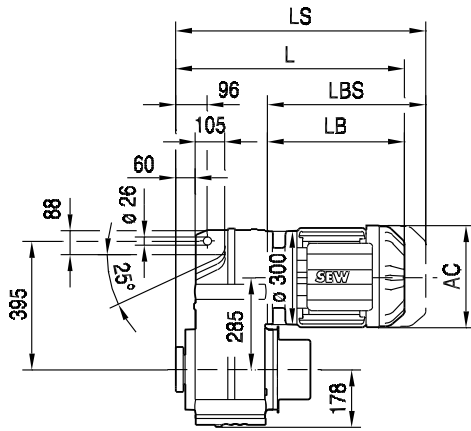


(→ 131)	DR80M	DR90M	DR90L	DR100M	DR100L/LC	DR132S	DR132M/MC	DR160..	DR180S/M	DR180L/LC
AC	156	179	179	197	197	221	221	270	316	316
AD	128	140	140	157	157	170	170	228	253	253
ADS	139	150	150	158	158	172	172	228	253	253
L	536	538	558	588	618	661	711	752	821	881
LS	617	631	651	681	711	773	823	889	1010	1070
LB	244	246	266	296	326	369	419	460	529	589
LBS	325	339	359	389	419	481	531	597	718	778

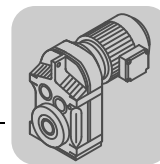
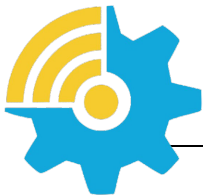


FT97..

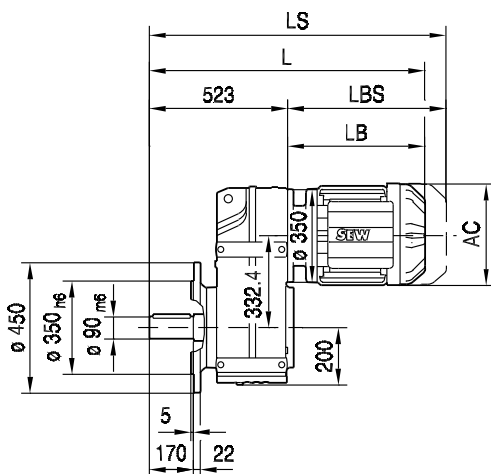
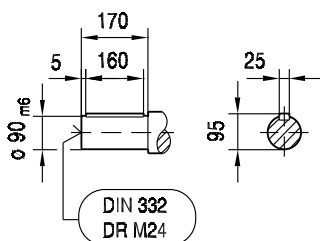
42 105 00 06^L



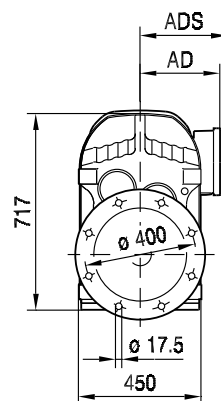
(→ 131)	DR80M	DR90M	DR90L	DR100M	DR100L/LC	DR132S	DR132M/MC	DR160..	DR180S/M	DR180L/LC
AC	156	179	179	197	197	221	221	270	316	316
AD	128	140	140	157	157	170	170	228	253	253
ADS	139	150	150	158	158	172	172	228	253	253
L	544	546	566	596	626	669	719	760	829	889
LS	625	639	659	689	719	781	831	897	1018	1078
LB	244	246	266	296	326	369	419	460	529	589
LBS	325	339	359	389	419	481	531	597	718	778



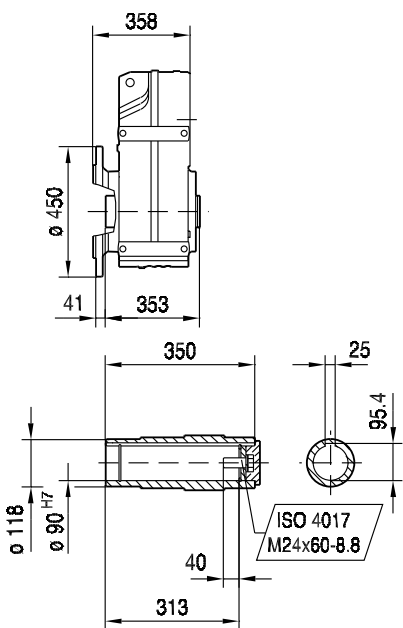
FF107..



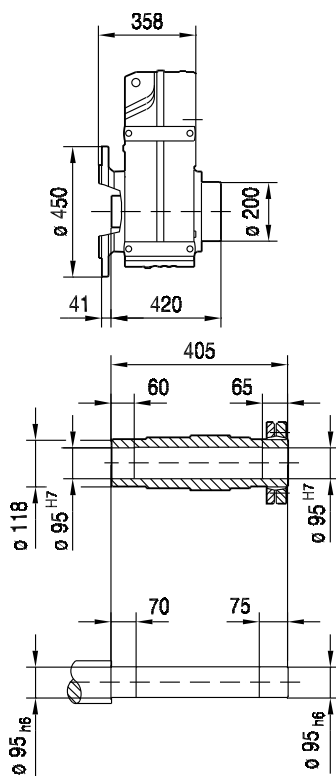
42 107 00 06^L



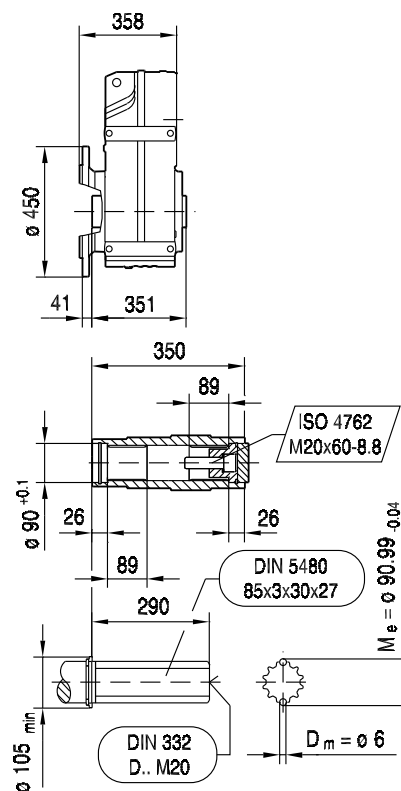
FAF107..



FHF107..



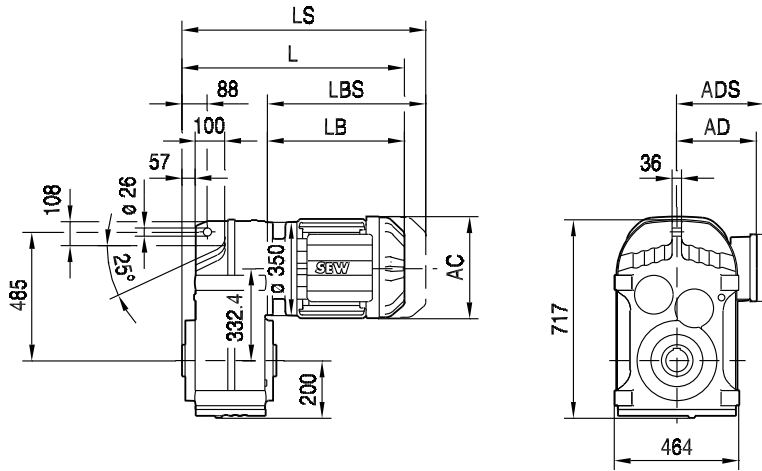
FVF107..



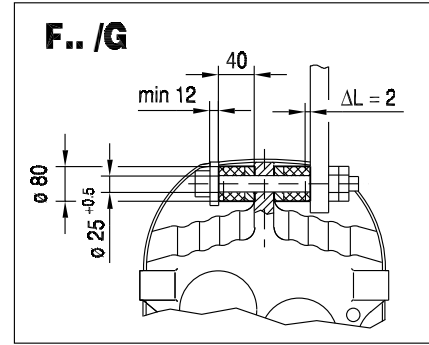
(→ 131)	DR90L	DR100M	DR100L/LC	DR132S	DR132M/MC	DR160..	DR180S/M	DR180L/LC	DR225S	DR225M/MC
AC	179	197	197	221	221	270	316	316	394	394
AD	140	157	157	170	170	228	253	253	283	283
ADS	150	158	158	172	172	228	253	253	283	283
L	783	813	843	886	936	977	1046	1106	1179	1229
LS	876	906	936	998	1048	1114	1235	1295	1384	1434
LB	260	290	320	363	413	454	523	583	656	706
LBS	353	383	413	475	525	591	712	772	861	911



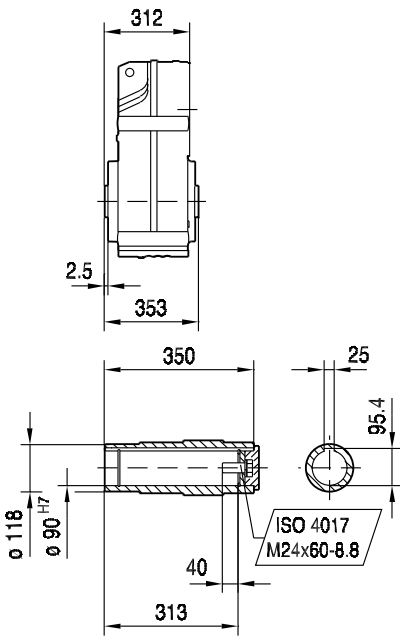
FA107..



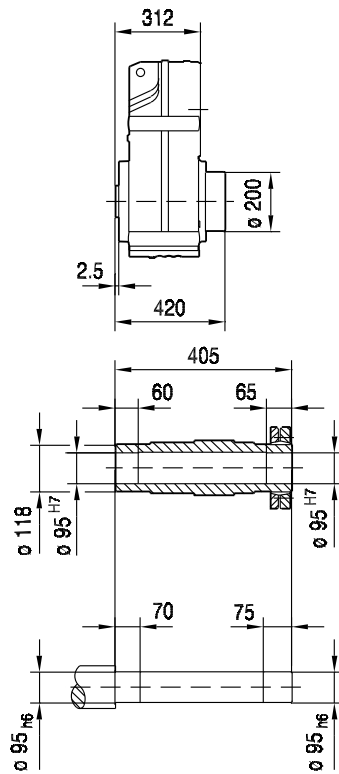
42 108 00 06



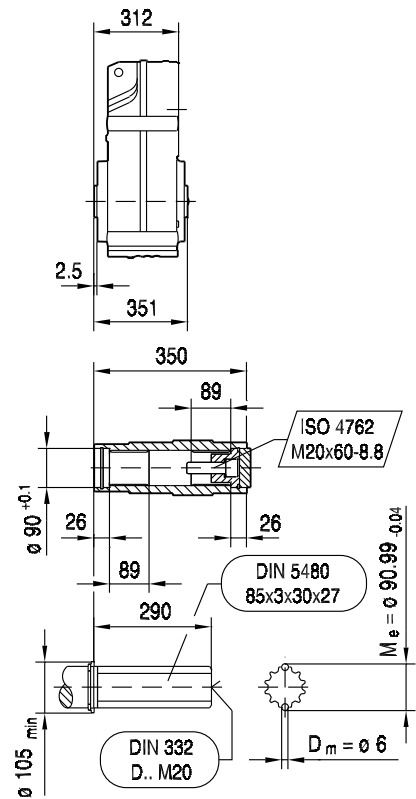
FA107..



FH107..



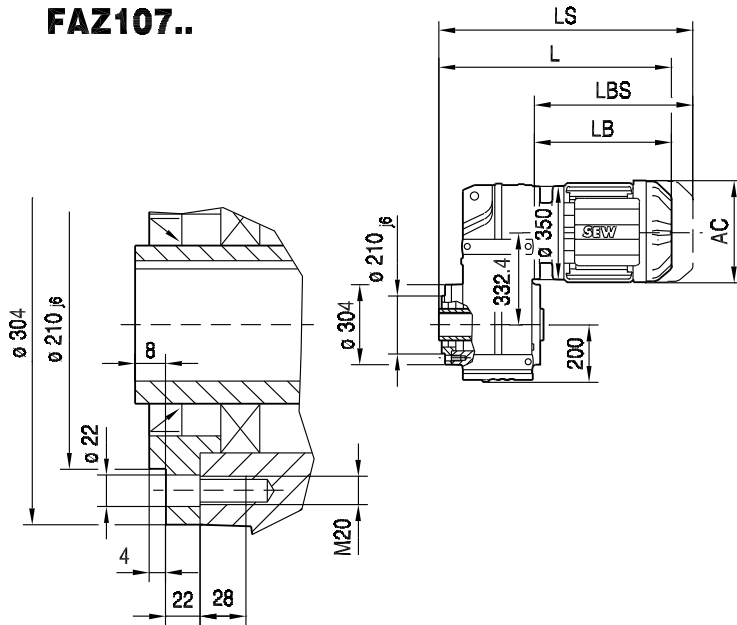
FV107..



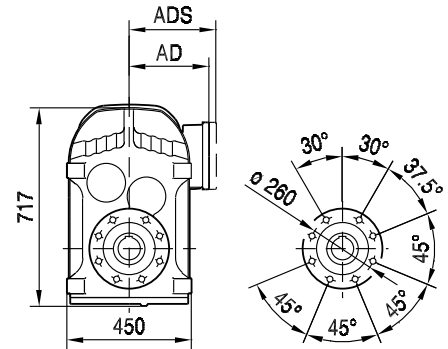
(→ 131)	DR90L	DR100M	DR100L/LC	DR132S	DR132M/MC	DR160..	DR180S/M	DR180L/LC	DR225S	DR225M/MC
AC	179	197	197	221	221	270	316	316	394	394
AD	140	157	157	170	170	228	253	253	283	283
ADS	150	158	158	172	172	228	253	253	283	283
L	572	602	632	675	725	766	835	895	968	1018
LS	665	695	725	787	837	903	1024	1084	1173	1223
LB	260	290	320	363	413	454	523	583	656	706
LBS	353	383	413	475	525	591	712	772	861	911



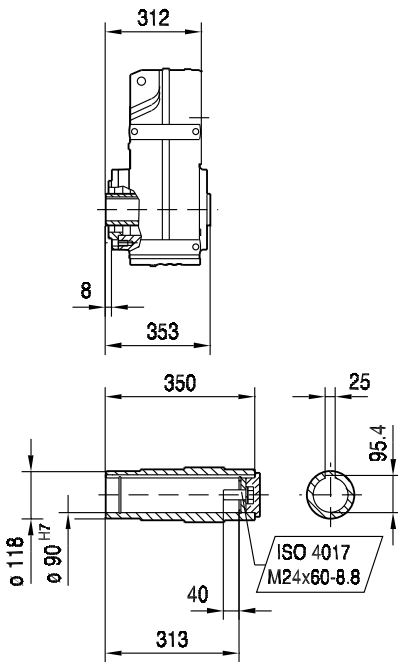
FAZ107..



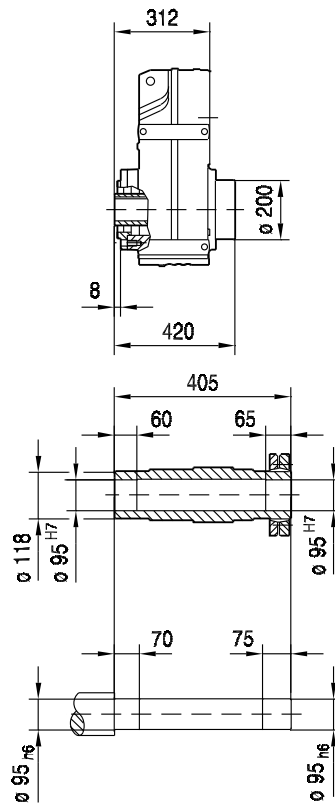
42 109 00 06



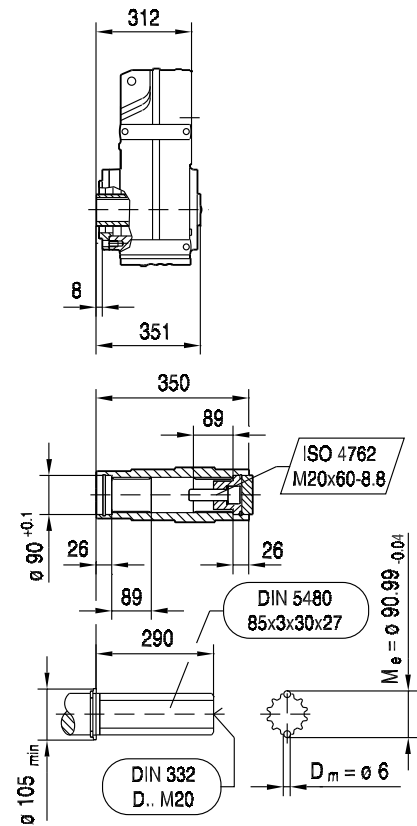
FAZ107..



FHZ107..

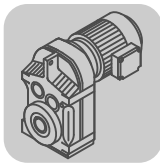


FVZ107..

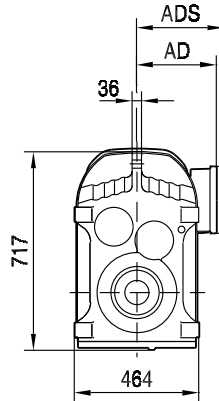
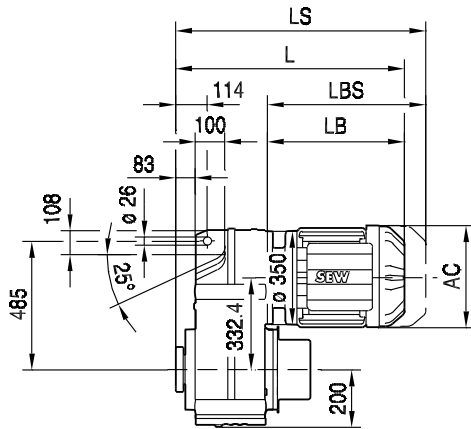


10

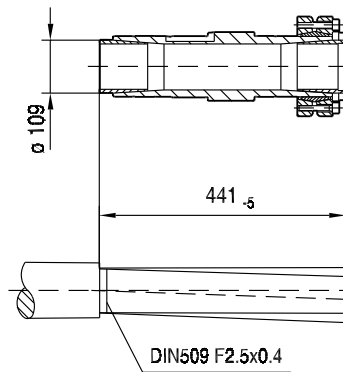
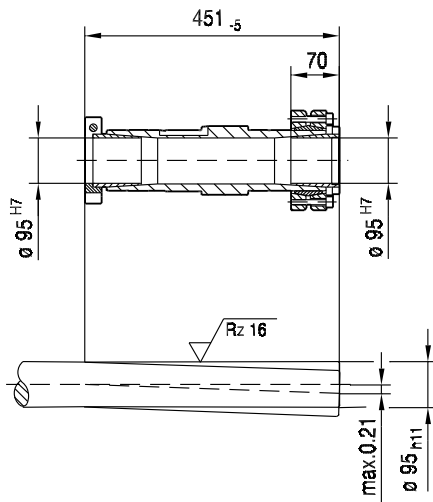
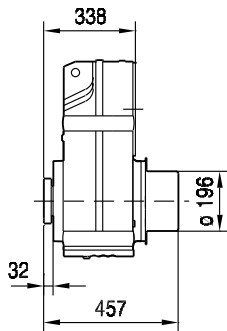
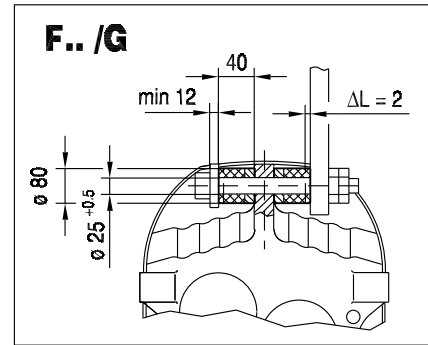
(→ 131)	DR90L	DR100M	DR100L/LC	DR132S	DR132M/MC	DR160..	DR180S/M	DR180L/LC	DR225S	DR225M/MC
AC	179	197	197	221	221	270	316	316	394	394
AD	140	157	157	170	170	228	253	253	283	283
ADS	150	158	158	172	172	228	253	253	283	283
L	572	602	632	675	725	766	835	895	968	1018
LS	665	695	725	787	837	903	1024	1084	1173	1223
LB	260	290	320	363	413	454	523	583	656	706
LBS	353	383	413	475	525	591	712	772	861	911



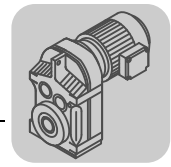
FT107..



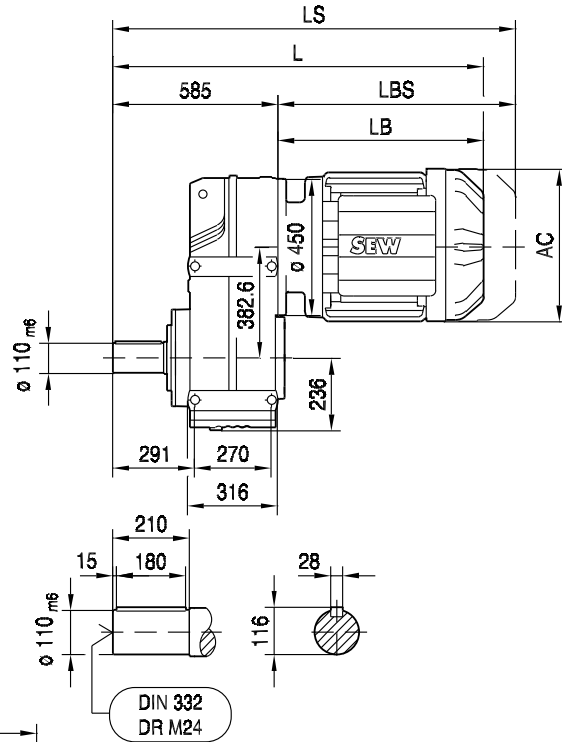
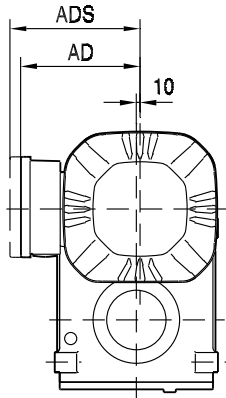
42 110 00 06



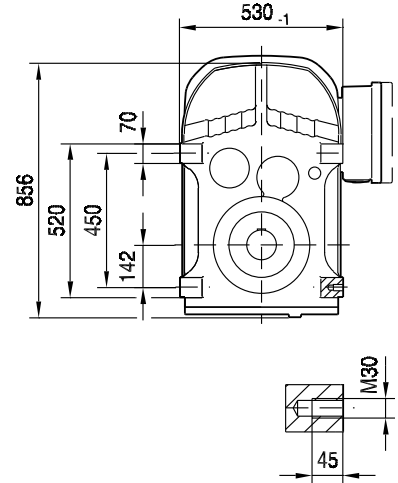
(→ 131)	DR90L	DR100M	DR100L/LC	DR132S	DR132M/MC	DR160..	DR180S/M	DR180L/LC	DR225S	DR225M/MC
AC	179	197	197	221	221	270	316	316	394	394
AD	140	157	157	170	170	228	253	253	283	283
ADS	150	158	158	172	172	228	253	253	283	283
L	598	628	658	701	751	792	861	921	994	1044
LS	691	721	751	813	863	929	1050	1110	1199	1249
LB	260	290	320	363	413	454	523	583	656	706
LBS	353	383	413	475	525	591	712	772	861	911



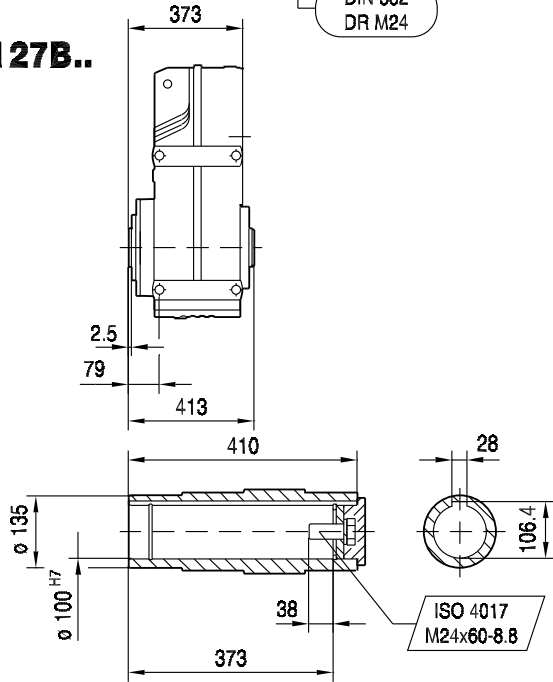
F127..



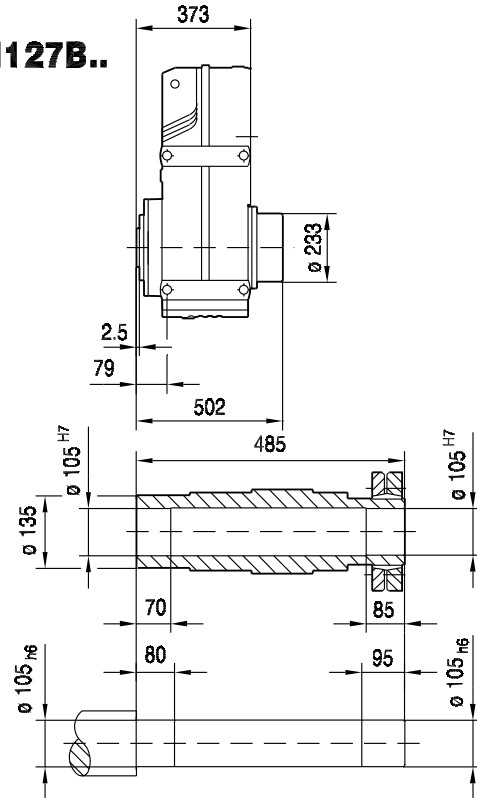
42 111 00 06



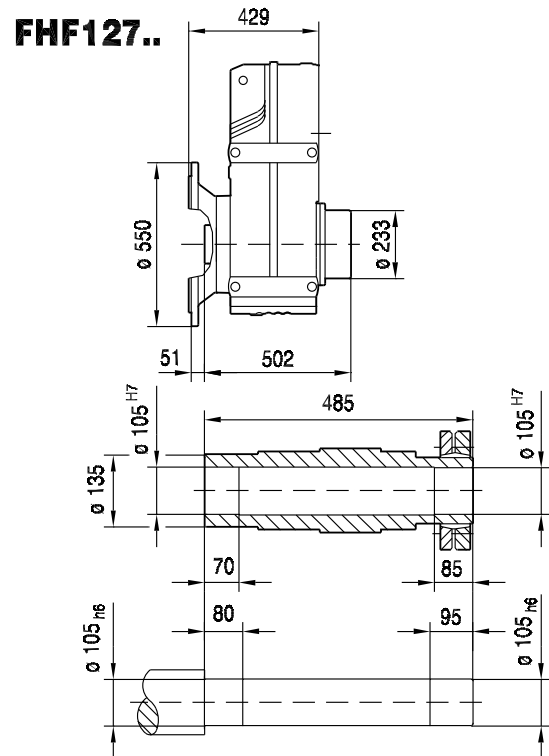
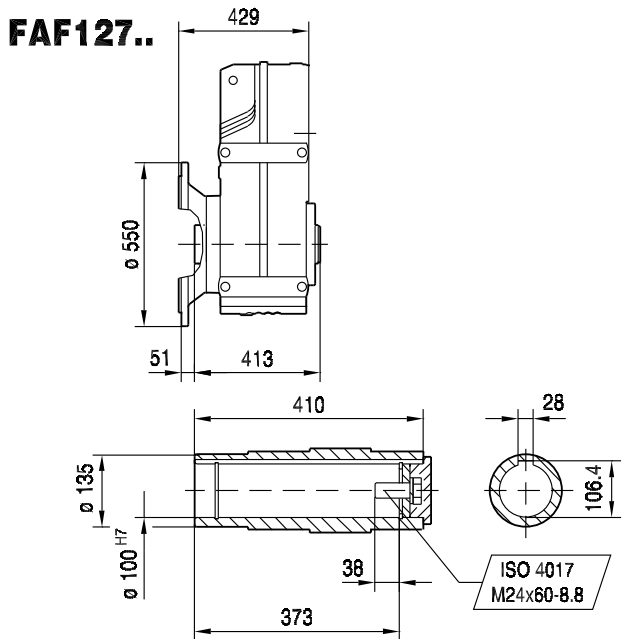
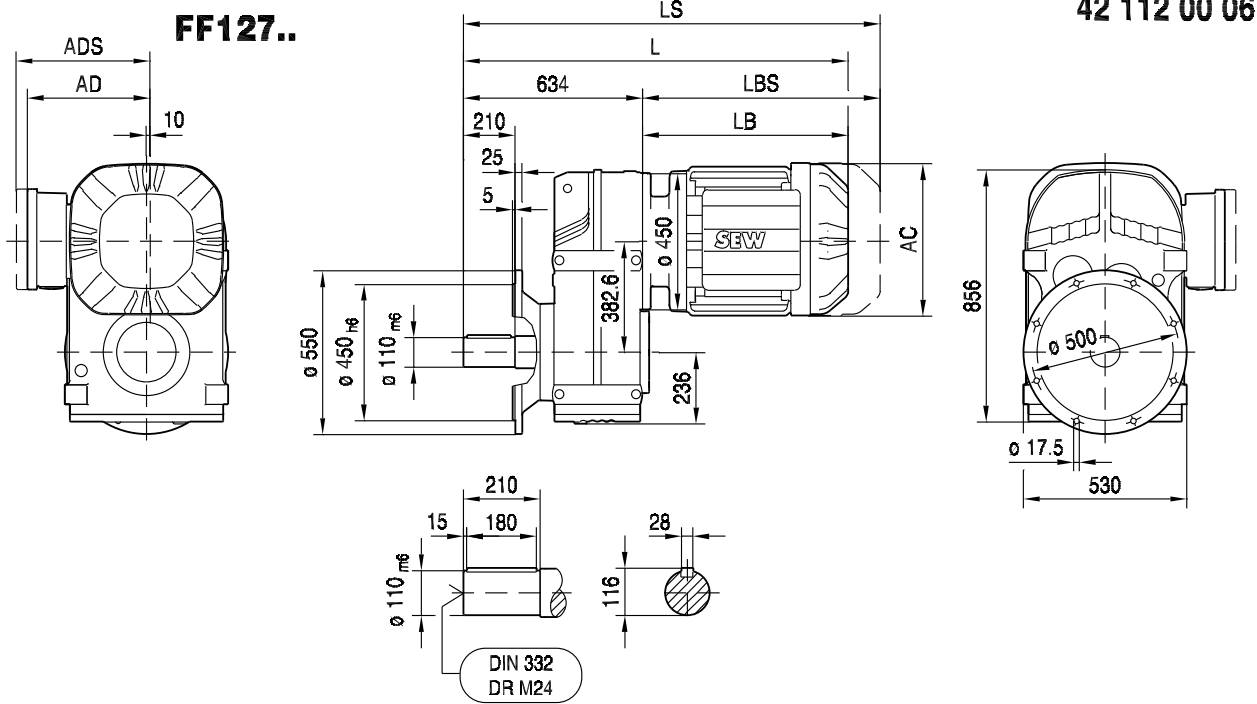
FA127B..



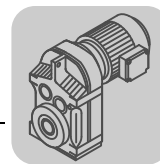
FH127B..



(→ 131)	DR132M/MC	DR160..	DR180S/M	DR180L/LC	DR225S	DR225M/MC	DV280..	
AC	221	270	316	316	394	394	510	
AD	170	228	253	253	283	283	397	
ADS	172	228	253	253	283	283	397	
L	983	1024	1093	1153	1226	1276	1365	
LS	1095	1161	1282	1342	1431	1481	1550	
LB	398	439	508	568	641	691	780	
LBS	510	576	697	757	846	896	965	

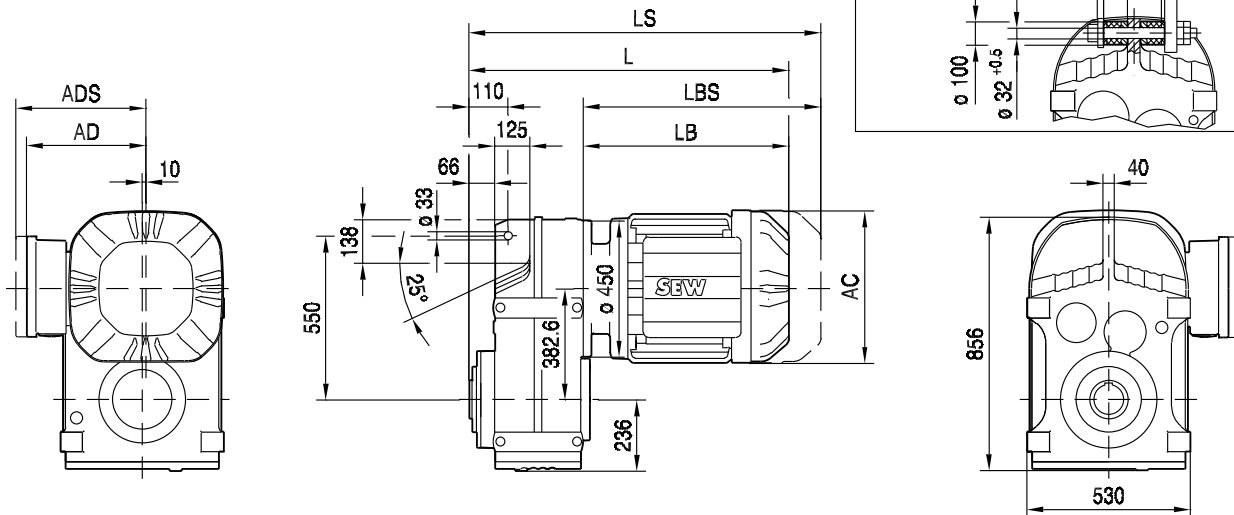


(→ 131)	DR132M/MC	DR160..	DR180S/M	DR180L/LC	DR225S	DR225M/MC	DV280..
AC	221	270	316	316	394	394	510
AD	170	228	253	253	283	283	397
ADS	172	228	253	253	283	283	397
L	1032	1073	1142	1202	1275	1325	1414
LS	1144	1210	1331	1391	1480	1530	1599
LB	398	439	508	568	641	691	780
LBS	510	576	697	757	846	896	965

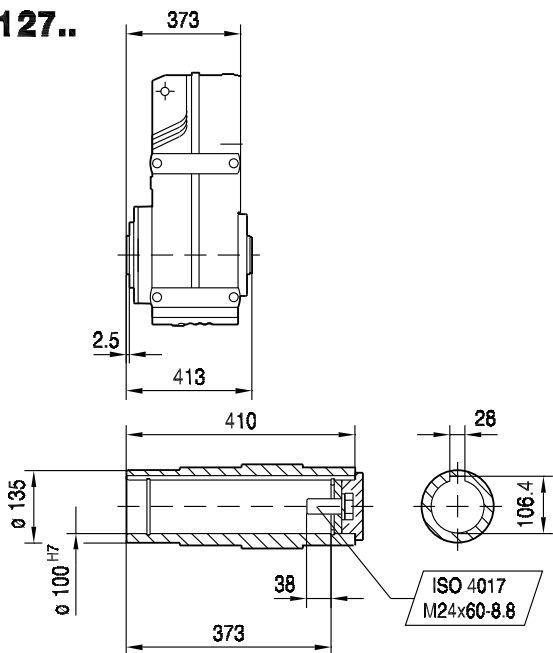


FA127..

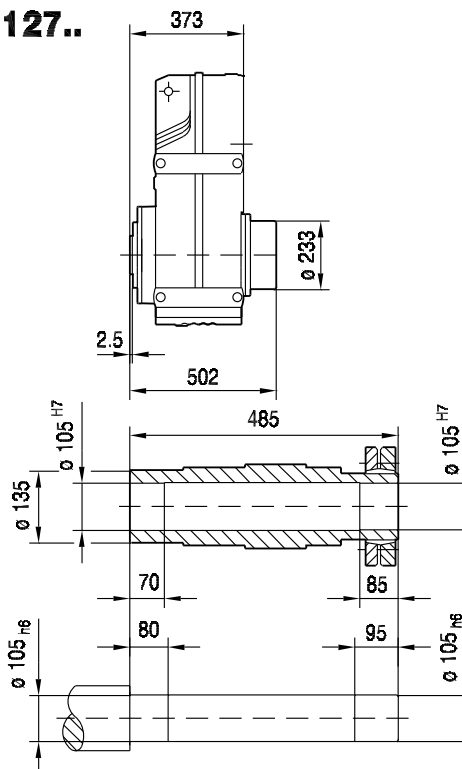
42 113 00 06



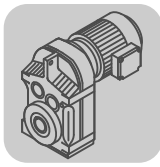
FA127..



FH127..

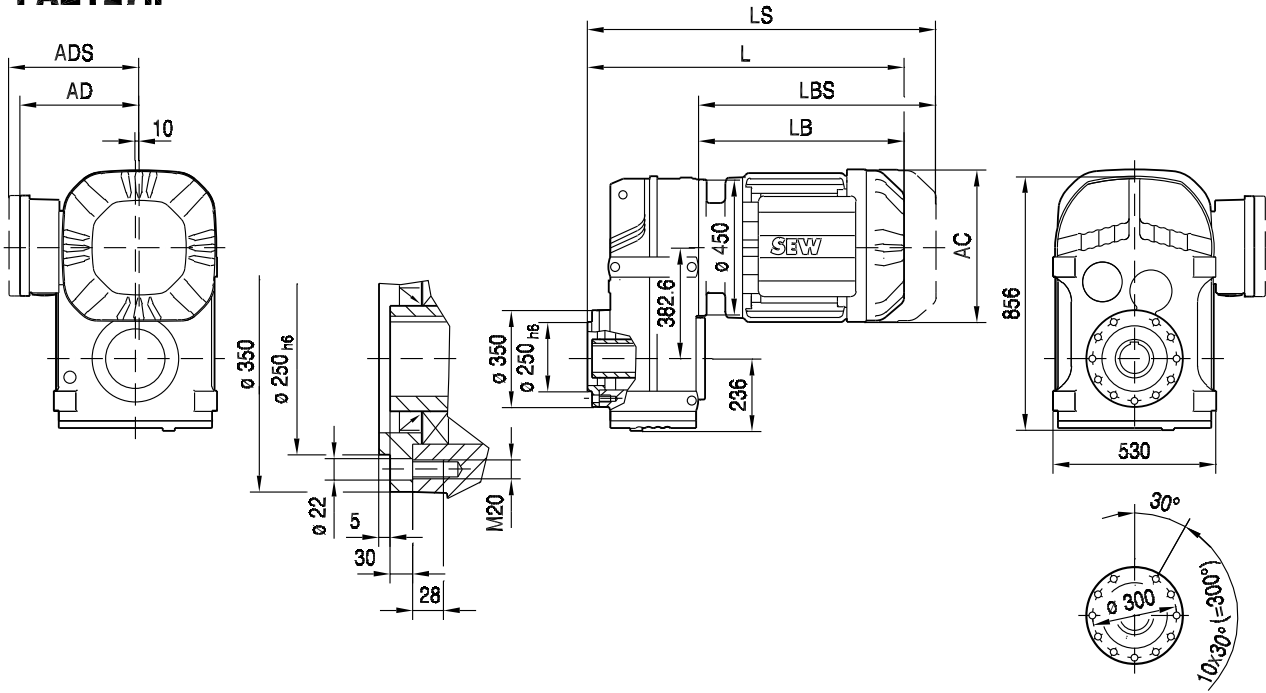


(→ 131)	DR132M/MC	DR160..	DR180S/M	DR180L/LC	DR225S	DR225M/MC	DV280..
AC	221	270	316	316	394	394	510
AD	170	228	253	253	283	283	397
ADS	172	228	253	253	283	283	397
L	771	812	881	941	1014	1064	1153
LS	883	949	1070	1130	1219	1269	1338
LB	398	439	508	568	641	691	780
LBS	510	576	697	757	846	896	965

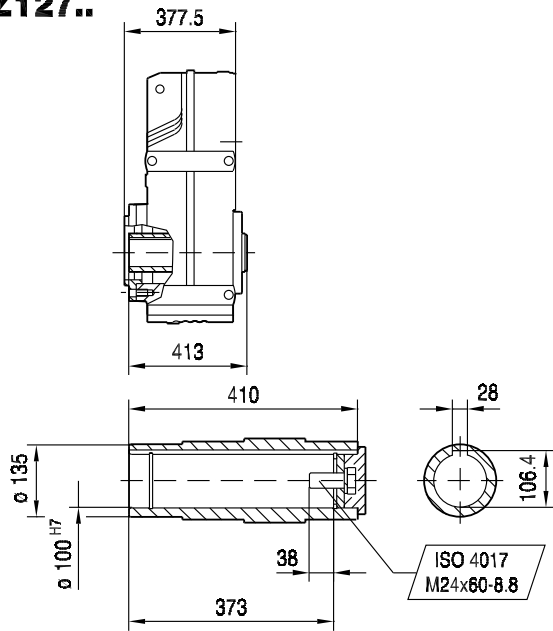


42 114 00 06

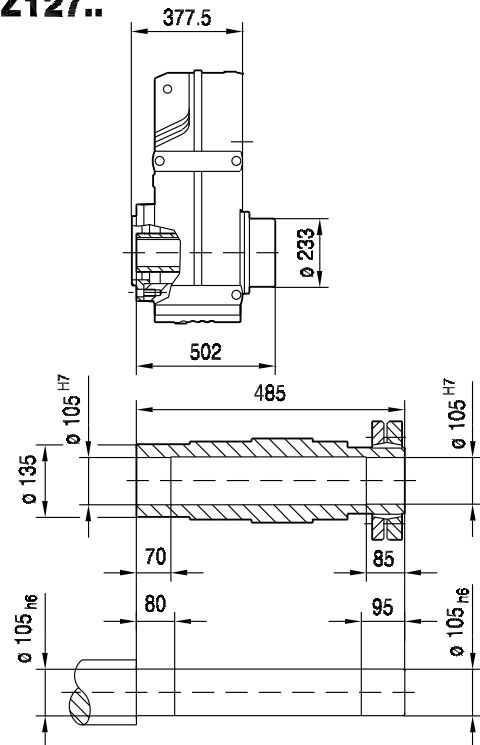
FAZ127..



FAZ127..



FHZ127..

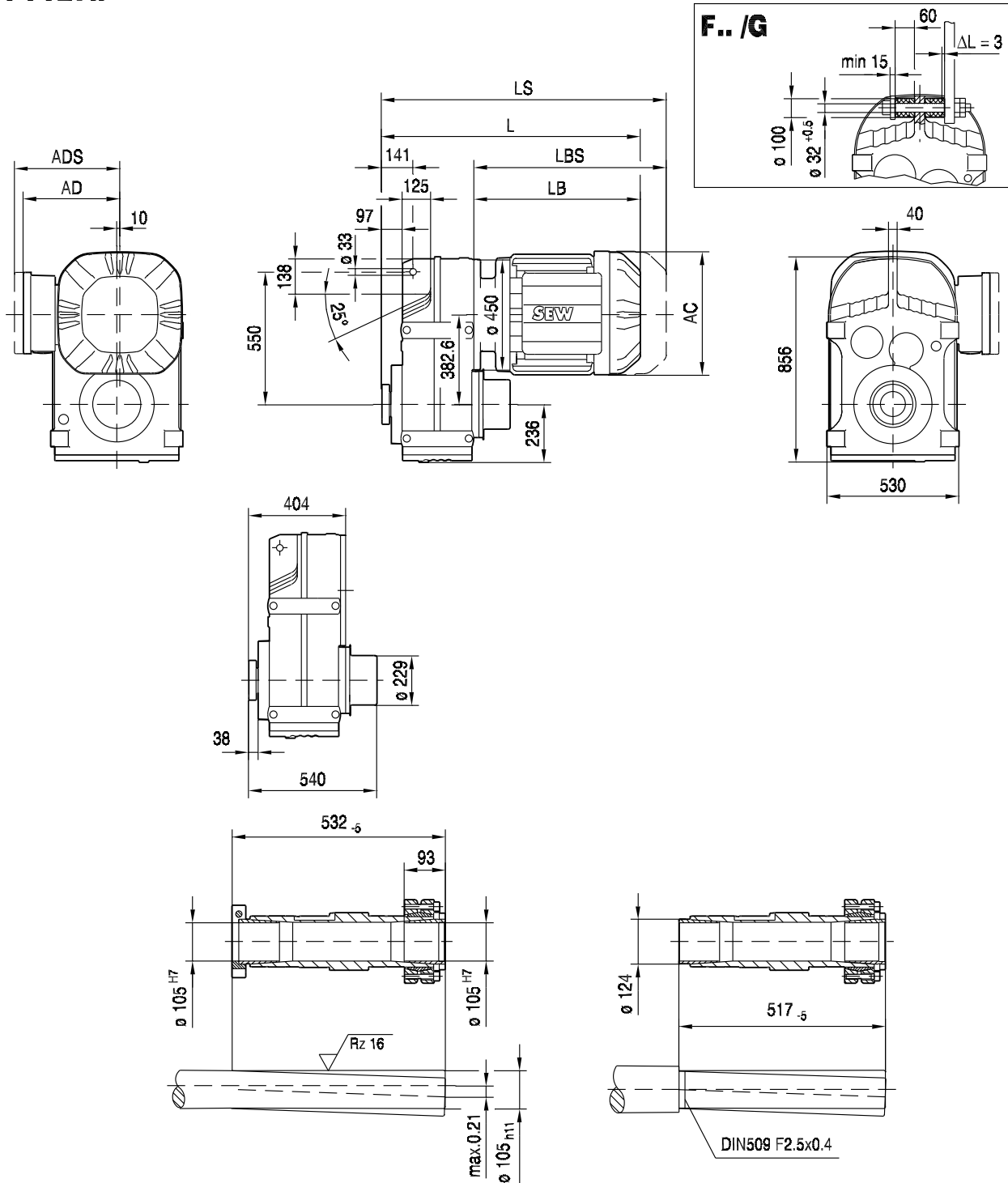


(→ 131)	DR132M/MC	DR160..	DR180S/M	DR180L/LC	DR225S	DR225M/MC	DV280..	
AC	221	270	316	316	394	394	510	
AD	170	228	253	253	283	283	397	
ADS	172	228	253	253	283	283	397	
L	776	817	886	946	1019	1069	1158	
LS	888	954	1075	1135	1224	1274	1342	
LB	398	439	508	568	641	691	780	
LBS	510	576	697	757	846	896	965	



FT127..

42 115 00 06

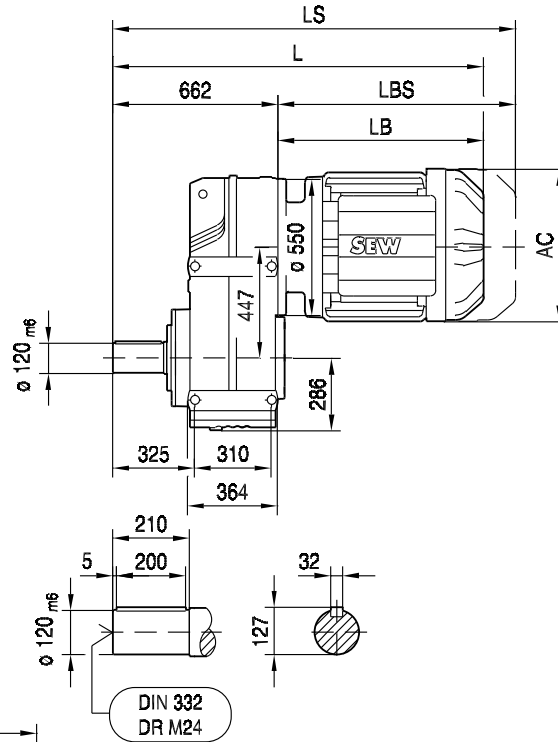
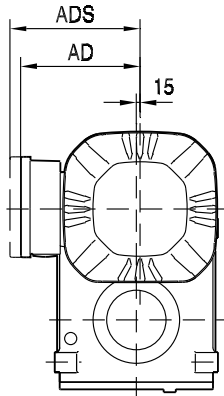


10

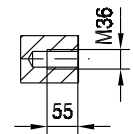
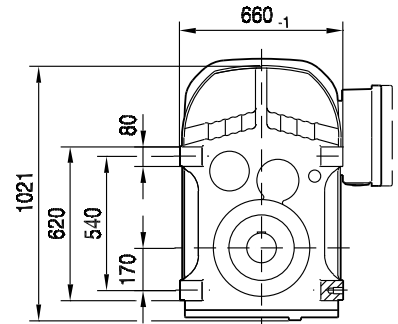
(→ 131)	DR132M/MC	DR160..	DR180S/M	DR180L/LC	DR225S	DR225M/MC	DV280..
AC	221	270	316	316	394	394	510
AD	170	228	253	253	283	283	397
ADS	172	228	253	253	283	283	397
L	802	843	912	972	1045	1095	1184
LS	914	980	1101	1161	1250	1300	1369
LB	398	439	508	568	641	691	780
LBS	510	576	697	757	846	896	965



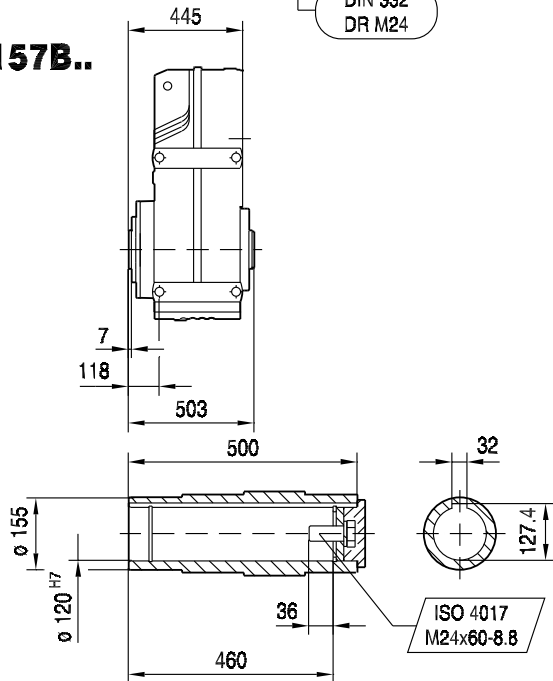
F157..



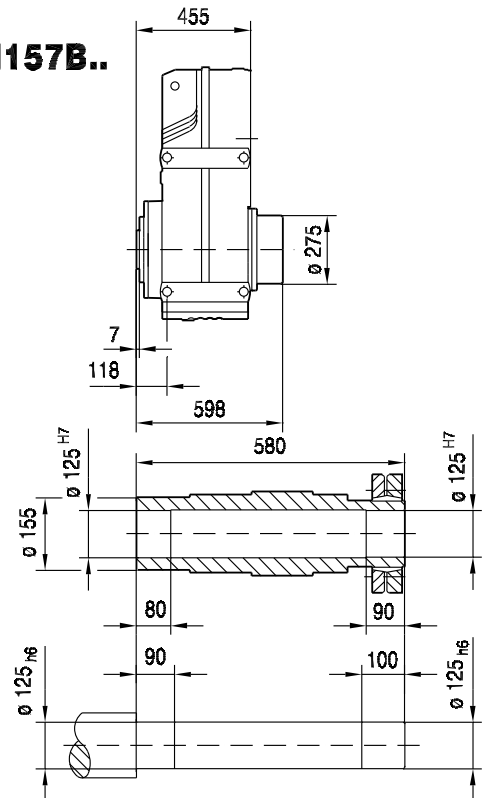
42 116 00 06



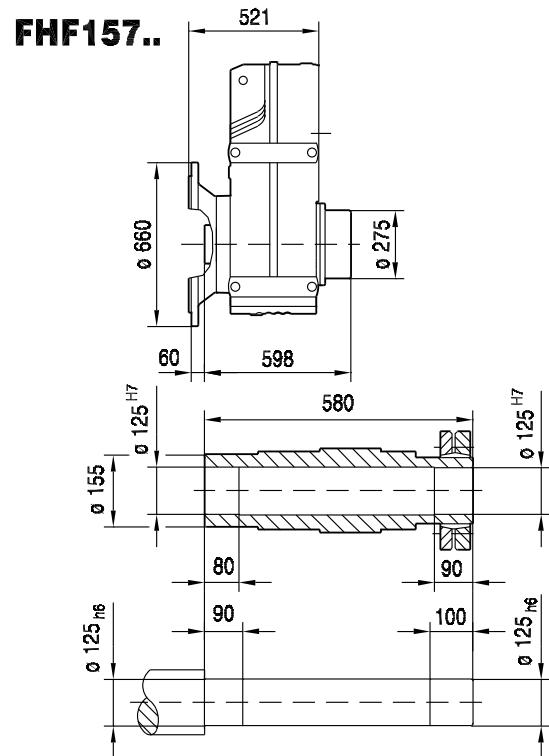
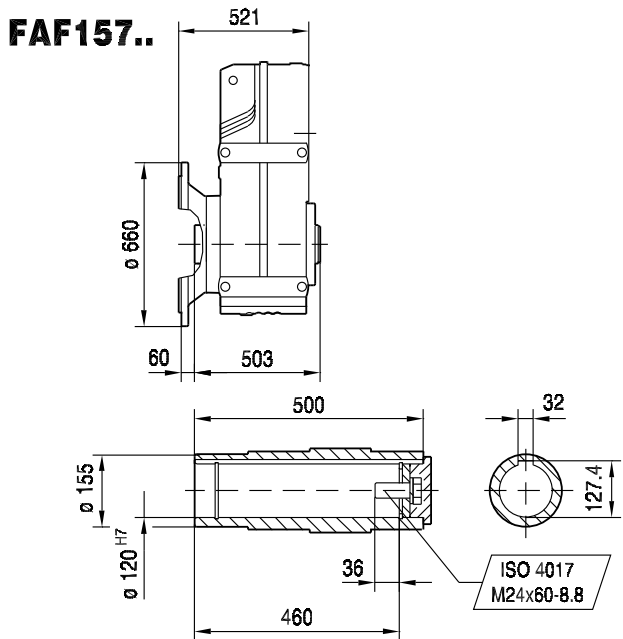
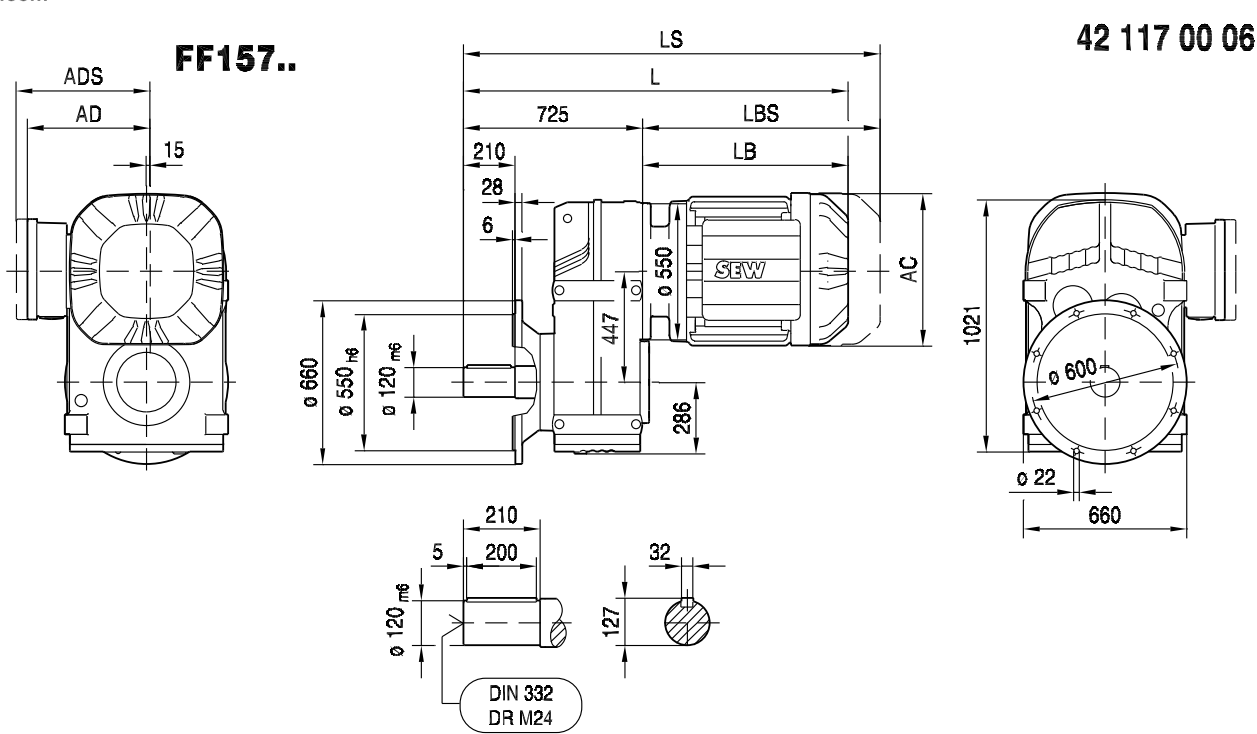
FA157B..



FH157B..

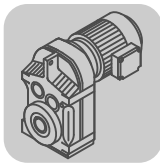


(→ 131)	DR160..	DR180S/M	DR180L/LC	DR225S	DR225M/MC	DV280..	DR315K/S	DR315M/L
AC	270	316	316	394	394	510	624	624
AD	228	253	253	283	283	397	506	521
ADS	228	253	253	283	283	397	506	521
L	1093	1162	1222	1295	1345	1433	1603	1733
LS	1230	1351	1411	1500	1550	1618	1854	1984
LB	431	500	560	633	683	771	941	1071
LBS	568	689	749	838	888	956	1192	1322



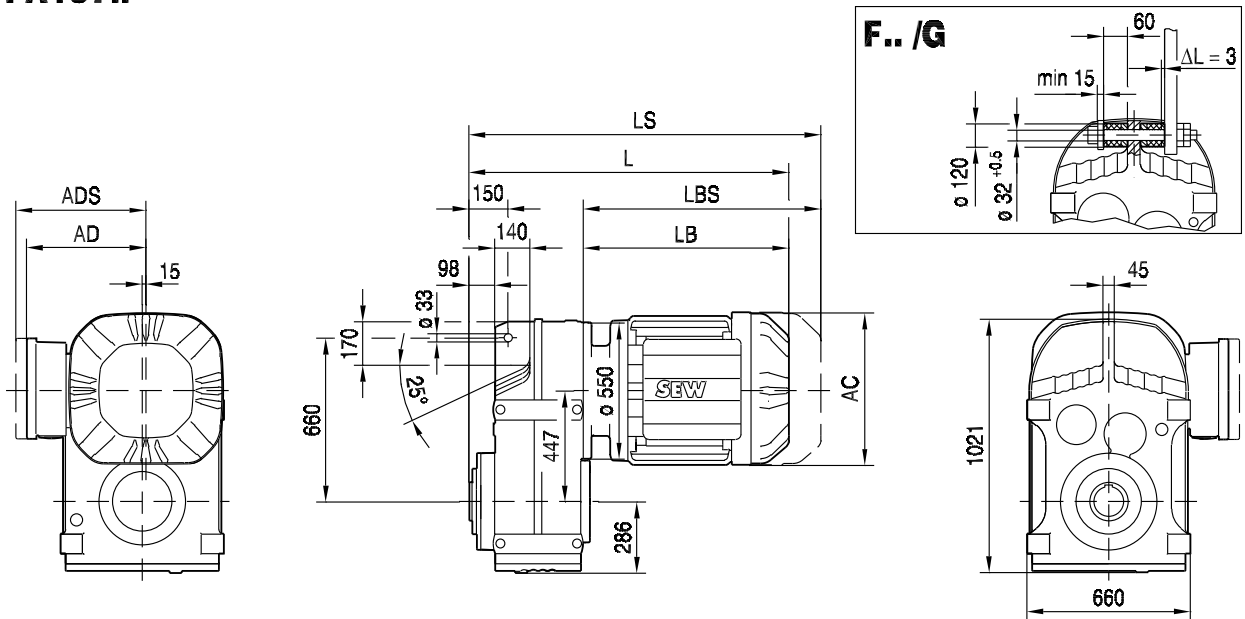
10

(→ 131)	DR160..	DR180S/M	DR180L/LC	DR225S	DR225M/MC	DV280..	DR315K/S	DR315M/L
AC	270	316	316	394	394	510	624	624
AD	228	253	253	283	283	397	506	521
ADS	228	253	253	283	283	397	506	521
L	1156	1225	1285	1358	1408	1496	1666	1796
LS	1293	1414	1474	1563	1613	1681	1917	2047
LB	431	500	560	633	683	771	941	1071
LBS	568	689	749	838	888	956	1192	1322

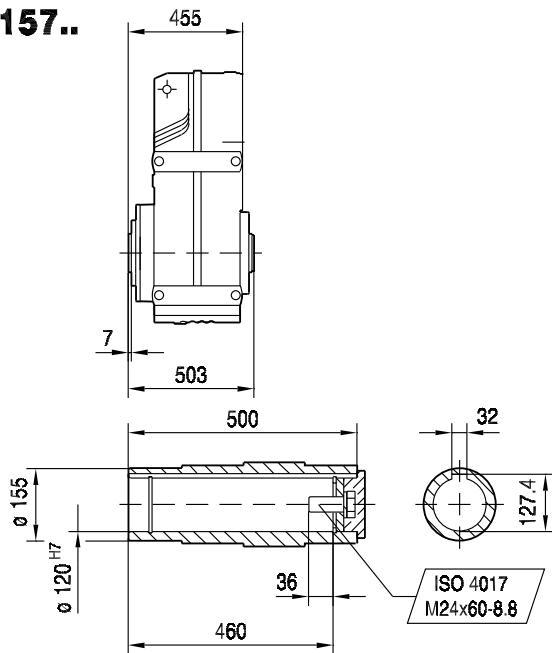


FA157..

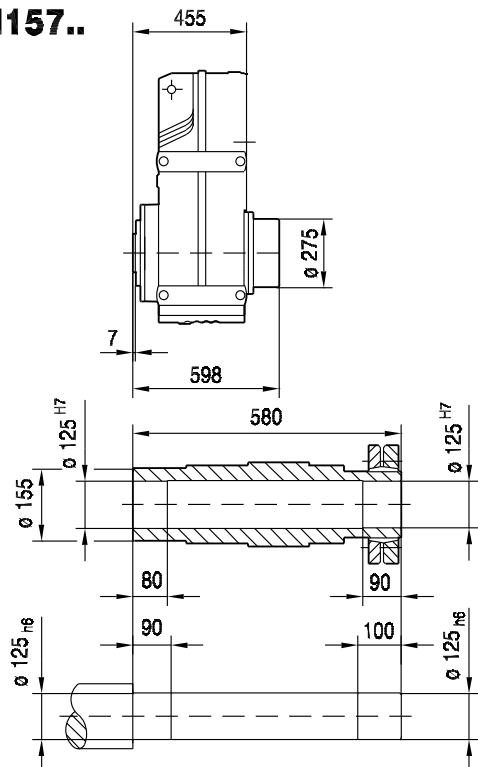
42 118 00 06



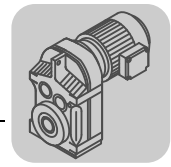
FA157..



FH157..

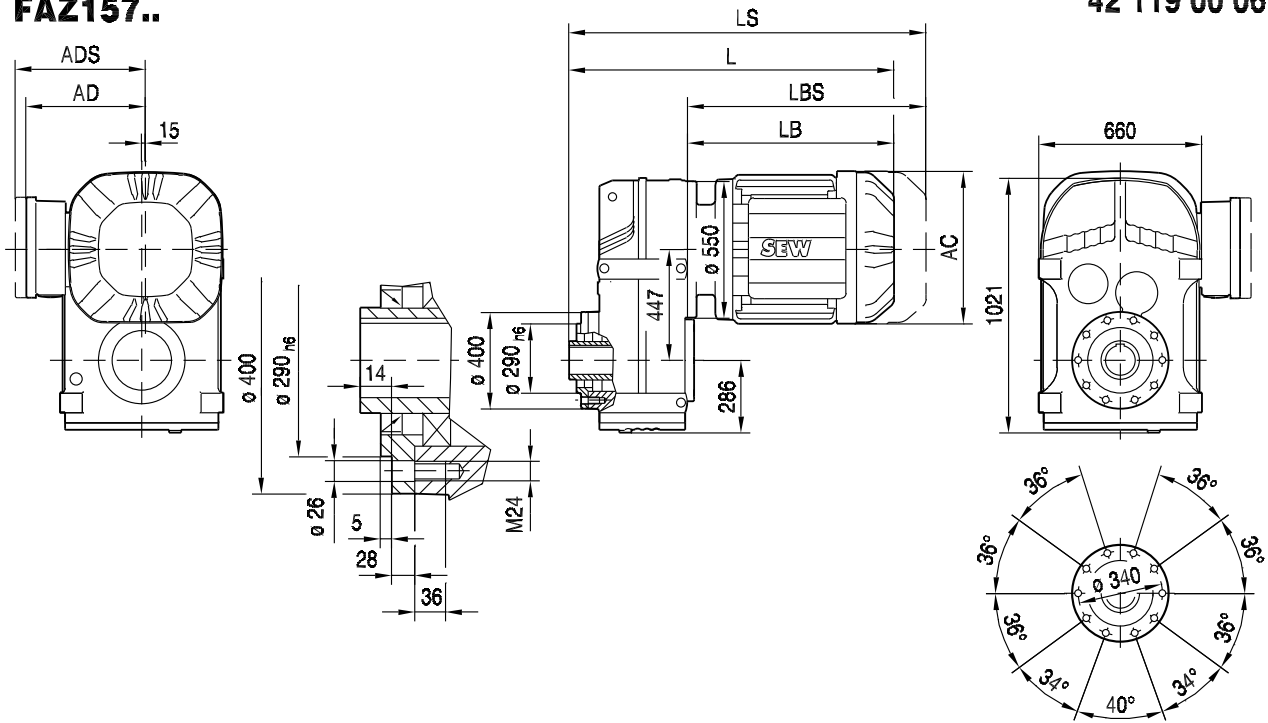


(→ 131)	DR160..	DR180S/M	DR180L/LC	DR225S	DR225M/MC	DV280..	DR315K/S	DR315M/L
AC	270	316	316	394	394	510	624	624
AD	228	253	253	283	283	397	506	521
ADS	228	253	253	283	283	397	506	521
L	886	955	1015	1088	1138	1226	1396	1526
LS	1023	1144	1204	1293	1343	1411	1647	1777
LB	431	500	560	633	683	771	941	1071
LBS	568	689	749	838	888	956	1192	1322



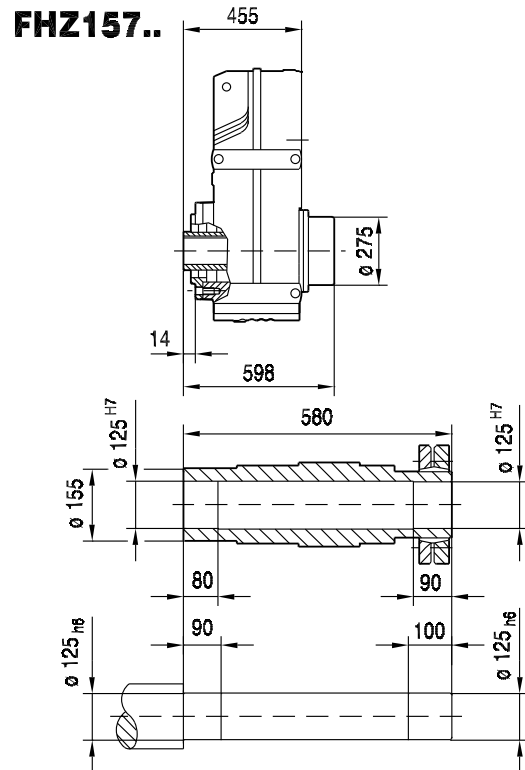
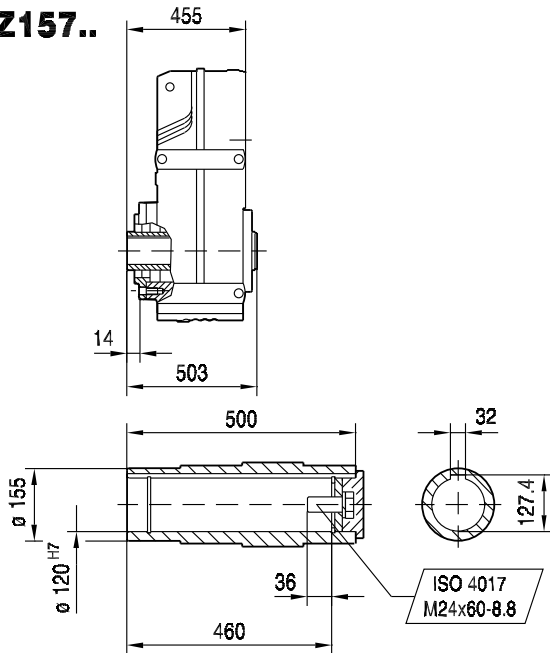
FAZ157..

42 119 00 06^L



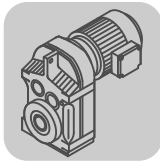
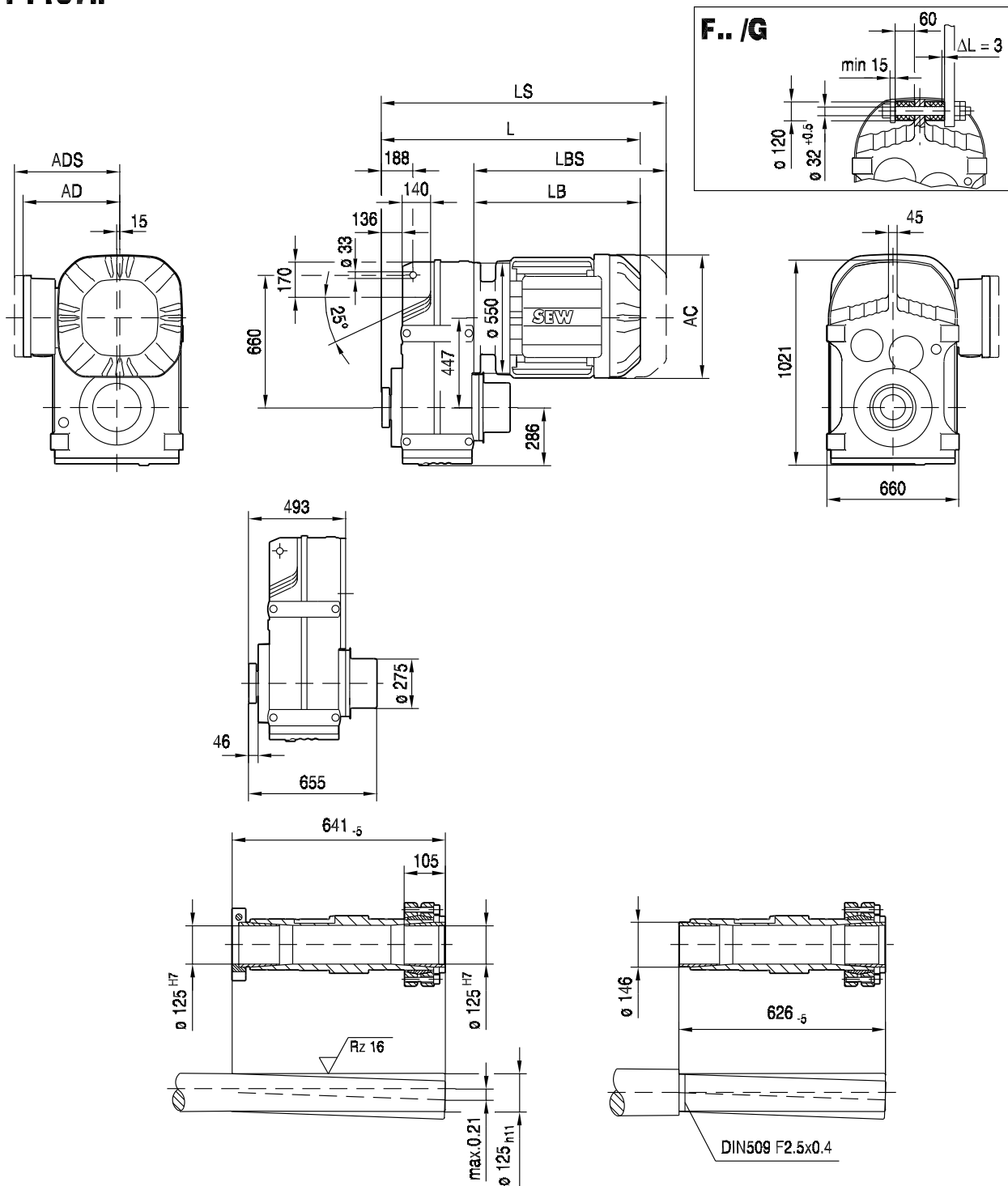
FAZ157..

FHZ157..

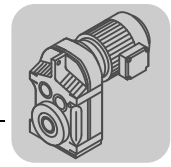


10

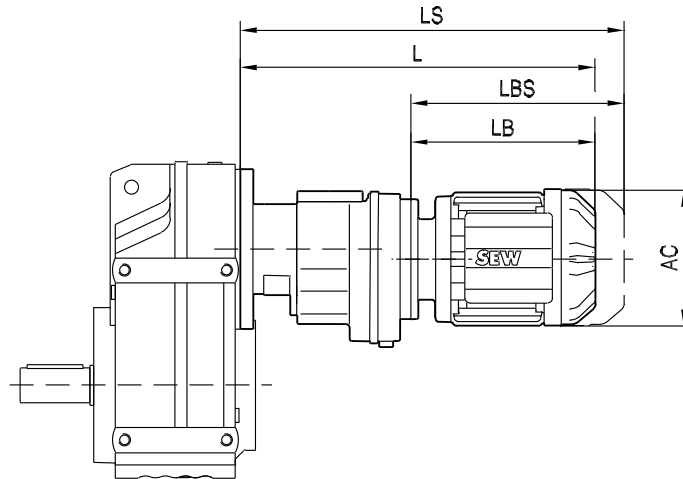
(→ 131)	DR160..	DR180S/M	DR180L/LC	DR225S	DR225M/MC	DV280..	DR315K/S	DR315M/L
AC	270	316	316	394	394	510	624	624
AD	228	253	253	283	283	397	506	521
ADS	228	253	253	283	283	397	506	521
L	886	955	1015	1088	1138	1226	1396	1526
LS	1023	1144	1204	1293	1343	1411	1647	1777
LB	431	500	560	633	683	771	941	1071
LBS	568	689	749	838	888	956	1192	1322

**FT157..****42 120 00 06**

(→ 131)	DR160..	DR180S/M	DR180L/LC	DR225S	DR225M/MC	DV280..	DR315K/S	DR315M/L
AC	270	316	316	394	394	510	624	624
AD	228	253	253	283	283	397	506	521
ADS	228	253	253	283	283	397	506	521
L	924	993	1053	1126	1176	1264	1434	1564
LS	1061	1182	1242	1331	1381	1449	1685	1815
LB	431	500	560	633	683	771	941	1071
LBS	568	689	749	838	888	956	1192	1322



42 121 00 06



(→ 131)		AC	L	LS	LB	LBS
F..27R17	DR63..	132	324	379	149	204
F..37R17	DR63..	132	324	379	149	204
	DR71S..	139	335	403	160	228
F..47R17	DR63..	132	324	379	149	204
	DR71S..	139	335	403	160	228
	DR71M..	139	360	428	185	253
F..57R37	DR63..	132	356	411	191	246
	DR71S..	139	367	435	202	270
	DR71M..	139	392	460	227	295
	DR80S..	156	401	482	236	317
F..67R37	DR63..	132	356	411	191	246
	DR71S..	139	367	435	202	270
	DR71M..	139	392	460	227	295
	DR80S..	156	401	482	236	317
F..77R37	DR63..	132	348	403	191	246
	DR71S..	139	359	427	202	270
	DR71M..	139	384	452	227	295
	DR80S..	156	393	474	236	317
	DR80M..	156	424	505	267	348
F..87R57	DR63..	132	401	456	185	240
	DR71S..	139	412	479	196	263
	DR71M..	139	437	504	221	288
	DR80S..	156	446	527	230	311
	DR80M..	156	477	558	261	342
	DR90M..	179	478	572	262	356
	DR90L..	179	498	592	282	376
	DR100M..	197	528	622	312	406
F..97R57	DR63..	132	396	451	185	240
	DR71S..	139	407	474	196	263
	DR71M..	139	432	499	221	288
	DR80S..	156	441	522	230	311
	DR80M..	156	472	553	261	342
	DR90M..	179	473	567	262	356
	DR90L..	179	493	587	282	376
	DR100M..	197	523	617	312	406
DR100LC..	197	553	647	342	436	

(→ 131)		AC	L	LS	LB	LBS
F..107R77	DR63..	132	426	481	179	234
	DR71S..	139	437	504	190	257
	DR71M..	139	462	529	215	282
	DR80S..	156	470	551	223	304
	DR80M..	156	501	582	254	335
	DR90M..	179	501	595	254	348
	DR90L..	179	521	615	274	368
	DR100M..	197	551	645	304	398
	DR100LC..	197	581	675	334	428
	DR132S..	221	626	738	379	491
	DR132M..	221	676	788	429	541
	F..127R77	DR63..	132	411	466	179
DR71S..		139	422	489	190	257
DR71M..		139	447	514	215	282
DR80S..		156	455	536	223	304
DR80M..		156	486	567	254	335
DR90M..		179	486	580	254	348
DR90L..		179	506	600	274	368
DR100M..		197	536	630	304	398
DR100LC..		197	566	660	334	428
DR132S..		221	611	723	379	491
F..127R87	DR132S..	221	654	766	374	486
	DR132M/MC..	221	704	816	424	536
	DR160..	272	745	882	465	602
F..157R97	DR71M..	139	529	596	204	271
	DR80S..	156	538	619	213	294
	DR80M..	156	569	650	244	325
	DR90M..	179	569	663	244	338
	DR90L..	179	589	683	264	358
	DR100M..	197	619	713	294	388
	DR100LC..	197	649	743	324	418
	DR132S..	221	694	806	369	481
	DR132M/MC..	221	744	856	419	531
	DR160..	272	785	922	460	597
DR180M..	317	871	1070	546	745	