

پمپ دنده‌ای روتوفلوید

ROTOFLUID



kalasanati.com



[@kalasanati.ir](https://www.instagram.com/kalasanati.ir)

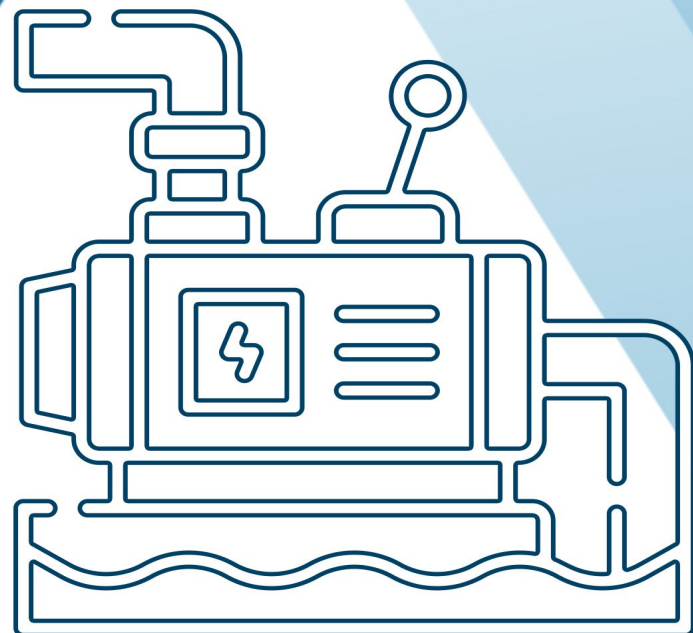


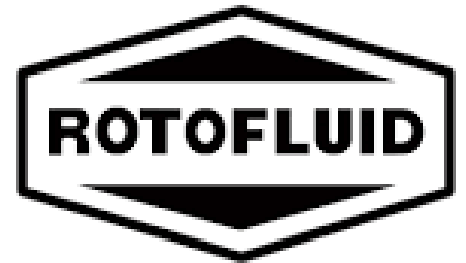
[+982188544230](tel:+982188544230)

Catalog 2021

PUMP

www.kalasanati.com





Rotary Gear Pumps



Pump

Kalasanati.com



Kalasanati.com



Rotary Gear Pumps
SINCE : 1993

ROTARY GEAR PUMPS

Now for all
viscous & semi viscous
liquid application

SERIES :



FT



FTRN/FTRB



FTSS



FIG



FTMS



FTX



FTMP



FTBX/FTNX

*“Let Our
Quality Speak
For Itself”*



Fluid Tech Systems

Ahmedabad - 382 430. (Guj.) INDIA



Kalasanati.com

ROTARY GEAR PUMPS SERIES



Series : FT

This series contains general purpose foot mounted pumps with female threading at inlet & outlet ports. **Material of Construction • Pump Body** : Graded CI Casting. **Gears** : Alloy Steel - single Helical. **Shaft** : Alloy steel - Hardened & ground. **Bush** : Self Lubricated Sintered Bronze Bushes. **Sealing** : Oil Seal. **Size** : ¼" to 3" BSP (9 different sizes) **Range** : 5 to 500 LPM. **Liquid** : All General Purpose Viscous fluid like Lub oil, Paints, edible oil etc. The pump is made to provide sturdy design and construction to ensure long trouble free life with best performance. Built-in pressure Maximum working pressure is 10 kg/cm².

Series : FTRN/FTRB

This series contains general purpose foot mounted pumps with flange mounting at inlet & outlet ports. **Material of Construction • Pump Body** : Graded CI Casting. **Gears** : Alloy Steel - double Helical - H. Nitrided. **Shaft** : Alloy steel - case Hardened & ground. **Bearings & Bushes** : Needle Roller bearing (FTRN) Bronze Bushes (FTRB). **Sealing** : Oil Seal/Teflon base 'Z' pack. **Size** : ½" to 6" (8 different sizes) **Range** : 0.50 to 200 m³/Hr. **Liquid** : Crude oil, dirty oil, kerosene, LDO, HSD, Wood Pulp, Furnace oil etc. Viscosity up 1,00,000 SSU. temperature up to 200°C. In built Pressure Relief valve is provided to achieve maximum working pressure 10 kg/cm².



Series : FTSS

This series contains Special purpose foot mounted pumps with female threading at inlet & outlet ports. **Material of Construction • Pump Body** : SS-316 (investment Casting). **Gears** : AISI - SS 316 (H. Nitrided) - single Helical Gear. **Shaft** : AISI - SS 316 (H. Nitrided & Ground). **Bush** : Teflon coated imported 'DU' Bushes. **Sealing** : Teflon base 'Z' pack. **Size** : ¼" to 2½" (6 different sizes) **Range** : 8 to 300 LPM. **Liquid** : All food Grade products like Ghee, Butter, etc., for pharmaceutical industries to handle glycol, Glycerine etc. For chemical Industries to handle corrosive viscous chemicals. The Pump is very versatile, compact, easy cleanable and operates at maximum working pressure - 10 kg/cm².

Series : FIG

This series contains Fuel pressuring internal gear type foot mounted pumps with flange threading at inlet & outlet ports. **Material of Construction • Pump Body** : Graded CI Casting. **Shaft Rotor** : Alloy Steel - H. Nitrided & Ground. **Idler Gear** : Alloy Steel - H. Nitrided. **Sealing** : Mechanical Sealing. **Size** : ½" to ¾" BSP **Range** : 60 to 2500 LPH. **Liquid** : Fuel oil boilers burners. In built pressure relief valve is provided & pump Operates up to maximum temperature 200°C (Fuel) and maximum working pressure 35 kg/cm².



Series : FTMS / FTM

This series contains foot mounted Special purpose pumps having flange mounting at inlet & outlet ports. **Material of Construction • Pump Body** : SS-316 (FTMS) / Graded CI casting (FTM). **Gears** : SS-316 Double Helical - H. Nitrided (FTMS) / SS-316 Single Helical - H. Nitrided (FTM). **Shaft** : SS - 316 - H. Nitrided & Ground. **Bush** : Teflon coated imported 'DU' Bushes (FTMS) / Wear Plaste cum bush bronze (FTM). **Sealing** : Teflon base 'Z' pack. **Size** : ½" to 6" BSP **Range** : 12 to 2000 LPM. **Liquid** : Liquids used in boilers & burners, Crude oil, Tar etc. FTMS Series contains in built pressure Relief valve. The pumps are used to handle corrosive, Thinner or thicker liquids having lesser lubricating value. The Maximum working pressure is 10 kg/cm².

Series : FTX

This series contains foot mounted with 'L' bracket & Flange mounted general purpose pumps having female threading at inlet & outlet ports. **Material of Construction • Pump Body** : Graded CI Casting. **Gears** : Alloy Steel - single Helical. **Shaft** : Alloy Steel - Hardened & Ground. **Bush** : Self Lubricated Sintered Bronze Bushes. **Sealing** : Oil Seal. **Size** : ¼" to 2½" BSP (8 different sizes) **Range** : 2.5 to 350 LPM. **Liquid** : All General Purpose Viscous fluid like Lub oil, Paints, transformer oil, LDO etc. The Maximum working pressure is 10 kg/cm².



Series : FTMP

This series contains flange mounted and shaft mounted pumps having female threading at inlet & outlet ports. **Material of Construction • Pump Body** : Graded CI Casting. **Rotor** : Sintered CI Casting. **Shaft** : Alloy Steel. **Sealing** : Oil Seal. **Size** : ¼" to ¾" BSP (8 different size) **Range** : 0.5 to 40 LPM at 1500 RPM (40°C) **Liquid** : Lubricating oil. The Pumps are designed to transfer the lubricating oil with maximum working pressure is 10 kg/cm².

Series : FTBX/FTNX

This series contains special purpose foot and flange mounted pumps with flange and thread end at inlet & outlet ports. **Material of Construction • Pump Body** : Graded CI Casting. **Gears** : Alloy Steel - double Helical - H. Nitrided. **Shaft** : Alloy steel - case Hardened & ground. **Bearings & Bushes** : Needle Roller bearing (FTNX) Bronze Bushes (FTBX). **Sealing** : Oil Seal/Teflon base 'Z' pack. **Size** : ½" to 4" (6 different sizes) **Range** : 0.30 to 54 m³/Hr. **Liquid** : Crude oil, dirty oil, kerosene, LDO, HSD, Wood Pulp, Furnace oil etc. Viscosity up 1,00,000 - SSU. temperature - up to 200°C. In built Pressure Relief valve is provided to achieve maximum working pressure - 21 kg/cm².



Mfgd. by :



Fluid Tech Systems

Ahmedabad - 382 430. (Guj.) INDIA

Website : www.rotofluidpumps.com

E-mail : info@rotofluidpumps.com, rotofluid@dataone.in

Distributor :

Series : FTSS



Kalasanati.com



Rotary Gear Pumps
SINCE : 1993

Perfect Solution for Transfer of Corrosive, Hygienic & Viscous Liquid



Fluid Tech Systems

Ahmedabad - 382 430. (Guj.) INDIA

*“Let Our
Quality Speak
For Itself”*



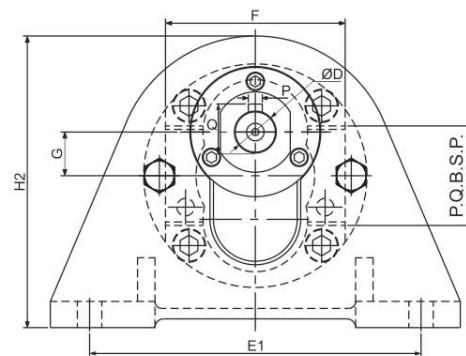
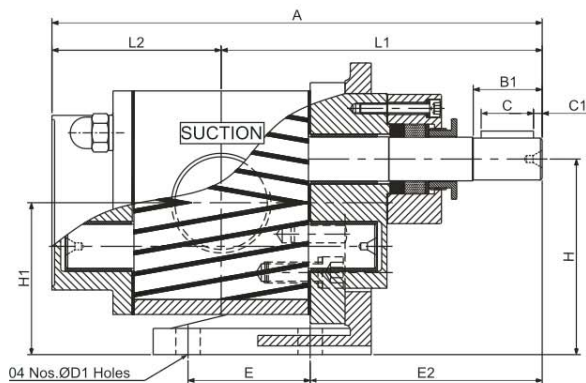
Kalasanati.com

ADVANCED TECHNOLOGY FOR PUMPING VISCOUS LIQUID

Fluid Tech Systems offers "ROTOFLUID" brand gear pump model "FTSS" which is self priming bi-directional, positive displacement rotary pump in all stainless steel (SS-316) investment casting construction with nitrided gear/shaft & dry - teflon coated DU bush bearing requiring no lubrication. These pump in three piece construction are easily cleanable and maintainable. The back cover can simply be removed by four dom nut or the right angle mounting brackets facilitate foot mounting of the pump on base plate with electric motor of appropriate ratings.

MATERIAL OF CONSTRUCTION

★ Pump Body : CF8M - S.S.316	★ R.H.& L.H. Gear : AISI - S.S.316	★ Dom Nut : AISI - S.S.316
★ Front Cover : CF8M - S.S.316	★ Rotor / Stator Shaft : AISI - S.S.316	★ Sealing : "Z" Pack teflon
★ Back Cover : CF8M - S.S.316	★ Bush Bearings : Teflon coated 'DU'	★ Packing : Teflon Sheet
★ Gland Cover : CF8M - S.S.316	★ Mounting Bracket : C.I.Gr. - 20 IS 210	★ Key for Coupling : AISI S.S.316



MODEL & POWER CHART

PUMP MODEL FTSS	SUCTION & DELIVERY	CAPACITY at 1440 RPM			POWER REQ. NO LOAD VISCIOUS H.P.at			Unit H.P Per Kg. press	PUMP DIMENSION													WT. OF PUMP IN KG.	
		LPM	US GPM	M3/hr	200 CST	500 CST	750 CST		OVER ALL					MOUNTING & SHAFT									
									A	F G	H2	L1	L2	E	E1	E2	H	H1	D D1	C C1	P Q		B1
025	1/4"X1/4"	8.3	2.2	0.5	0.20	0.25	0.35	0.02	129	54 12.5	101	94	35	40	120	82	63	50.5	11.5 8	17 3	4 13	25	2.00
040	3/8"X3/8"	16.6	4.4	1.0	0.35	0.40	0.55	0.04	134	61	112	98	36	50	120	88	71	57	11.5	17	4	25	3.00
050	1/2"X1/2"	25	6.6	1.5	0.40	0.50	0.70	0.06	146	14	112	103	41	50	120	88	71	57	8	3	13	25	3.50
075	3/4"X3/4"	33.3	8.8	2.0	0.45	0.55	0.90	0.09	160	72.5	128	123	46	55	140	92	90	73	14	25	5	35	4.50
100	1"X1"	50	13.2	3.0	0.50	0.60	1.0	0.13	177	17	128	115	52	55	140	92	90	73	10.5	3	16	35	5.00
125	1 1/4"X1 1/4"	100	26.4	6.0	0.65	0.85	1.25	0.28	210	90	149	143	66	50	155	111	100	79	18	30	6	38	7.00
150	1 1/2"X1 1/2"	125	33.0	7.5	0.75	0.95	1.50	0.35	225	21	149	151	73	50	155	111	100	79	12	3	20.5	38	10.50
200	2"X2"	150	39.6	9.0	0.90	1.15	1.75	0.45	251	103	167	162	85	70	190	131	112	87	24	30	8	40	20.50
200		200	52.8	12.0	1.00	1.25	2.15	0.60	281	25	167	179	97	70	190	131	112	87	14	5	27	40	24.00
250	2 1/2"X2 1/2"	250	66.0	15.0	1.20	1.40	2.35	0.65	299	122	197	206	93	85	200	161	132	102	28	40	8	50	35.00
250		300	79.25	18.0	1.40	1.65	2.50	0.77	319	30	197	218	101	85	200	161	132	102	16	5	32	50	40.00

SPECIAL NOTE

For calculating the power requirement at duty point, multiply the duty point pressure with unit horse power & add no load viscous power of appropriate viscosity, provide safety margin before fixing the rating of the prime mover. For higher viscosity further margin may be kept or the manufacturer may be consulted. All sizes of "FTSS" pumps are designed to run at 1440 RPM up to viscosity of 500 CST. For small size pump up to 1" same can be safely run at 1440 RPM even at higher viscosity up to 1000 CST with additional horse power. For sizes above 1" reduce the speed to 960 RPM for viscosity up to 1000 CST. For higher viscous liquids, consult the manufacturer to avoid cavitation & over loading problem.

APPLICATION

This compact and efficient SS pump can be used for handling viscous food products like Ghee, Butter, Fruit pulp, Vegetable sauce, Starch etc. They are also used in Pharmaceutical industries for handling sugar solution, Glycerine, glycol etc. In chemical industries corrosive viscous chemicals can be easily handled with this pump most effectively.

Mfgd. by :

Fluid Tech Systems



Ahmedabad - 382 430. (Guj.) INDIA
 Website : www.rotofluidpumps.com
 E-mail : info@rotofluidpumps.com, rotofluid@dataone.in

Distributor :



kalasanati.com
Training, Selecting, Purchasing

info@kalasanati.com
Tel: 02191004647
